

PHOTONTEK

HORTICULTURAL LIGHTING

X 465W PRO

PHOTONTEK FULL-SPECTRUM LED

MANUAL

ENGLISH • SPANISH • FRENCH



5 YEAR WARRANTY

X 465W PRO

PHOTONTEK FULL-SPECTRUM LED

MANUAL • ENGLISH

TABLE OF CONTENTS

- 1. INTRODUCTION**
- 2. PRODUCT DESCRIPTION**
- 3. PRODUCT INFORMATION AND SPECIFICATIONS**
 - 3.1 General product information
 - 3.2 Technical Specifications
 - 3.3 Spectra
 - 3.4 Light distribution curve
 - 3.5 Environment
 - 3.6 Legal
- 4. SAFETY RECOMMENDATIONS AND WARNINGS**
- 5. CONTENTS**
- 6. INSTALLATION**
 - 6.1 Fixture assembly & installation
 - 6.1.1 Assembling the frame
 - 6.1.2 Connecting the driver
 - 6.1.3 Connecting the LED light bars
 - 6.2 Replacing and changing light bars
 - 6.3 Installing the fixture
 - 6.4 Connecting the manual dimmer control
 - 6.5 Connecting fixtures in series for external control
 - 6.6 Connecting the LED fixture to the mains
- 7. PRECAUTIONS WHEN USING THE LED FIXTURE**
- 8. INSPECTION, MAINTENANCE AND REPAIR**
- 9. STORAGE AND DISPOSAL**
- 10. WARRANTY**

1. INTRODUCTION

Thank you for purchasing the PhotonTek X 465W Pro linear multi-light bar LED fixture. This manual describes how to install and use the PhotonTek fixture; please read this manual thoroughly before attempting to install or operate any PhotonTek X Series system

2. PRODUCT DESCRIPTION

The PhotonTek X 465W Pro LED is an electronic horticultural LED fixture using a linear array design with five LED light bars. The PhotonTek X 465W Pro is a highly efficient high-intensity full-cycle grow lighting solution for commercial horticulture cultivation. The PhotonTek X 465W Pro has the power and flexibility to scale from vegetative growth to higher light intensities in bloom. In this manual the Photontek X 465W Pro LED will be referred to as: "the LED fixture".

3. PRODUCT INFORMATION AND SPECIFICATIONS

3.1 General Product Information

PRODUCT NAME	Photontek X 465W Pro LED
MANUFACTURER	PhotonTek Horticultural Lighting
PRODUCT CODE	PTEKLED019
EAN	5060560030980
PLUG TYPE	NEMA 5-15P - 120V mains supply

3.2 Technical Specifications

PARAMETER	VALUE	PARAMETER	VALUE
INPUT VOLTAGE	120 - 277V, 50/60Hz AC	Waterproof/Dustproof	IP65 – Fixture IP67 – Driver
INPUT POWER	465W	Dimensions	39.29" x 35.43" x 3.23"
INPUT CURRENT @ 120V, 100% O/P	4.5A max	Weight	24.25 lbs
@ 208V, 100%	2.6A max	Life Span	>50000H
@ 240V, 100%	2.2A max	Working Temperature LED Driver Attached	-20° -- +40°C
@ 277V, 100%	1.9A max	Working Temperature LED Driver Remote 5m ext	0° -- 40°C
POWER FACTOR	>0.97	Working Humidity	20% - 90%
PPF	1256 μmol/s	Manual dim/External lighting controller	0-10V Analog Protocol
EFFICACY	2.7 μmol/J	Beam angle	120°
SPECTRUM	Full Spectrum		
LIGHT SOURCE	Phillips LUMILEDS & Osram diodes		

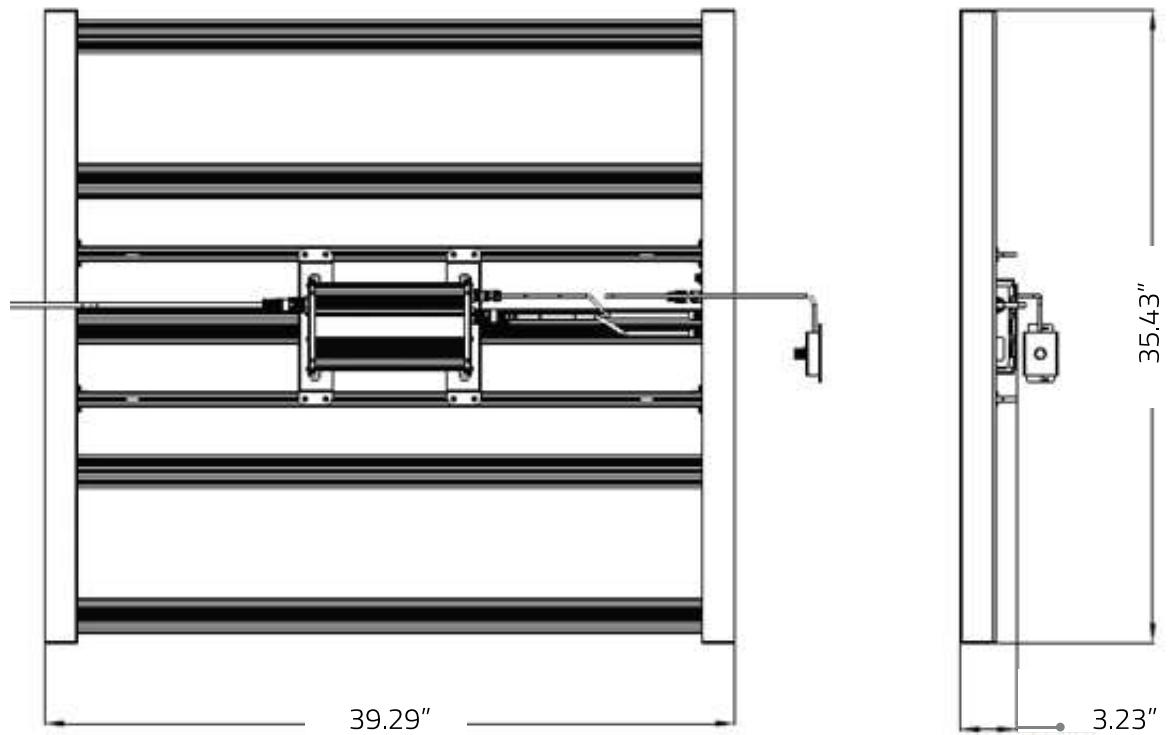


Fig1. Fixture dimensions.

3.3 Spectra

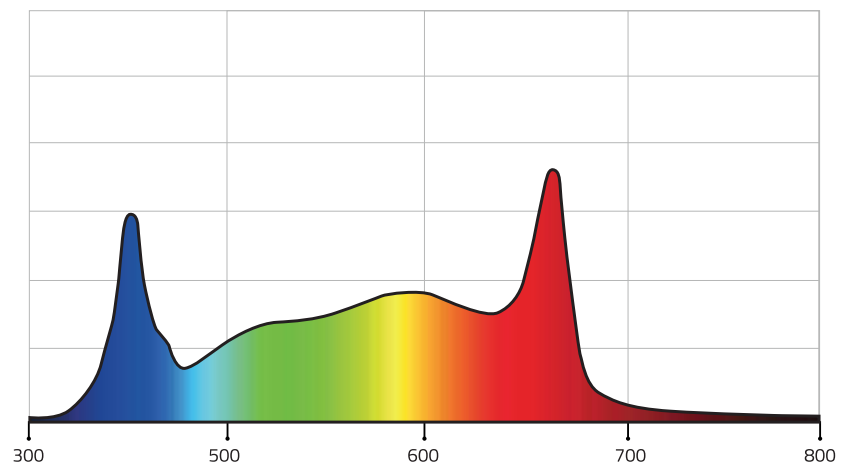


Fig2. Full Spectrum.

3.4 Light distribution curve

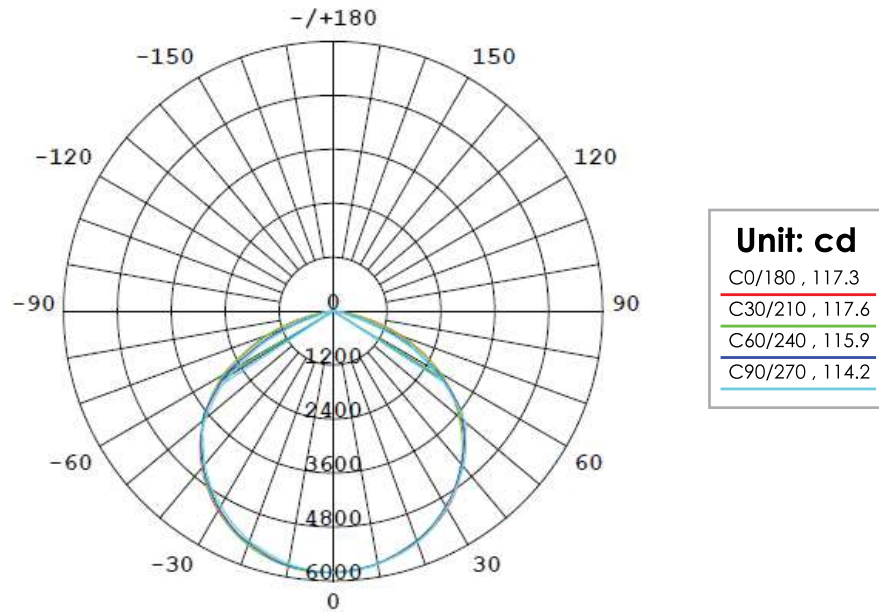


Fig3. Light distribution plot.

3.5 Environment

The LED fixture is intended to be used in climate-controlled grow rooms and indoor farms. The product may be used in damp environments but may not be used in wet environments or outdoors. The product will operate in ambient temperatures from -20°C to 40°C but will function at optimal level between 20°C to 30°C. The product will operate in 20% – 90% humidity, non-condensing.

3.6 Legal

This product is FCC, IC, CSA & CE certified compliant with LVD and EMC directive test standards.

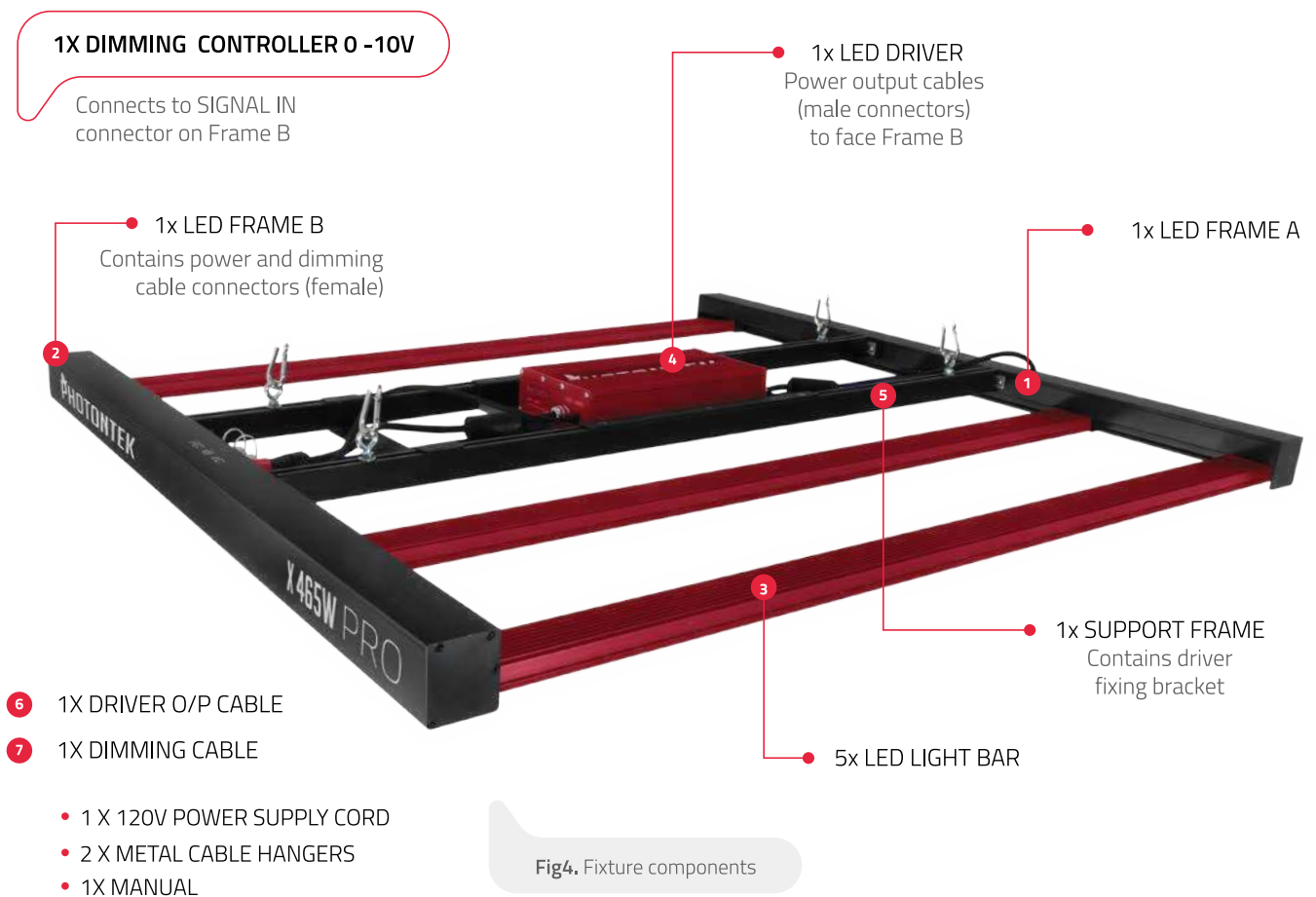
4. SAFETY RECOMMENDATIONS AND WARNINGS

WARNING! Carefully read the warnings below before using or working with the product!

- Always adhere to the local rules and regulations when installing or using the LED fixture.
- Do not open or disassemble the LED fixture as it contains no serviceable parts inside. Opening or modifying the LED fixture can be dangerous and will void the warranty.
- Do not use the LED fixture when either the LED fixture or its power cord are damaged. Replace the power cord with correctly rated cord only.
- Modifications to the cabling can lead to unwanted electromagnetic effects which may make the product not comply with legal requirements.
- Do not expose the LED fixture to:
Condensing humidity, heavy mist or direct spray;
Ambient temperatures outside the specified range;
Dust and contamination;
Direct sunlight during use or HID light that may heat up the driver.
- Always disconnect the LED fixture from mains before performing any maintenance.
- Always allow for a cool down period of at least 20-30 minutes before touching the LED light bars. Touching the LED bars when the fixture is lit or immediately after may result in burns!
- Natural convection removes heat away from the heatsink. In order for the system too properly cool itself, at least 5cm of space is required between the fixture and the roof of your grow area.

- Do not use abrasive materials or aggressive cleaning agents to clean the LED fixture as this may damage the secondary optics. Instead use a clean dry fabric/cloth.
- Do not use the LED fixture near flammable, explosive or reactive substances. The LED fixture can reach temperatures of 40°C.
- Do not use sulphur vaporizers or water misters.
- The installation and use of the LED fixture is the responsibility of the end user. Incorrect use or installation can lead to failure and damage to the LED fixture. Damage to the LED fixture and electronic circuitry as a result of incorrect installation and use revokes the warranty.

5. CONTENTS



6. INSTALLATION

WARNING! Mounting and installing the LED fixture must be in accordance with the applicable local laws and regulations.

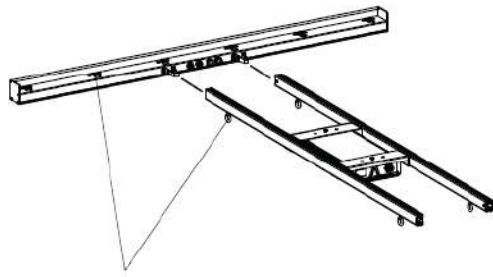
WARNING! The installer is responsible for correct and safe installation.

WARNING! Ensure the local cabling can support the voltage and current requirements of the LED fixture.

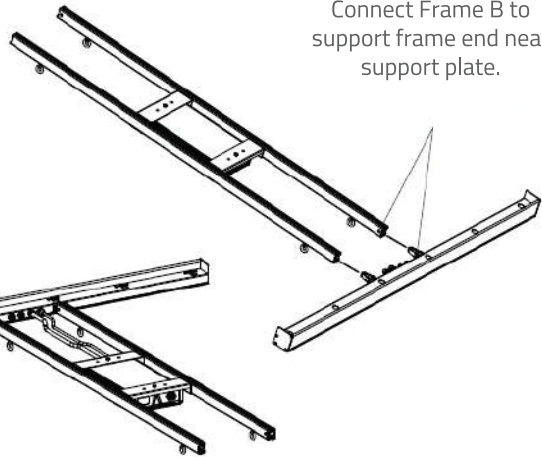
WARNING! Avoid coiled cords and keep mains leads separated to help prevent electromagnetic interference.

WARNING! Do not connect or disconnect the LED fixture under load.

6.1 Fixture assembly & installation



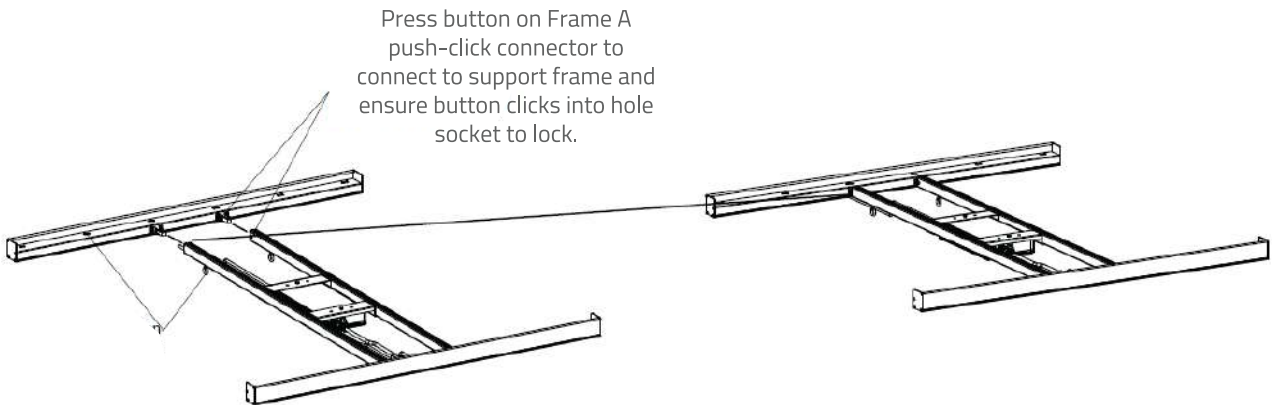
Connect Frame A and B to the support frame by pressing button on frame connector and inserting into support frame socket and lock.



Connect Frame B to support frame end near support plate.

Note the direction when installing; the driver fixing bracket is on top when fixture is hung. Press button on the frame push-click connector to connect and ensure button pops up in hole socket to lock.

6.1.1 Assemble the frame



Press button on Frame A push-click connector to connect to support frame and ensure button clicks into hole socket to lock.

Note the direction when installing; the driver tray is on top when the fixture is hung.

6.1.2 Connect the driver



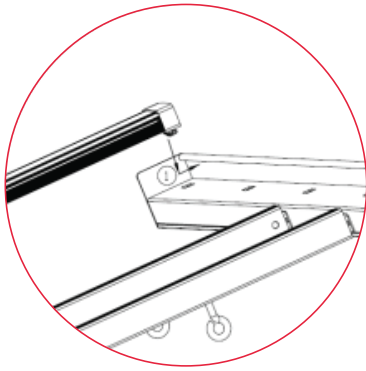
Place LED driver on mounting bracket and fix with retention screws through bracket into base plate.



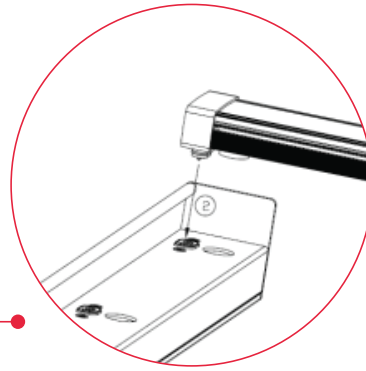
Connect driver outputs to input connector cables on Frame B.

Using PhotonTek 5m LED driver extension cords (sold separately), the driver can be positioned remotely for greater flexibility.

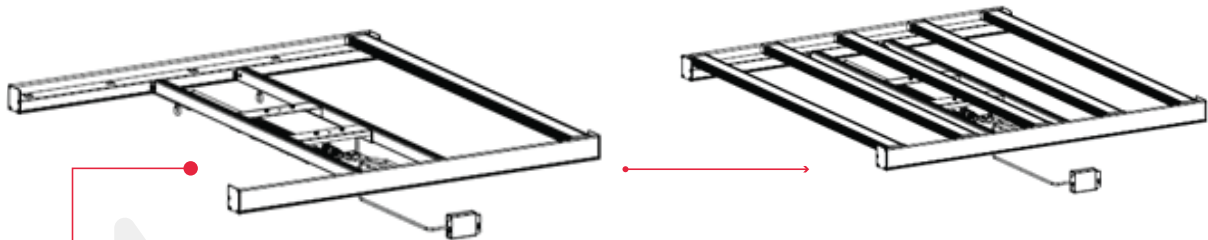
6.1.3 Connect the LED light bars



Ensure the driver is secured and flip the fixture over so the driver is now underneath. Insert the end of the light bar with the hook into the square hole in Frame A



Then insert the other end; align the round hole on Frame B with the light bar's magnetic end and insert male pin into female socket. Ensure magnetic connection is secure.



Assemble the rest of the light bars into the fixture frame as shown in the figure above.

6.2 Replacing and changing light bars

Individual 93W light bars are available to purchase as replacements or with different spectral ratios to adjust fixture spectral output.

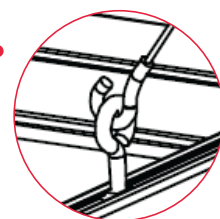
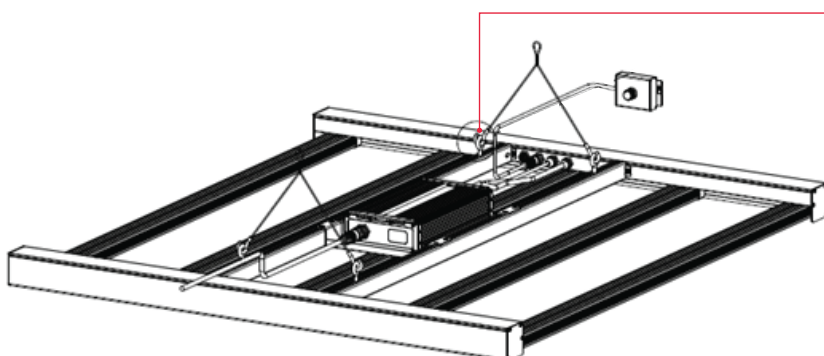
The X 465W Pro fixture's modular design has an intelligent LED driver which can autosense and decrease or increase power to match the amount of 93W light bars installed on the fixture.

WARNING! At least one light bar must be installed in the fixture before switching on.

6.3 Installing the fixture

WARNING! Mount the system to something that can hold the weight of the LED fixture.

Ensure all light bars are installed correctly and are secure. Carefully turn the fixture over and attach the metal cable hangers to the mounting hooks. Hang the fixture in required position and height. For optimal performance; position fixture 30 - 50cm above plant canopy. Ensure the fixture is hung horizontally.



Attach metal cable hangers to mounting hooks

6.4 Connecting the Manual Dimmer Control

The dimmer control is connected to the Dimming IN connector on the fixture. This enables light intensity (PPF level) to be adjusted according to requirement. The LED fixture light intensity can be adjusted without changing spectral power distribution or losing efficiency.



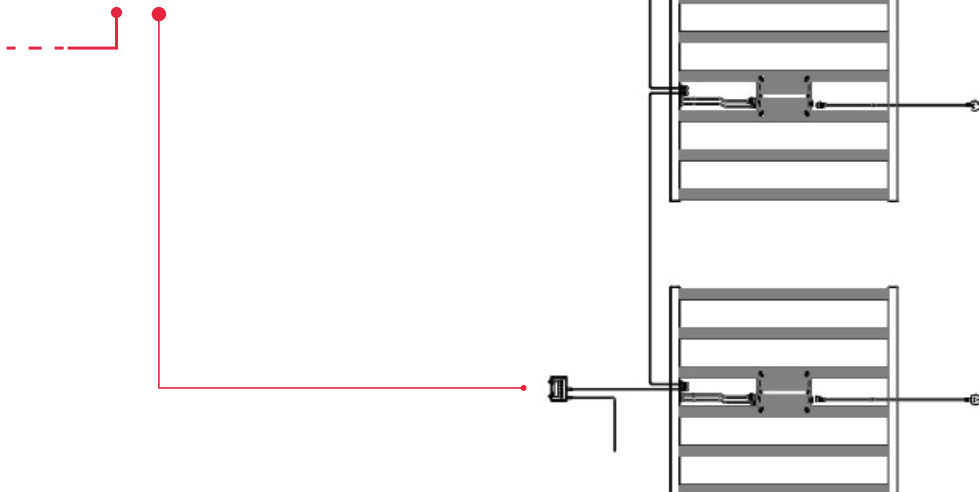
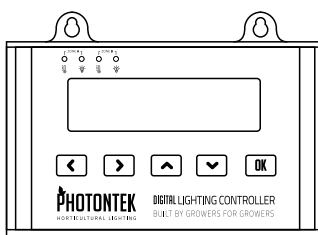
Connect manual dimmer or lighting controller signal cord to 'SIGNAL IN' connector.

6.5 Connecting Fixtures in series for External Control

For detailed instructions please refer to the PhotonTek Digital Lighting Controller manual.

The X 465W Pro uses 0-10V signal protocol for control. Position and hang each fixture appropriately.

- Connect controller output signal wire to fixture 1 SIGNAL in connector. Connect signal wire from fixture 1 SIGNAL OUT connector to fixture 2 SIGNAL IN connector.
- Continue to connect fixtures in series for up to 100 fixtures per controller, see figure below..



6.6 Connecting the LED fixture to the mains

WARNING! Make sure mains power is switched off.

WARNING! Ensure the power supply cord is not coiled and does not touch any hot surfaces.

WARNING! Connect the cabling according to local rules, safety regulations and electrical code.

WARNING! Ensure external switching gear can cope with the inrush current of the LED fixture. Always use a double pole contactor suitable for switching a capacitive load. Never use household timers to switch the LED fixture!

WARNING! Ensure power cord rating matches mains supply voltage.

- The LED fixture is supplied with a 120V power cord for 120V power supply. 240V and 277V power cords are not included and must be purchased separately.
- Select the correctly rated cord for your mains power supply and connect driver power input socket to switching gear/power supply.
- Switch on mains power.

WARNING! Do not connect or disconnect the LED fixture under load.

7. PRECAUTIONS WHEN USING THE LED FIXTURE

WARNING! Always ensure at least one light bar is connected to the fixture before switching on. The X 465W Pro has an intelligent LED driver which will increase or decrease power to match the amount of light bars connected to the system.

WARNING! Always wait 20 – 30 minutes for the LED light bars to cool down.

8. INSPECTION, MAINTENANCE AND REPAIR

WARNING! Disconnect the LED fixture from mains before performing any maintenance or repairs.

WARNING! Do not connect or disconnect the LED fixture under load

WARNING! Do not open or disassemble the LED fixture, it contains no serviceable parts inside. Opening the LED fixture can be dangerous and will void the warranty.

WARNING! Always wait 20 – 30 minutes for the LED light bars to cool down.

CAUTION! Do not clean the LED fixture with detergents, abrasives or other aggressive substances.

- Regularly check the LED fixture for dust or dirt build up. Clean if necessary. Contamination may cause overheating and decreased performance.
- Clean the outside of the LED fixture using a dry or damp cloth.
- Regularly check the cords of the LED fixture to ensure it is undamaged.

9. STORAGE AND DISPOSAL

Store the LED fixture in a dry and clean environment, with an ambient temperature of -25°C to 55°C. The product must not be discarded as unsorted municipal waste but must be collected separately for the purpose of treatment, recovery and environmentally sound disposal.

10. WARRANTY

PhotonTek warrants the mechanical and electronic components of their product to be free of defects in material and workmanship if used under normal operating conditions for a period of five (5) years from the original date of purchase. If the product shows any defects within this period and that defect is not due to user error or improper use PhotonTek shall, at its discretion, either replace or repair the product using suitable new or reconditioned products or parts. In case PhotonTek decides to replace the entire product, this limited warranty shall apply to the replacement product for the remaining initial warranty period, i.e. five (5) years from the date of purchase of the original product. For service; return the product to your shop with the original sales receipt.



X 465W PRO

PHOTONTEK FULL-SPECTRUM LED

MANUAL • ESPAÑOL

TABLA DE CONTENIDO

- 1. INTRODUCCIÓN**
- 2. DESCRIPCIÓN DEL PRODUCTO**
- 3. INFORMACIÓN Y ESPECIFICACIONES DEL PRODUCTO**
 - 3.1 Información General del Producto
 - 3.2 Especificaciones Técnicas
 - 3.3 Espectros
 - 3.4 Curva de Distribución de Luz
 - 3.5 Medio Ambiente
 - 3.6 Legal
- 4. RECOMENDACIONES DE SEGURIDAD Y ADVERTENCIAS**
- 5. CONTENIDO**
- 6. INSTALACIÓN**
 - 6.1 Montaje e Instalación de Accesorios
 - 6.1.1 Ensamblando el Marco
 - 6.1.2 Conectar el Controlador
 - 6.1.3 Conecte las barras de luz LED
 - 6.2 Sustitución y Cambio de Barras de Luz
 - 6.3 Instalación de la luminaria
 - 6.4 Conexión del Control de Atenuación Manual
 - 6.5 Conexión de Luminarias en serie para Control Externo
 - 6.6 Conexión de la Luminaria LED a la Red Eléctrica
- 7. PRECAUCIONES AL USAR EL DISPOSITIVO LED**
- 8. INSPECCIÓN, MANTENIMIENTO Y REPARACIÓN.**
- 9. ALMACENAMIENTO Y ELIMINACIÓN**
- 10. GARANTÍA**

1. INTRODUCCIÓN

Muchas gracias por comprar la luminaria LED de barra de luz múltiple lineal PhotonTek X 465W Pro. Este manual describe cómo instalar y usar la luminaria PhotonTek; por favor lea este manual detenidamente antes de intentar u operar cualquier sistema de la serie PhotonTek.

2. DESCRIPCIÓN DEL PRODUCTO

El PhotonTek X 465W Pro LED es un dispositivo LED electrónico para horticultura que utiliza un diseño de matriz lineal con cinco barras de luz LED. El PhotonTek X 465W Pro es una solución de iluminación para cultivos de ciclo completo de alta eficiencia para la horticultura comercial. El PhotonTek X 465W Pro tiene el poder y la flexibilidad de escalar desde el crecimiento vegetativo hasta mayores intensidades de luz en la floración.

En este manual, el Photontek X 465W Pro LED se le denominará como: "la luminaria LED".

3. INFORMACIÓN Y ESPECIFICACIONES DEL PRODUCTO

3.1 Información General del Producto

NOMBRE DEL PRODUCTO	Photontek X 465W Pro LED
FABRICANTE	Iluminación Hortícola PhotonTek
CÓDIGO DE PRODUCTO	PTEKLEDO19
EAN	5060560030980
TIPO DE ENCHUFE	NEMA 5-15P - Fuente de alimentación de 120V

3.2 Especificaciones Técnicas

PARÁMETRO	VALOR	PARÁMETRO	VALOR
VOLTAJE DE ENTRADA	120 - 277V, 50/60Hz AC	Impermeable / A prueba de polvo	IP65 – Luminaria IP67 - Conductor
POTENCIA DE ENTRADA	465W	Dimensiones	39.29" x 35.43" x 3.23"
CORRIENTE DE ENTRADA @ 120V, 100% O/P	4.5A max	Peso	24.25 lbs
@ 208V, 100%	2.6A max	Esperanza de Vida	>50000H
@ 240V, 100%	2.2A max	Temperatura de Funcionamiento Controlador LED adjunto	-20° -- +40°C
@ 277V, 100%	1.9A max	Temperatura de Funcionamiento Controlador LED remoto 5m ext	0° -- 40°C
FACTOR DE POTENCIA	>0.97	Humedad de Trabajo	20% - 90%
PPF	1256 µmol/s	Atenuador manual/ controlador de iluminación externa	0-10V Protocolo Analógico
EFICACIA	2.7 µmol/J	Ángulo de Haz	120°
ESPECTRO	Espectro Completo		
FUENTE DE LUZ	Phillips LUMILEDS & Osram diodes'		

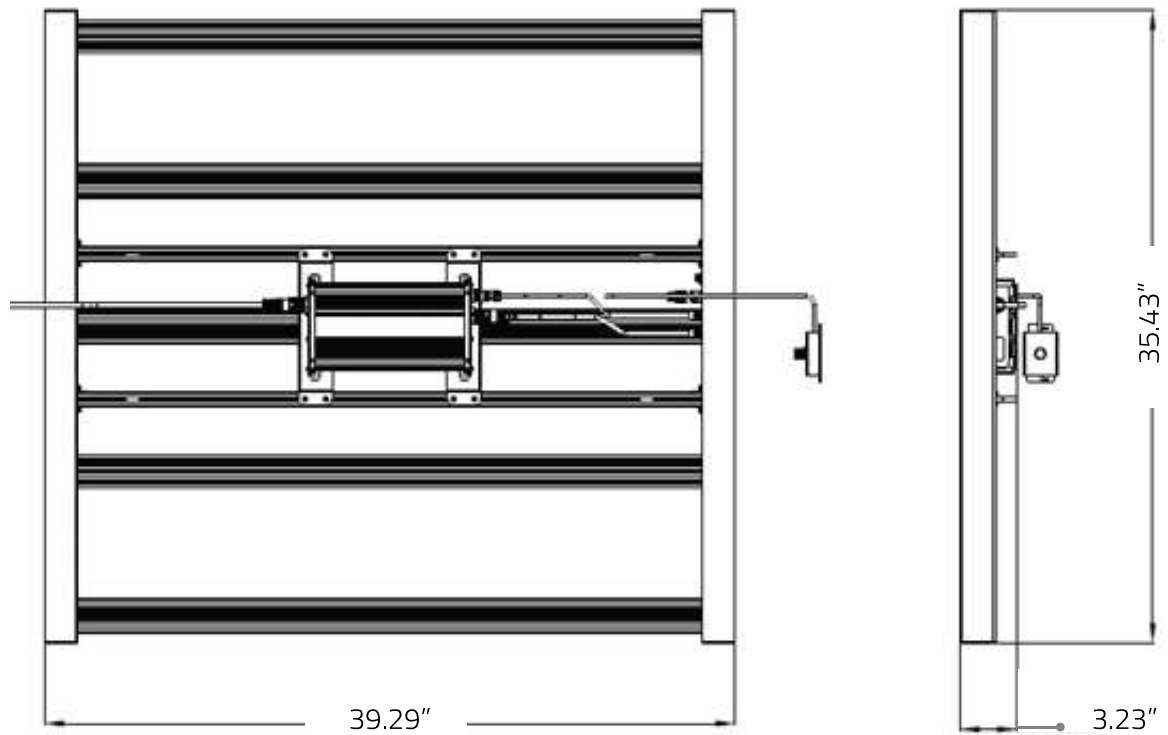


Fig1. Dimensiones de la luminaria.

3.3 Espectros

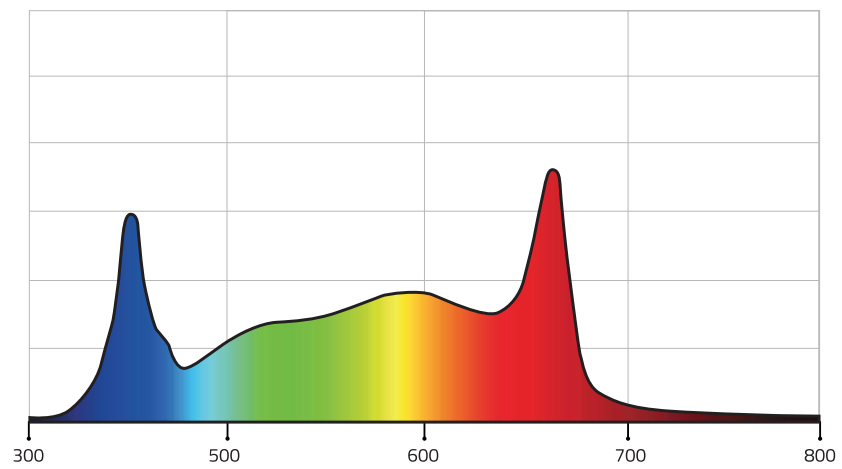


Fig2. Espectro Completo F.

3.4 Curva de Distribución de Luz

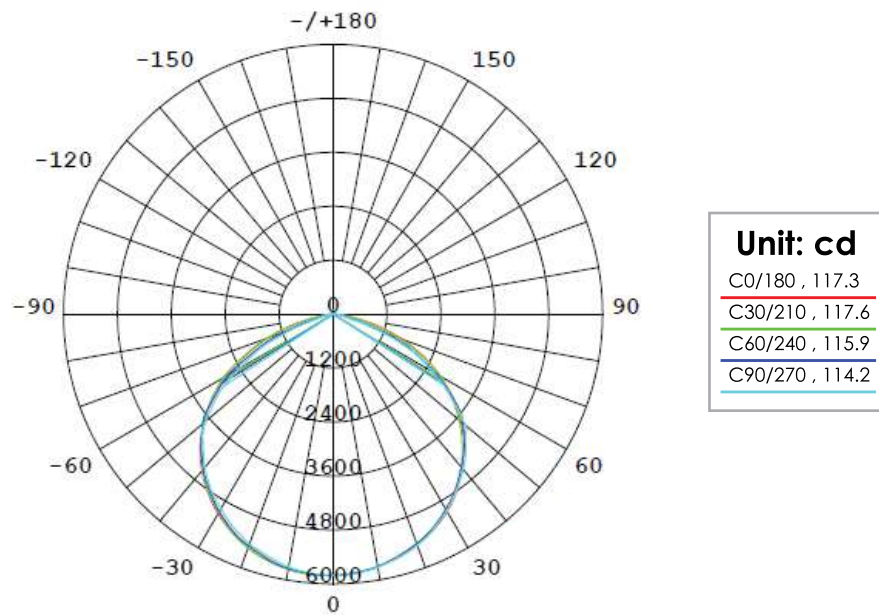


Fig3. Parcela de distribución de luz.

3.5 Medio Ambiente

La luminaria LED está diseñado para ser utilizado en salas de cultivo con clima controlado, granjas interiores e invernaderos. El producto puede usarse en ambientes húmedos, pero no en ambientes mojados o al aire libre.

El producto funcionará a temperaturas ambiente de -20°C a 40°C, pero funcionará a un nivel óptimo entre 20°C y 30°C.

El producto funcionará en 20% - 90% de humedad, sin condensación.

3.6 Legal

Este producto está certificado por la FCC, IC, CSA y CE y cumple con los estándares de prueba de las directivas LVD y EMC.

4. RECOMENDACIONES DE SEGURIDAD Y ADVERTENCIAS

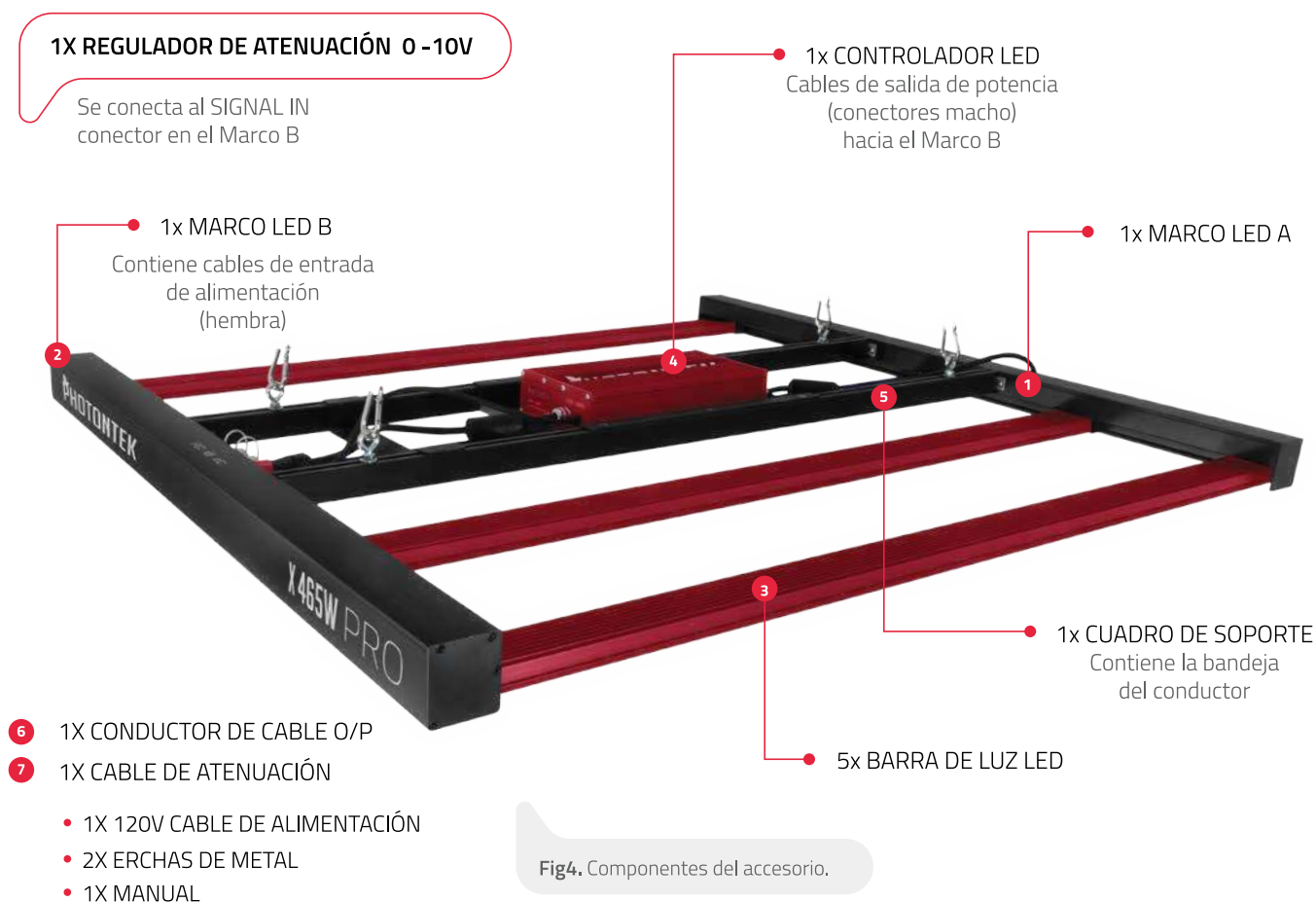
¡ADVERTENCIA!

Por favor lea atentamente las siguientes advertencias antes de usar o trabajar con el producto!

- Siempre siga las reglas y regulaciones locales al instalar o usar la luminaria LED.
- No abra ni desmonte la luminaria LED, ya que no contiene piezas reparables en su interior. El abrir o modificar la luminaria LED puede ser peligroso y anulará la garantía.
- No utilice la luminaria LED cuando la luminaria LED o su cable de alimentación estén dañados. Reemplace el cable de alimentación solo con un cable con clasificación correcta.
- Las modificaciones en los cables puede dar lugar a efectos electromagnéticos no deseados, lo que hace que el producto no cumpla con los requisitos legales.
- No exponga el dispositivo LED a:
 - Humedad condensada, neblina intensa, neblina o rociado directo;
 - Temperaturas ambiente fuera del rango especificado;
 - Polvo y contaminación;
 - Luz solar directa durante el uso o luz HID que podría calentar el balasto.
- Siempre desconecte el dispositivo de la red eléctrica antes de realizar cualquier mantenimiento.
- Siempre permita un período de enfriamiento de al menos 20-30 minutos antes de tocar las barras de luz LED. ¡El tocar las barras LED cuando el dispositivo está encendido o inmediatamente después puede provocar quemaduras!

- La convección natural elimina el calor del disipador térmico. Para que el sistema pueda enfriarse bien, se requiere al menos 5 cm de espacio entre la luminaria y el techo de su área de cultivo.
- Por favor no utilice materiales abrasivos o agentes de limpieza agresivos para limpiar la luminaria LED, ya que esto puede dañar la óptica secundaria. En su lugar, use una tela limpia y seca.
- No utilice el dispositivo cerca de sustancias inflamables, explosivas o reactivas. La luminaria LED puede alcanzar temperaturas de 40°C.
- No use vaporizadores de azufre o agua pulverizada.
- La instalación y el uso del dispositivo son responsabilidad del usuario final. El uso o una instalación incorrecta pueden provocar fallas y daños en la luminaria LED. El daño a la luminaria LED y a los circuitos electrónicos como resultado de una instalación y uso incorrecto revocará la garantía.

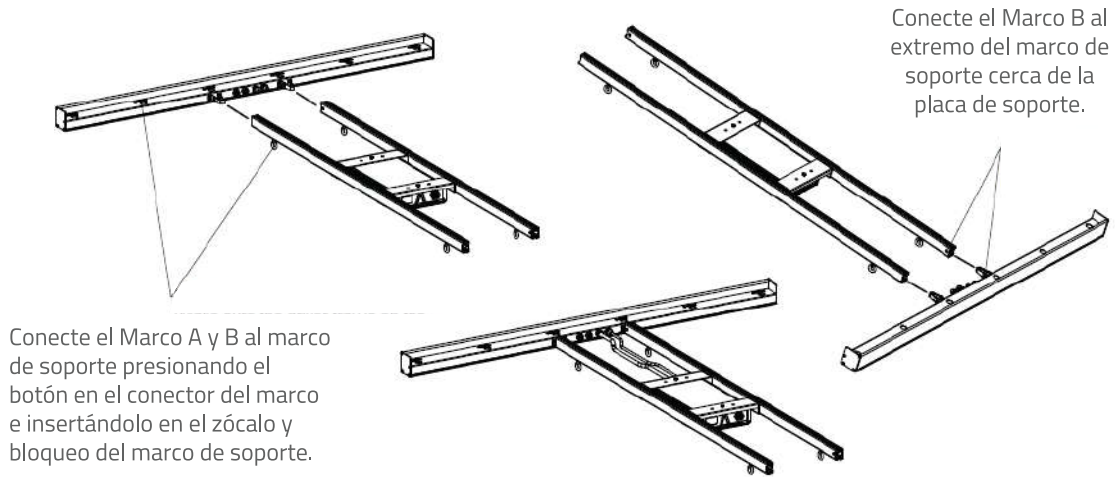
5. CONTENIDO



6. INSTALACIÓN

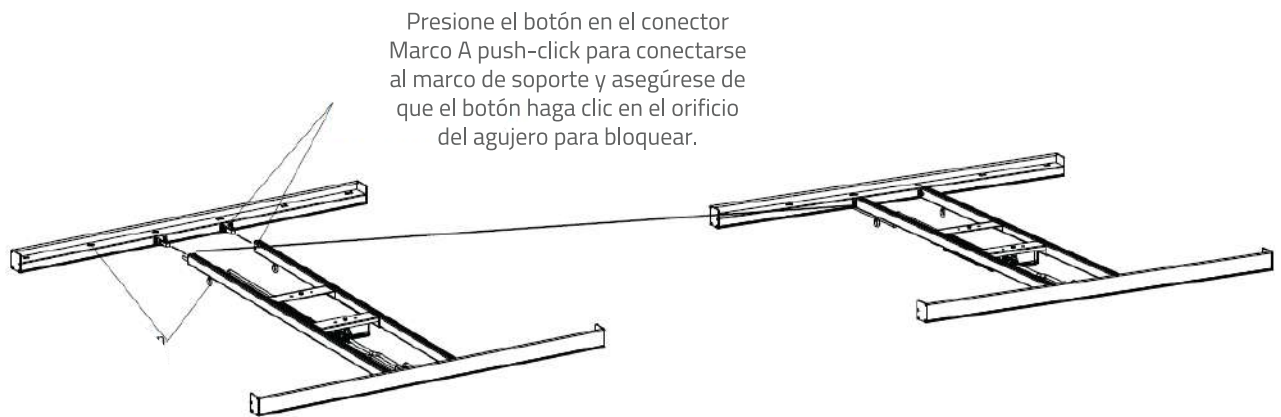
- ¡ADVERTENCIA!** El montaje e instalación de la luminaria LED debe realizarse de acuerdo con las leyes y regulaciones locales aplicables.
- ¡ADVERTENCIA!** El instalador tiene la responsabilidad de una instalación correcta y segura.
- ¡ADVERTENCIA!** Por favor asegúrese que el cableado local pueda soportar los requisitos de voltaje y corriente del dispositivo.
- ¡ADVERTENCIA!** Evite los cables en espiral y mantenga los cables de alimentación separados para ayudar a evitar interferencias electromagnéticas.
- ¡ADVERTENCIA!** No conecte ni desconecte el dispositivo LED bajo carga.

6.1 Montaje e Instalación de Accesorios



Tenga en cuenta la dirección al instalar; la bandeja del controlador está en la parte superior cuando la luminaria se encuentra colgada.

6.1.1 Ensamblando el Marco



Tenga en cuenta la dirección al instalar; la bandeja del controlador está en la parte superior cuando la luminaria se encuentra colgada.

6.1.2 Conectar el Controlador



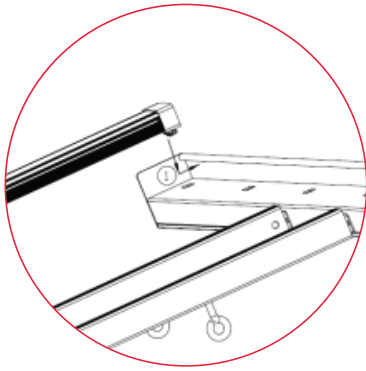
Coloque el controlador LED en el soporte de montaje y fíjelo con tornillos de retención a través del soporte en la placa base.



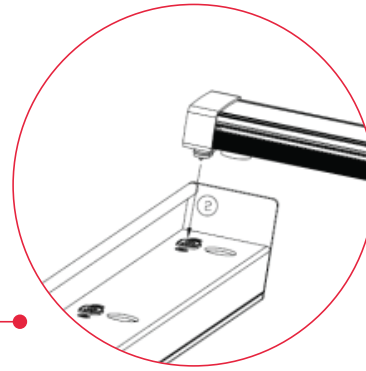
Conecte las salidas del controlador a los cables del conector de entrada en el Marco B.

Usando los cables de extensión del controlador PhotonTek 5m LED (se venden por separado), el controlador se puede colocar de forma remota para una mayor flexibilidad.

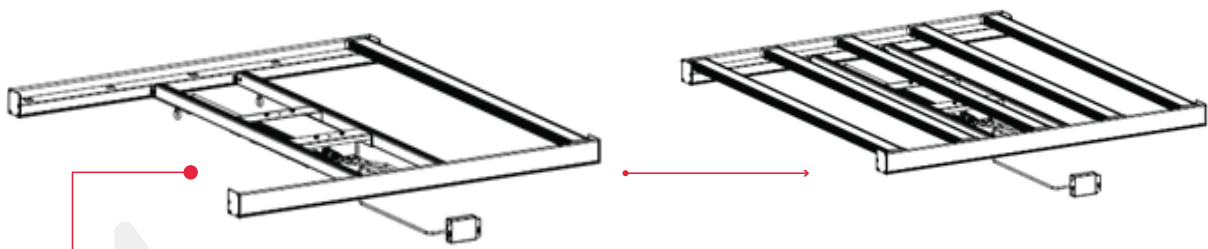
6.1.3 Conecte las barras de luz LED



Asegúrese que el controlador esté asegurado y voltee el dispositivo para que el controlador esté debajo. Inserte el extremo de la barra de luz con el gancho en el orificio cuadrado en el Marco A.



Después inserte el otro extremo; alinee el orificio redondo en el Marco B con el extremo magnético de la barra de luz e inserte el pin macho en el enchufe hembra. Asegúrese que la conexión magnética sea segura.



Ensamble el resto de las barras de luz en el marco del accesorio tal como se muestra en la figura de arriba.

6.2 Sustitución y Cambio de Barras de Luz

Las barras de luz individuales de 93 W están disponibles para ser compradas como reemplazos o con diferentes relaciones espectrales para ajustar la salida espectral del dispositivo.

El diseño modular de la luminaria X 465W Pro tiene un controlador LED inteligente que puede detectar automáticamente y disminuir o aumentar la potencia para adaptarse a la cantidad de barras de luz de 93W instaladas en la luminaria.

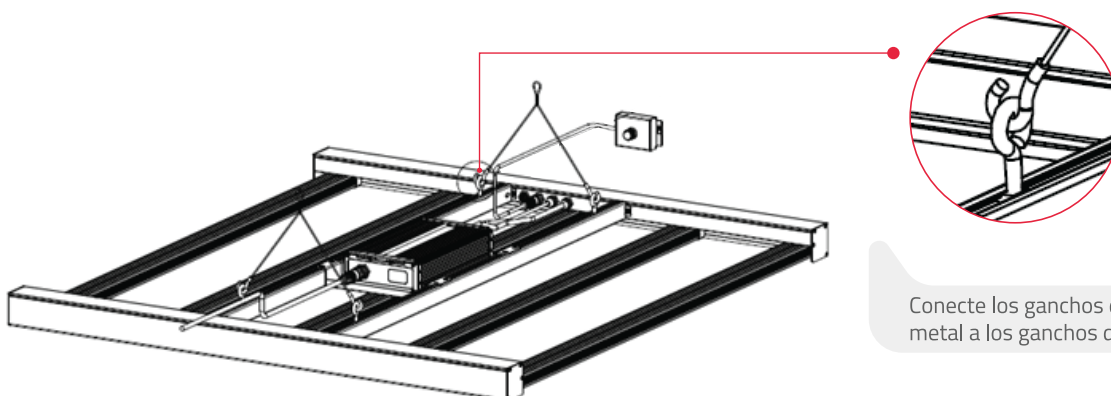
¡ADVERTENCIA! Se debe instalar al menos una barra de luz en el dispositivo antes de encenderlo.

6.3 Instalación de la luminaria

¡ADVERTENCIA! Monte el sistema en algo que pueda soportar el peso de la luminaria LED.

Asegúrese que todas las barras de luz estén instaladas correctamente y sean seguras. Con cuidado, gire el dispositivo y conecte los ganchos de cable de metal a los ganchos de montaje. Cuelgue el dispositivo en la posición y altura requeridas. Para un rendimiento óptimo,

coloque el accesorio a 30-50 cm por encima del dosel de la planta. Asegúrese que el dispositivo esté colgado horizontalmente.



Conecte los ganchos de cable de metal a los ganchos de montaje

6.4 Conexión del Control de Atenuación Manual

El control de atenuación está conectado al conector de atenuación del aparato. Esto permite ajustar la intensidad de la luz (nivel de Factor de Protección Personal) según las necesidades. La intensidad de luz del accesorio LED puede ajustarse sin cambiar la distribución de potencia espectral o perder eficiencia.



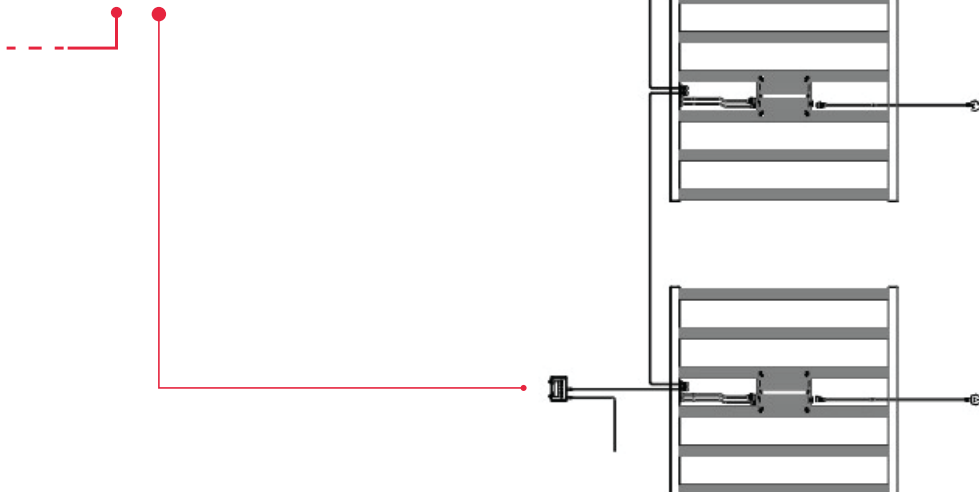
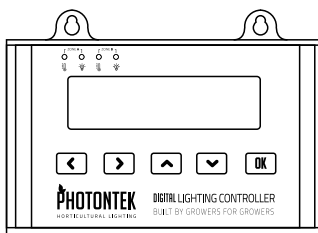
Conecte el atenuador manual o el cable de señal del controlador de iluminación al conector "SIGNAL IN".

6.5 Conexión de Luminarias en serie para Control Externo

Para instrucciones detalladas, por favor, consulte el manual del controlador de iluminación digital PhotonTek.

El X 465W Pro utiliza un protocolo de señal de 0-10V para el control. Coloque y cuelgue cada accesorio adecuadamente.

- Conecte el cable de señal de salida del controlador al dispositivo 1 SIGNAL en el conector. Conecte el cable de señal del conector del dispositivo 1 SIGNAL OUT al conector del dispositivo 2 SIGNAL IN.
- Continúe conectando dispositivos en serie para hasta 100 dispositivos por controlador, consulte la figura a continuación.



6.6 Conexión de la Luminaria LED a la Red Eléctrica

¡ADVERTENCIA! Por favor asegúrese que la red eléctrica esté apagada.

¡ADVERTENCIA! Asegúrese que el cable de alimentación no esté enrollado y no toque ninguna superficie caliente.

¡ADVERTENCIA! Conecte los cables de acuerdo con las normas locales, las regulaciones de seguridad y el código eléctrico.

¡ADVERTENCIA! Asegúrese que el equipo de conmutación externo pueda hacer frente a la corriente de entrada de la luminaria LED. Utilice siempre un contactor de doble polo adecuado para cambiar una carga capacitiva. ¡Nunca use temporizadores domésticos para cambiar la luminaria LED!

¡ADVERTENCIA! Asegúrese que la clasificación del cable de alimentación coincide con el voltaje de la red eléctrica.

- El accesorio LED se suministra con un cable de alimentación de 120V para una fuente de alimentación de 120V. Los cables de alimentación de 240V y 277V no están incluidos y deben comprarse por separado
- Seleccione el cable con la clasificación correcta para la fuente de alimentación de la red eléctrica y conecte la toma de entrada de alimentación del controlador al equipo de conmutación / fuente de alimentación.
- Encienda la alimentación de red.

¡ADVERTENCIA! No conecte ni desconecte el dispositivo LED bajo carga.

7. PRECAUCIONES AL USAR EL DISPOSITIVO LED

¡ADVERTENCIA! Asegúrese siempre que al menos una barra de luz esté conectada al dispositivo antes de encenderla. El X 465W Pro cuenta con un controlador LED inteligente que aumentará o disminuirá la potencia para que coincida con la cantidad de barras de luz conectadas al sistema.

¡ADVERTENCIA! Siempre espere de 20 a 30 minutos para que las barras de luz LED se enfríen.

8. INSPECCIÓN, MANTENIMIENTO Y REPARACIÓN.

¡ADVERTENCIA! Siempre desconecte la luminaria LED de la red eléctrica antes de realizar cualquier mantenimiento.

¡ADVERTENCIA! No conecte ni desconecte el dispositivo LED bajo carga.

¡ADVERTENCIA! No abra ni desmonte la luminaria LED, ya que no contiene piezas reparables en su interior. El abrir o modificar la luminaria LED puede ser peligroso y anulará la garantía.

¡ADVERTENCIA! Siempre espere de 20 a 30 minutos para que las barras de luz LED se enfríen.

¡ADVERTENCIA! No limpie el dispositivo con detergentes, abrasivos u otras sustancias agresivas.

- Revise regularmente el dispositivo para detectar la presencia de polvo o suciedad acumulada. Límpielo de ser necesario. La contaminación puede causar sobrecalentamiento y disminución del rendimiento.
- Limpie el exterior de la lámpara LED con un paño seco o húmedo.
- Compruebe regularmente el cableado de la luminaria LED para asegurarse que no esté dañado.

9. ALMACENAMIENTO Y ELIMINACIÓN

Store the LED fixture in a dry and clean environment, with an ambient temperature of -25°C to 55°C.

The product must not be discarded as unsorted municipal waste but must be collected separately for the purpose of treatment, recovery and environmentally sound disposal.

10. GARANTÍA

PhotonTek garantiza que los componentes mecánicos y electrónicos de su producto se encuentran libres de defectos de material y mano de obra si se usan en condiciones normales de funcionamiento durante un período de tres (5) años a partir de la fecha original de compra. Si el producto muestra algún defecto dentro de este período y ese defecto no se debe a un error del usuario o uso indebido, PhotonTek deberá, a su discreción, reemplazar o reparar el producto con productos o piezas nuevas o reacondicionadas. En caso de que PhotonTek decida reemplazar el producto completo, esta garantía limitada se aplicará al producto de reemplazo por el período de garantía inicial restante, es decir, tres (5) años a partir de la fecha de compra del producto original. Para ser atendido, devuelva la luminaria a su tienda con el recibo de compra original.

MADE IN PRC



PHOTONTEK
HORTICULTURAL LIGHTING

X 465W PRO

PHOTONTEK FULL-SPECTRUM LED

MANUEL • FRANÇAIS

TABLE DES MATIÈRES

- 1. INTRODUCCIÓN**
- 2. DESCRIPTION DU PRODUIT**
- 3. INFORMATIONS ET SPÉCIFICATIONS SUR LE PRODUIT**
 - 3.1 Informations Générales sur le Produit
 - 3.2 Spécifications Techniques
 - 3.3 Spectres
 - 3.4 Courbe de Distribution Lumineuse
 - 3.5 Environnement
 - 3.6 Informations Légales
- 4. RECOMMANDATIONS ET AVERTISSEMENTS DE SÉCURITÉ**
- 5. CONTENU**
- 6. INSTALLATION**
 - 6.1 Assemblage et Installation de la Lampe
 - 6.1.1 Assemblez le Support
 - 6.1.2 Connectez le Transformateur
 - 6.1.3 Connectez les Barres Lumineuses LED
 - 6.2 Remplacement et Changement des Barres Lumineuses
 - 6.3 Installation de la Lampe
 - 6.4 Connexion du Variateur à Contrôle Manuel
 - 6.5 Connexion des Lampes en Série pour un Contrôle Externe
 - 6.6 Connexion de la Lampe LED à L'alimentation
- 7. PRÉCAUTIONS À PRENDRE LORS DE L'USAGE DE LA LAMPE LED**
- 8. INSPECTION, MAINTENANCE ET RÉPARATION**
- 9. STOCKAGE ET DISPOSITION**
- 10. GARANTIE**

1. INTRODUCTION

Nous vous remercions pour l'achat de la lampe PhotonTek X 465W Pro à plusieurs barres lumineuses LED. Ce manuel explique l'installation et l'utilisation du luminaire PhotonTek; veuillez lire attentivement ce manuel avant d'installer ou de mettre en marche tout système de la série PhotonTek X.

2. DESCRIPTION DU PRODUIT

Le PhotonTek X 465W Pro LED est un luminaire LED horticoles électronique utilisant une conception en réseau linéaire avec cinq barres lumineuses LED. La PhotonTek X 465W Pro est un produit de haute performance lumineuse pour l'horticulture commerciale. Elle a la puissance et la flexibilité nécessaires pour passer d'une culture végétative à des intensités lumineuses bien plus importantes. Dans ce manuel, la Photontek X 465W Pro LED sera appelée: "la lampe LED".

3. INFORMATIONS ET SPÉCIFICATIONS SUR LE PRODUIT

3.1 Informations Générales sur le Produit

NOM DU PRODUIT	Photontek X 465W Pro LED
FABRICANT	PhotonTek Horticultural Lighting
CODE PRODUIT	PTEKLEDO19
EAN	5060560030980
TYPE DE PRISE	Alimentation NEMA 5-15P - 120V

3.2 Spécifications Techniques

PARAMÈTRE	VALEUR	PARAMÈTRE	VALEUR
TENSION D'ENTRÉE	120 - 277V, 50/60Hz AC	Résistance à l'eau/poussière	IP65 – Lampe IP67 - Transformateur
PUISSANCE D'ENTRÉE	465W	Dimensions	39.29" x 35.43" x 3.23"
COURANT D'ENTRÉE @ 120V, 100% O/P	4.5A max	Poids	24.25 lbs
@ 208V, 100%	2.6A max	Durée de Vie	>50000H
@ 240V, 100%	2.2A max	Température de Fonctionnement Pilote LED connecté	-20° -- +40°C
@ 277V, 100%	1.9A max	Température de Fonctionnement Driver LED remote 5m ext	0° -- 40°C
FACTEUR DE PUISSANCE	>0.97	Taux d'humidité Accepté	20% - 90%
PPF	1256 µmol/s	Variation manuelle/ Contrôleur de lampe externe	0-10V Protocole Analogue
EFFICACITÉ	2.7 µmol/J	Angle de Rayonnement	120°
SPECTRE	Spectre Complet		
SOURCE LUMINEUSE	Phillips LUMILEDS & Osram diodes		

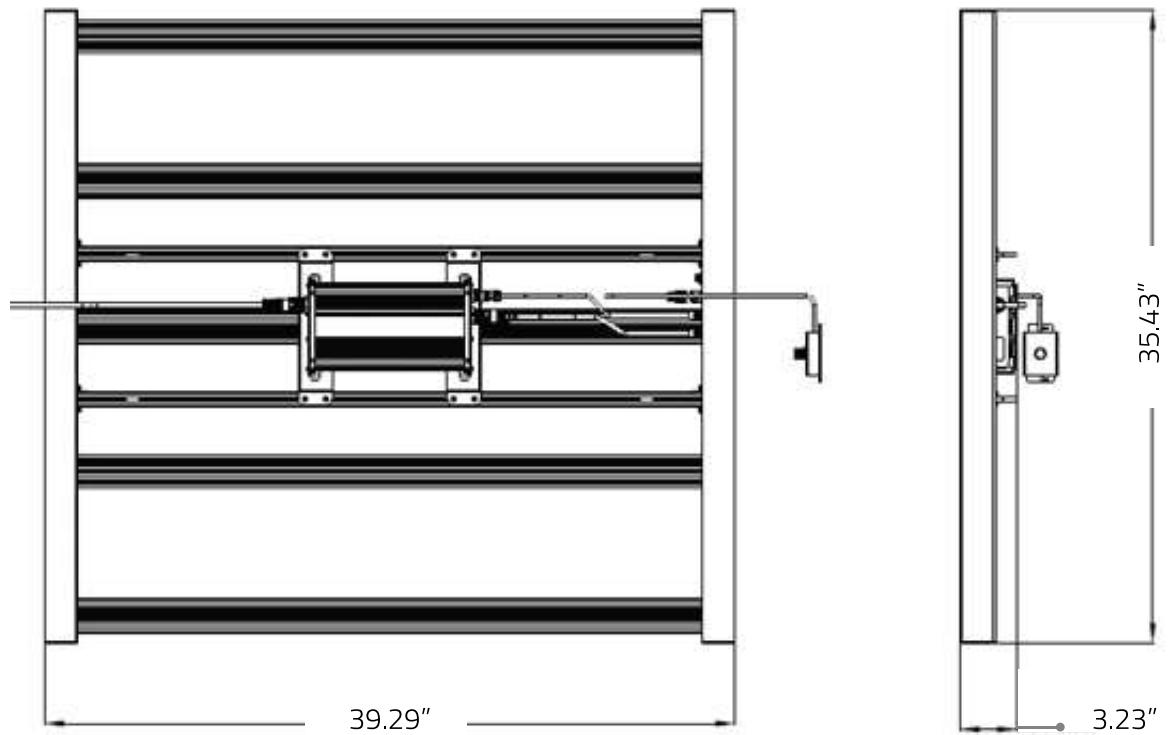


Fig1. Dimensions de la lampe.

3.3 SPECTRES

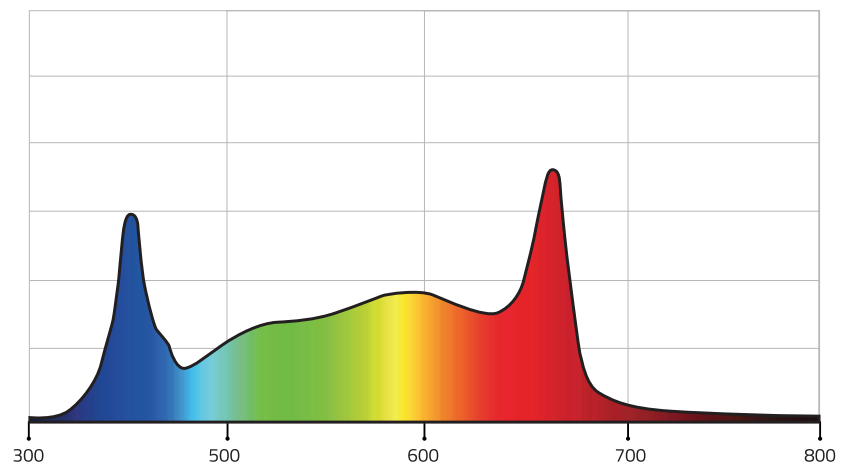


Fig2. Spectre complet F.

3.4 Courbe de Distribution Lumineuse

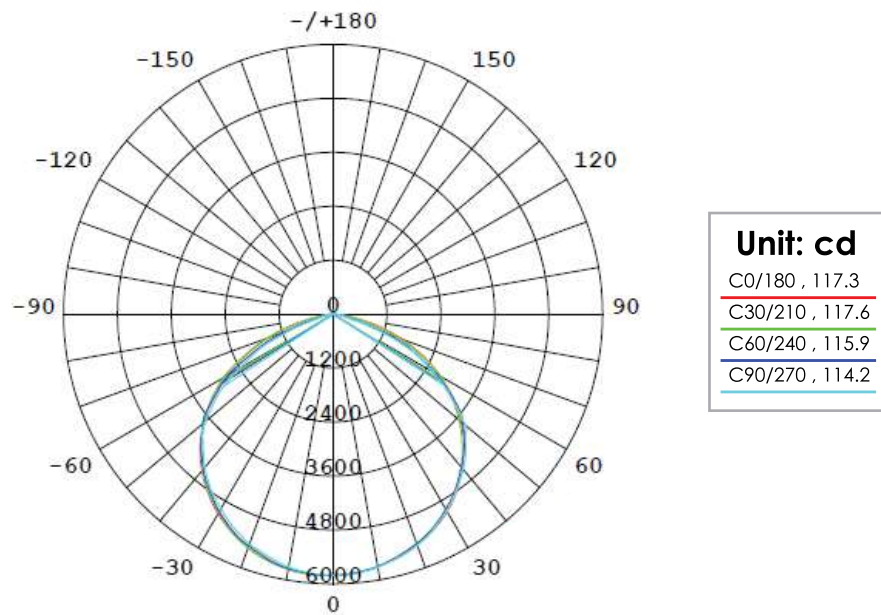


Fig3. Graphique de distribution lumineuse.

3.5 Environnement

La lampe LED doit être utilisée dans un lieu de culture à climat contrôlé et des fermes intérieures. Le produit peut être utilisé dans des lieux humides mais ne doit pas être utilisé dans des lieux mouillés ou à l'extérieur. Ce produit fonctionnera dans des températures se situant entre -20°C et 40°C mais fonctionne de façon optimale entre 20°C et 30°C .

Le produit fonctionnera dans un taux d'humidité de 20% à 90%, sans condensation.

3.6 Informations Légales

Ce produit est certifié FCC, IC, CSA et CE conformément aux normes d'essais LVD et EMC.

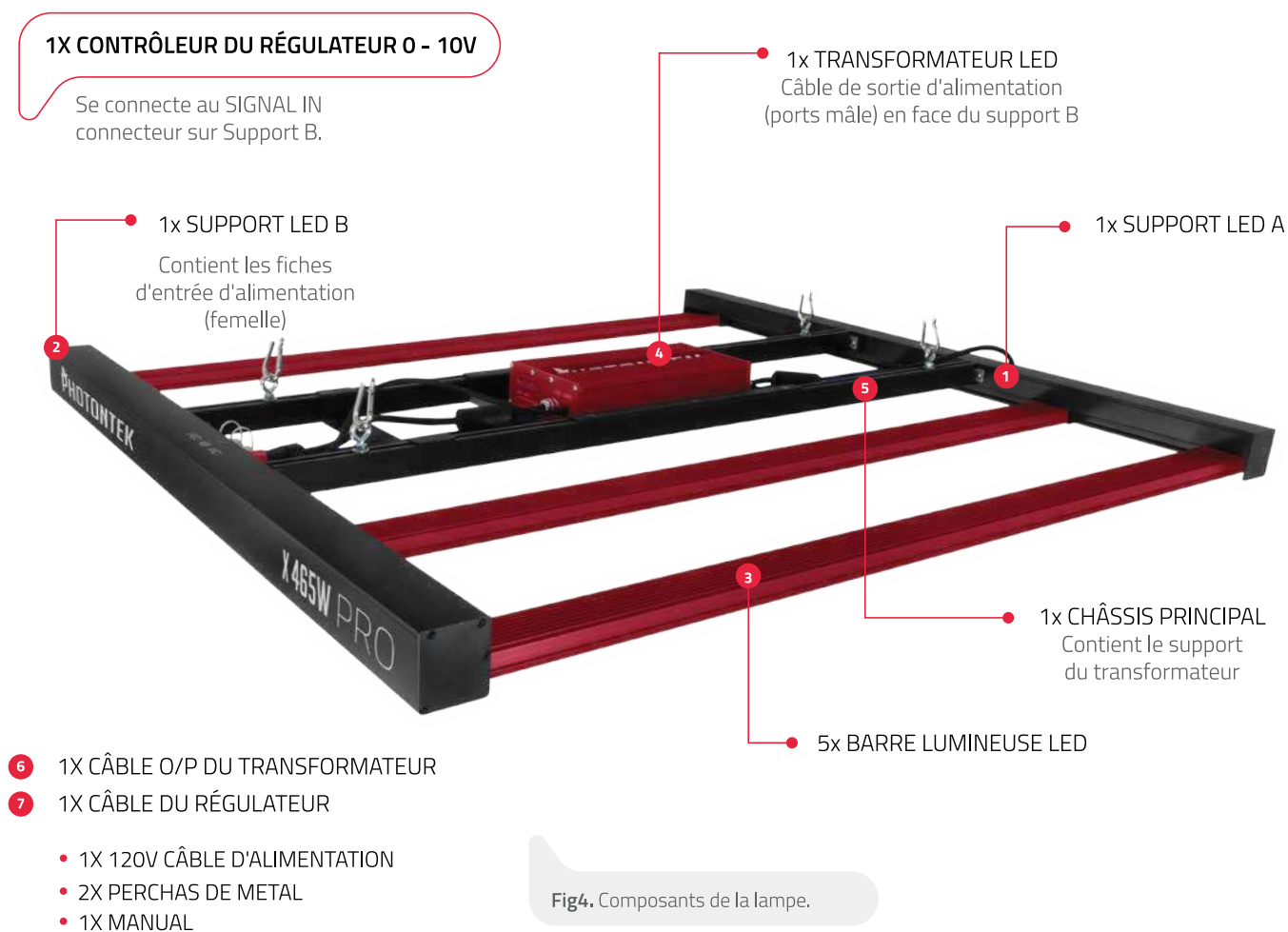
4. RECOMMANDATIONS ET AVERTISSEMENTS DE SÉCURITÉ

AVERTISSEMENT! Veuillez lire attentivement les avertissements ci-dessous avant d'utiliser ou de mettre en marche le produit!

- Référez-vous toujours aux règles et réglementations locales avant d'installer ou d'utiliser cette lampe LED.
- N'ouvrez pas et ne démontez pas la lampe LED car elle contient des pièces non remplaçables à l'intérieur. L'ouverture ou la modification de la lampe LED peut être dangereux et révoquera la garantie.
- N'utilisez pas cette lampe LED si celle-ci ou le câble d'alimentation sont endommagés. Remplacez le câble d'alimentation uniquement par des câbles d'alimentation certifiés.
- Les modifications apportées aux câbles peuvent engendrer des effets électromagnétiques non désirés, qui peuvent rendre le fonctionnement du produit non adéquat aux conditions légales.
- N'exposez pas cette lampe LED à:
 - De l'humidité condensée, la brume épaisse ou un spray direct;
 - Des températures ambiantes excédant celles spécifiées;
 - De la poussière et la pollution;
 - De la lumière du soleil ou de la lumière HID qui pourraient conduire à la surchauffe du transformateur.
- Déconnectez toujours la lampe LED de l'alimentation avant d'effectuer quelque maintenance.
- Laissez toujours refroidir la lampe LED pendant une durée d'au moins 20-30 minutes avant de toucher les barres lumineuses LED. Toucher les barres lumineuses lorsque celles-ci sont chaudes peut engendrer de sévères brûlures !
- La convection naturelle retire la chaleur du dissipateur. Afin que le système puisse bien se refroidir de façon autonome, un espace de 5cm minimum est requis entre la lampe et le toit de votre zone de culture.

- N'utilisez pas de matériaux abrasifs ou de produits de nettoyage agressifs pour nettoyer la lampe LED car cela pourrait endommager les optiques secondaires. Utilisez plutôt un chiffon/tissu propre et sec.
- N'utilisez pas de matériaux abrasifs ou de produits de nettoyage agressifs pour nettoyer la lampe LED car cela pourrait endommager les optiques secondaires. Utilisez plutôt un chiffon/tissu propre et sec.
- N'utilisez pas de vaporisateurs de soufre ou de brumisateurs
- L'installation et l'utilisation de la lampe LED est la responsabilité de l'utilisateur final. L'utilisation ou l'installation incorrecte de cette lampe LED peut engendrer sa défaillance ou son endommagement. L'endommagement de la lampe LED et du circuit électronique résultant d'une installation et/ou d'une utilisation incorrecte du produit révoquera sa garantie.

5. CONTENU



6. INSTALLATION

ATTENTION!

Le montage et l'installation de la lampe LED doivent respecter les règles et réglementations locales.

ATTENTION!

L'installateur est responsable de l'installation correcte et sécurisée du produit.

ATTENTION!

Assurez-vous que le câblage puisse supporter la tension et le courant requis par la lampe LED

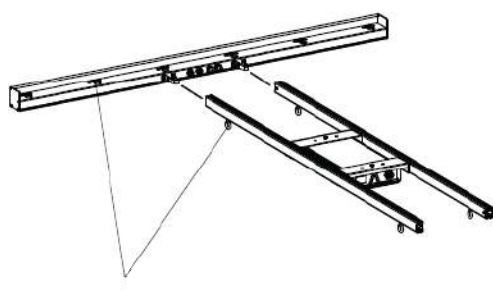
ATTENTION!

Évitez les câbles enroulés et gardez les câbles électriques séparés afin d'éviter les interférences électromagnétiques.

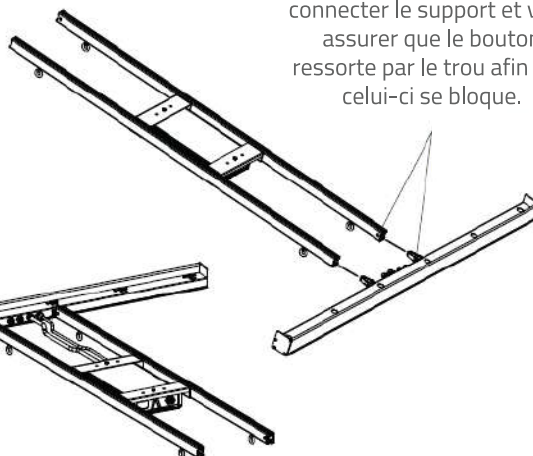
ATTENTION!

Ne connectez ou déconnectez pas la lampe LED sous tension.

6.1 Assemblage et Installation de la Lampe



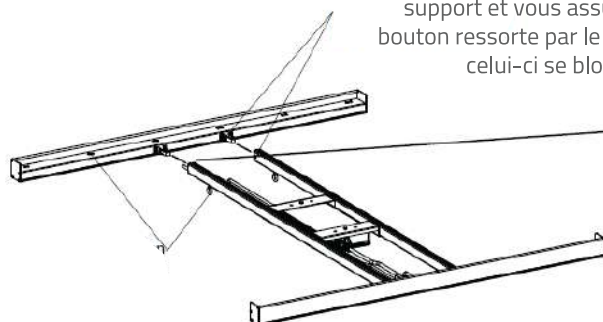
Connectez les supports A et B au châssis principal en appuyant sur le bouton du connecteur de châssis et en les insérant dans l'embout et le verrou du châssis.



Appuyez sur le bouton du connecteur du châssis pour connecter le support et vous assurer que le bouton ressorte par le trou afin que celui-ci se bloque.

Vérifiez sa direction lors de l'installation; le support du transformateur doit se trouver au-dessus lorsque la lampe est suspendue.

6.1.1 Assemblez le Support



Appuyez sur le bouton du connecteur du support A pour connecter le support et vous assurer que le bouton ressorte par le trou afin que celui-ci se bloque.



Vérifiez sa direction lors de l'installation; le support du transformateur doit se trouver au-dessus lorsque la lampe est suspendue.

6.1.2 Connectez le Transformateur



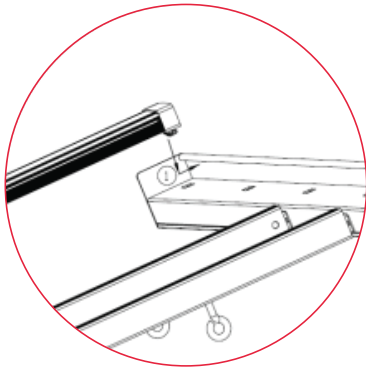
Placer le transformateur LED sur le support de montage et fixer avec des vis de rétention à travers le support dans la plaque de base.



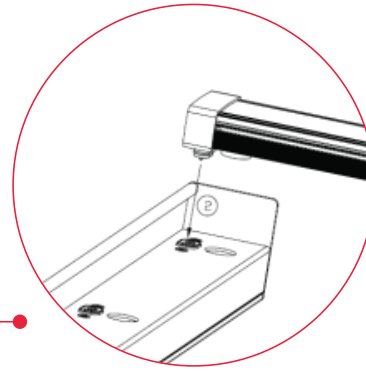
Connectez les sorties du pilote aux câbles du connecteur d'entrée sur le châssis B.

Grâce aux rallonges de pilote LED PhotonTek 5m (vendues séparément), le pilote peut être positionné à distance pour une plus grande flexibilité.

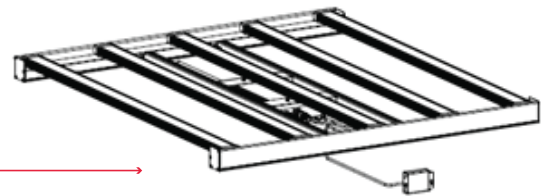
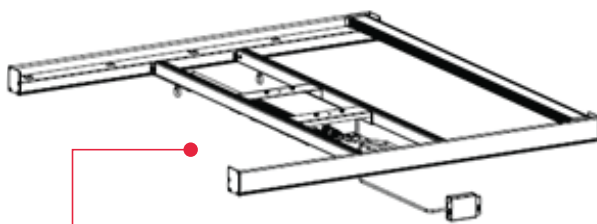
6.1.3 CONNECTEZ LES BARRES LUMINEUSES LED



Assurez-vous que le transformateur soit bien sécurisé et retournez la lampe afin que celui-ci se trouve en dessous. Insérez le bout de la barre lumineuse avec le crochet dans le trou carré du support A.



Puis insérez l'autre bout; alignez le trou rond du support B avec le bout magnétique de la lampe et insérez le pin mâle dans la fiche femelle. Assurez-vous que la liaison magnétique soit sécurisée.



Assemblez le reste des barres lumineuses dans la lampe comme le montre la figure ci-dessus.

6.2 Remplacement et Changement des Barres Lumineuses

Des barres lumineuses de 93W individuelles sont disponibles à l'achat pour leur remplacement ou avec des ratios spectraux différents afin d'ajuster la sortie spectrale de la lampe.

Le design modulaire de la lampe X 465W Pro embarque un transformateur LED intelligent qui peut automatiquement détecter les variations de puissance afin de s'ajuster à la puissance de 93W des barres lumineuses installées sur la lampe.

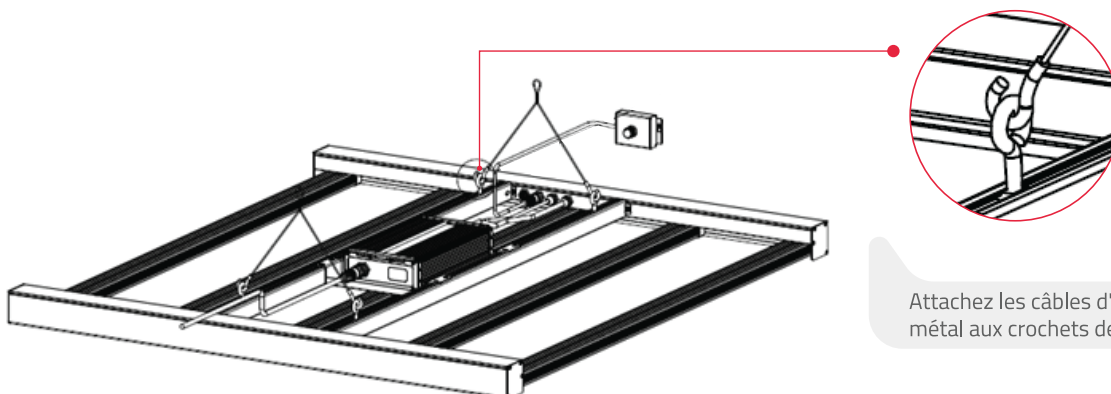
ATTENTION! Au moins une barre lumineuse doit être installée dans la lampe avant de l'allumer.

6.3 Installation de la Lampe

ATTENTION! Montez le système sur un support pouvant supporter le poids de la lampe LED.

Assurez-vous que toutes les barres lumineuses soient correctement installées, de façon sécurisée. Retournez soigneusement la lampe et attachez les câbles d'attache en métal aux crochets de montage. Accrochez la lampe à la bonne hauteur et dans la position requise.

Pour des performances optimales; positionnez la lampe entre 30 et 50cm au-dessus de la couverture végétale. Assurez-vous que la lampe soit bien suspendue horizontalement.



Attachez les câbles d'attache en métal aux crochets de montage.

6.4 Connexion du Variateur à Contrôle Manuel

Le variateur est connecté à la fiche d'entrée du variateur Dimming IN sur la lampe. Cela permet d'ajuster l'intensité lumineuse (sortie PPF) selon les besoins. L'intensité lumineuse de la lampe LED peut être ajustée sans changer la distribution de puissance spectrale et sans perdre en efficacité.



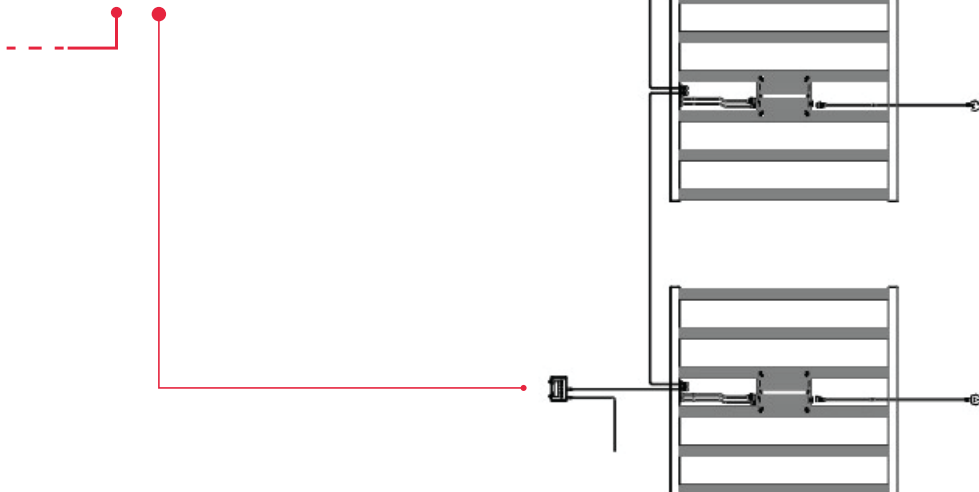
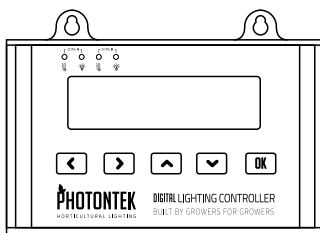
Connectez le gradateur manuel ou le cordon de signal du contrôleur d'éclairage au connecteur 'SIGNAL IN'.

6.5 Connexion des Lampes en Série pour un Contrôle Externe

Pour des instructions détaillées, référez-vous au manuel du contrôleur digital PhotonTek.

La X 465W Pro utilise un protocole de signal 0-10V pour le contrôle. Positionnez et accrochez chaque lampe de façon approprié.

- Connectez le fil du signal de sortie du contrôleur au 1 SIGNAL de l'appareil. Connectez le fil de signal du connecteur SIGNAL OUT du luminaire 1 au connecteur SIGNAL IN du luminaire 2.
- Continuez à connecter les appareils en série jusqu'à 100 appareils par contrôleur, voir la figure ci-dessous.



6.6 Connexion de la Lampe LED à L'alimentation

ATTENTION! Assurez-vous que l'alimentation soit éteinte.

ATTENTION! Assurez-vous que le câble d'alimentation ne soit pas enroulé ou en contact avec une surface chaude.

ATTENTION! Connectez les câbles selon les règles locales, réglementations de sécurité et le code électrique.

ATTENTION! Assurez-vous que le disjoncteur externe puisse supporter le courant de démarrage de la lampe LED. Utilisez toujours un contacteur bipolaire convenant à une charge capacitive. N'utilisez jamais de minuteur domestique pour allumer la lampe LED !

ATTENTION! Assurez-vous que le câble d'alimentation convienne au voltage de l'alimentation.

- Le luminaire LED est fourni avec un cordon d'alimentation 120V pour une alimentation 120V. Les cordons d'alimentation 240V et 277V ne sont pas inclus et doivent être achetés séparément
- Sélectionnez le cordon correctement adapté à votre alimentation secteur et connectez la prise d'entrée d'alimentation du pilote à l'appareillage de commutation / à l'alimentation électrique.
- Allumez l'alimentation.

ATTENTION! Ne connectez ou déconnectez pas la lampe LED sous tension.

7. PRÉCAUTIONS À PRENDRE LORS DE L'USAGE DE LA LAMPE LED

ATTENTION! Assurez-vous qu'il y est toujours au moins une barre lumineuse connectée à la lampe avant de l'allumer. La X 465W Pro embarque un transformateur LED intelligent qui peut automatiquement détecter les variations de puissance afin de s'ajuster à la puissance des barres lumineuses connectées au système.

ATTENTION! Attendez toujours entre 20 et 30 minutes afin que les barres lumineuses LED refroidissent.

8. INSPECTION, MAINTENANCE ET RÉPARATION

ATTENTION! Déconnectez la lampe LED de l'alimentation avant d'effectuer toute maintenance ou réparation.

ATTENTION! Ne connectez ou déconnectez pas la lampe LED sous tension.

ATTENTION! N'ouvrez pas et ne démontez pas la lampe LED car elle contient des pièces non remplaçables à l'intérieur. L'ouverture ou la modification de la lampe LED peut être dangereux et révoquera sa garantie.

ATTENTION! Attendez toujours entre 20 et 30 minutes afin que les barres lumineuses LED refroidissent.

AVERTISSEMENT! Ne nettoyez pas la lampe LED avec des détergents, produits abrasifs ou toute autre substance agressive.

- Vérifiez régulièrement qu'il n'y est pas d'accumulation de poussière ou de saletés sur la lampe LED. Nettoyez-la si nécessaire. La pollution peut causer la surchauffe et une baisse des performances.
- Nettoyez l'extérieur de la lampe LED à l'aide d'un chiffon sec ou humide.
- Vérifiez régulièrement que les câbles de la lampe LED ne soient pas endommagés.

9. STOCKAGE ET DISPOSITION

Placez la lampe LED dans un environnement sec et propre ayant une température ambiante située entre -25°C et 55°C. Le produit ne doit pas être jeté avec les ordures ménagères mais doit être collecté en déchetterie pour des raisons de traitement, récupération, et environnementales.

10. GARANTIE

PhotonTek garantit que les composants mécaniques et électroniques de ses produits ne sont pas défectueux si utilisés dans des conditions normales durant une période de cinq (5) ans suivant la date d'achat initiale. Si le produit montre quelconque signe de défaillance durant sa période de garantie et que la défaillance n'est pas due à une erreur de l'utilisateur ou une mauvaise utilisation, PhotonTek se doit de remplacer ou réparer le produit en utilisant des composants ou produits neufs ou reconditionnés adaptés. Dans le cas où PhotonTek décide de remplacer totalement le produit, cette garantie limitée se doit d'être appliquée au produit de remplacement pour la période de garantie restante, qui est de cinq (5) ans suivant la date d'achat du produit initial. Pour cela, retournez le produit à votre magasin d'achat avec une facture originale.





FOLLOW US ON OUR
SOCIAL MEDIA CHANNELS



✉ info@photontek-lighting.com

🌐 www.photontek-lighting.com