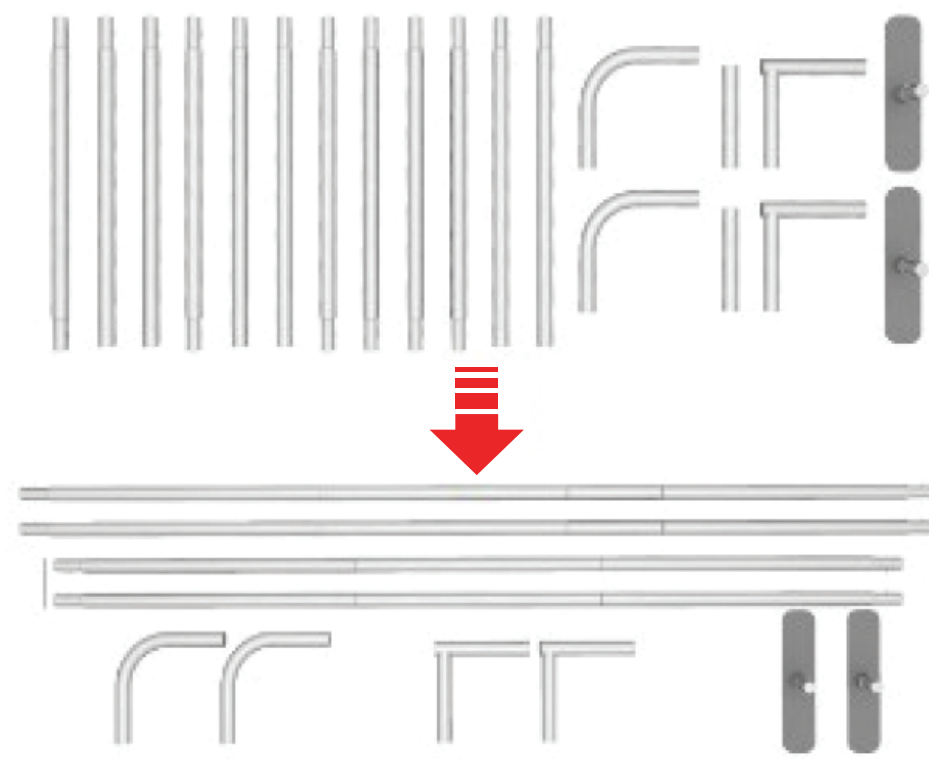


Straight Tension Fabric Display

SKU:

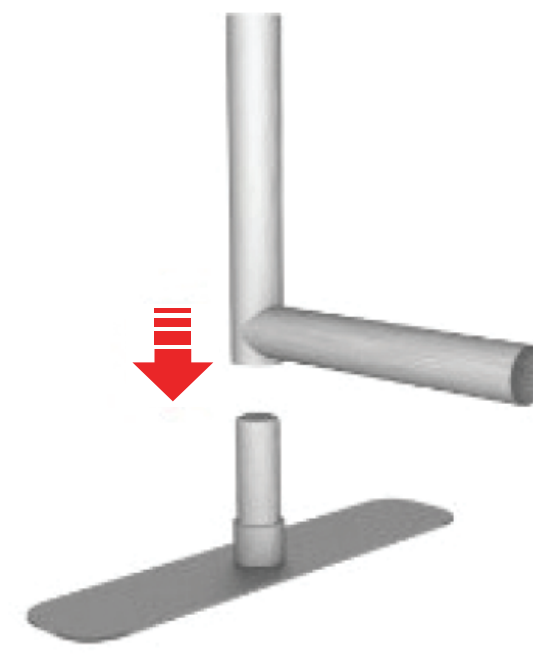
- STFBD6 - 6' (Not So Big Display)
- STFBD8 - 8'
- STFBD10 - 10'
- STFBD20 - 20'
- TFBS3080 - 30" x 80"

Easy to Set-Up, Easy to Breakdown. Look Like A Million Dollars!!



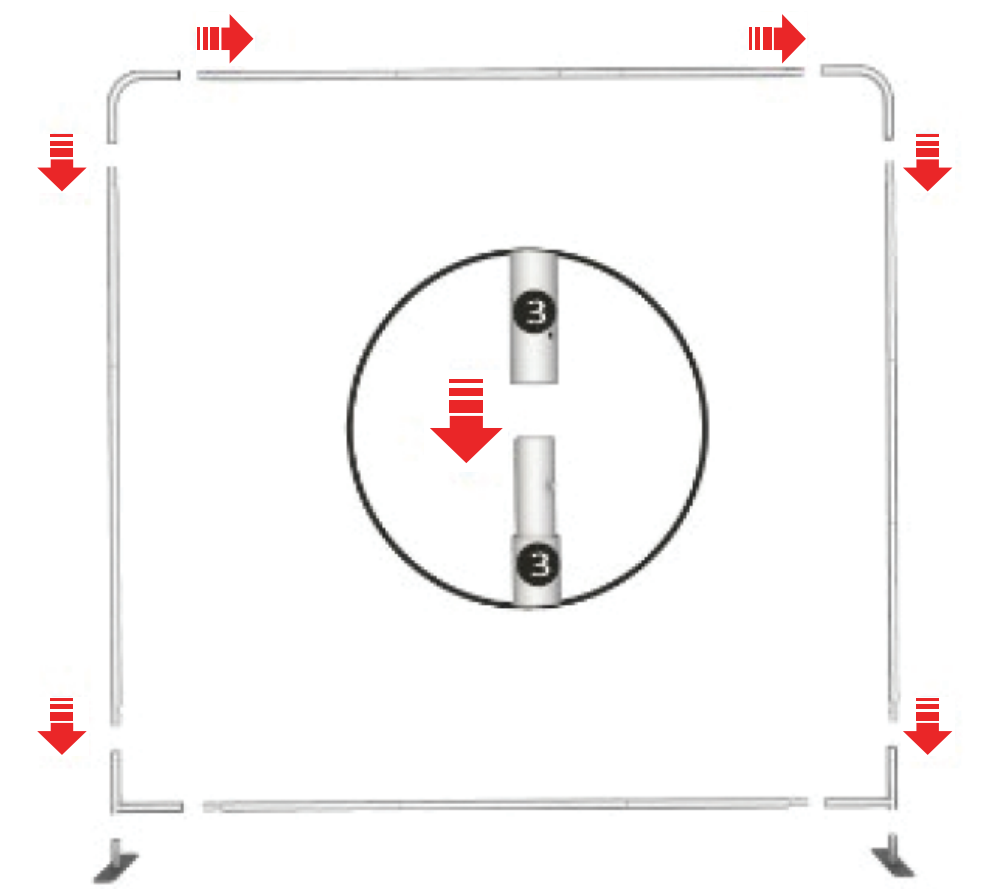
1

Put all tubes and plates in order.



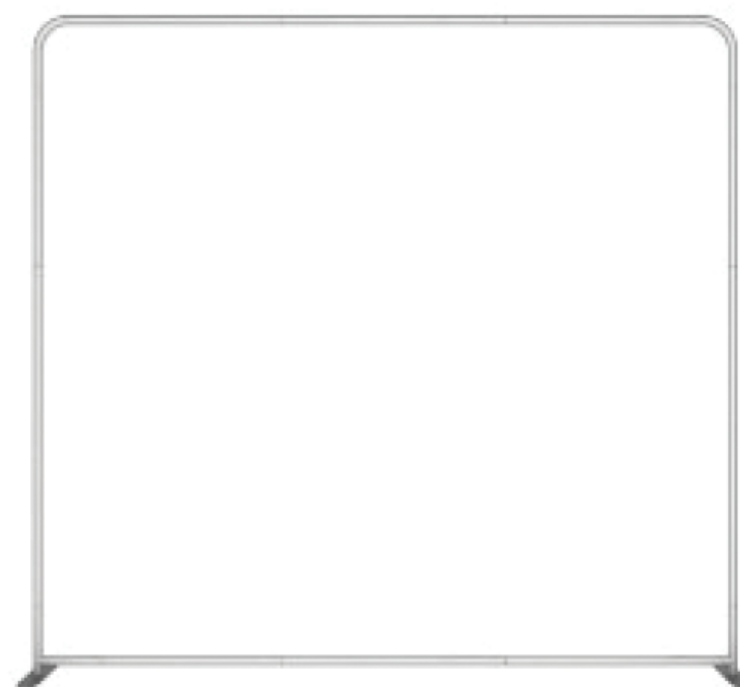
2

Insert the L shaped tubes to the feet separately.



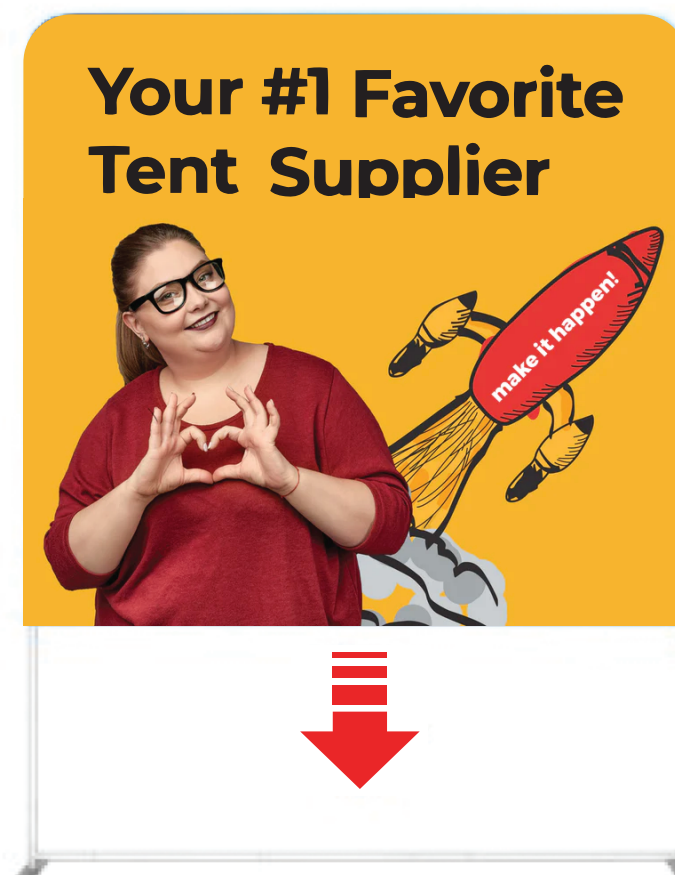
3

Connect all the tubes with the same number together to form a square frame. Make sure the thumb buttons slide into places.



4

The square frame with two feet is complete.



5

Wear the graphic to the frame. To fully and snugly fit the frame, the fabric may be a little tight, so please pull it slowly.



6

Set the fabric stand upright, and start to showcase your brand.