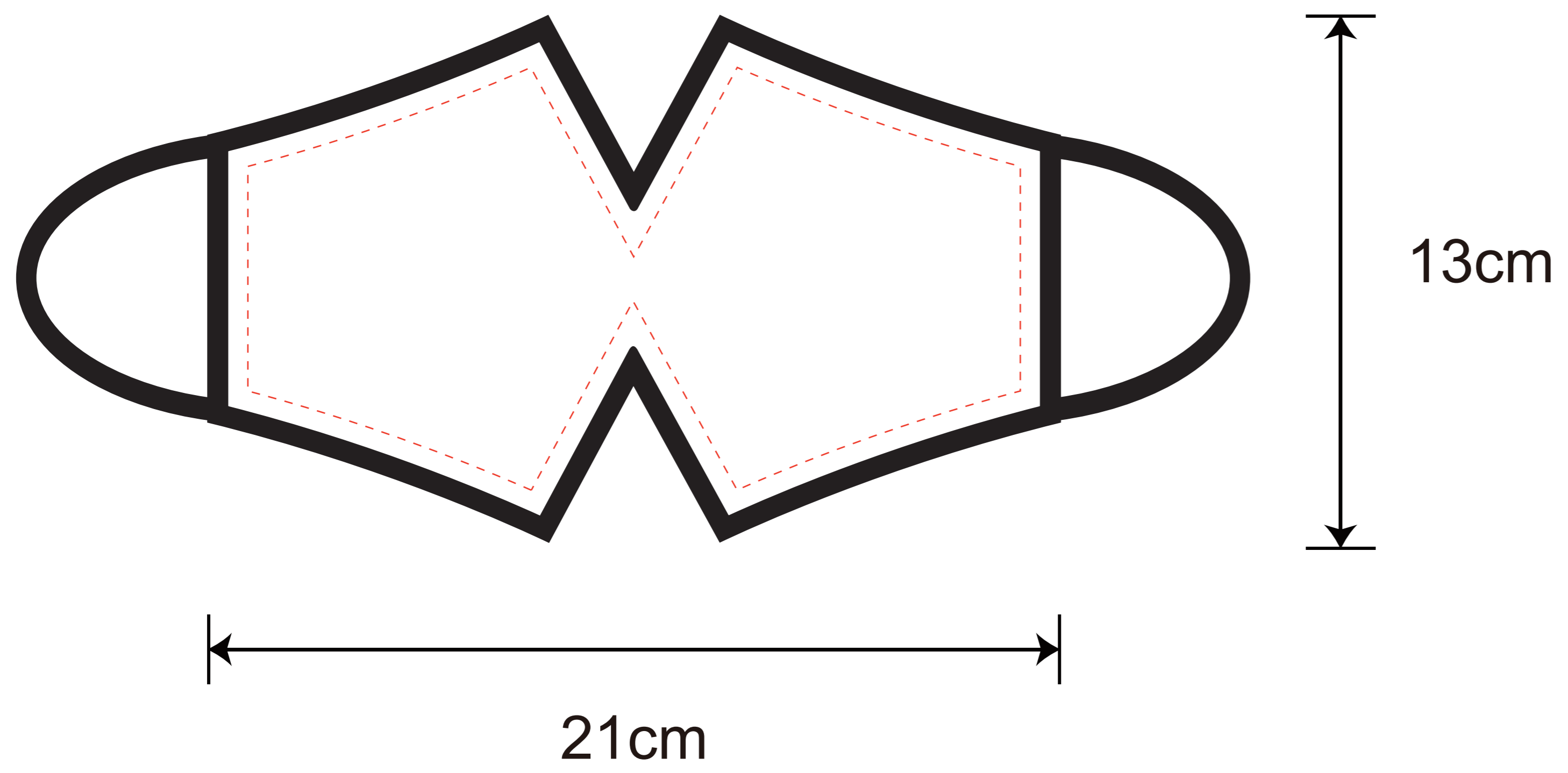


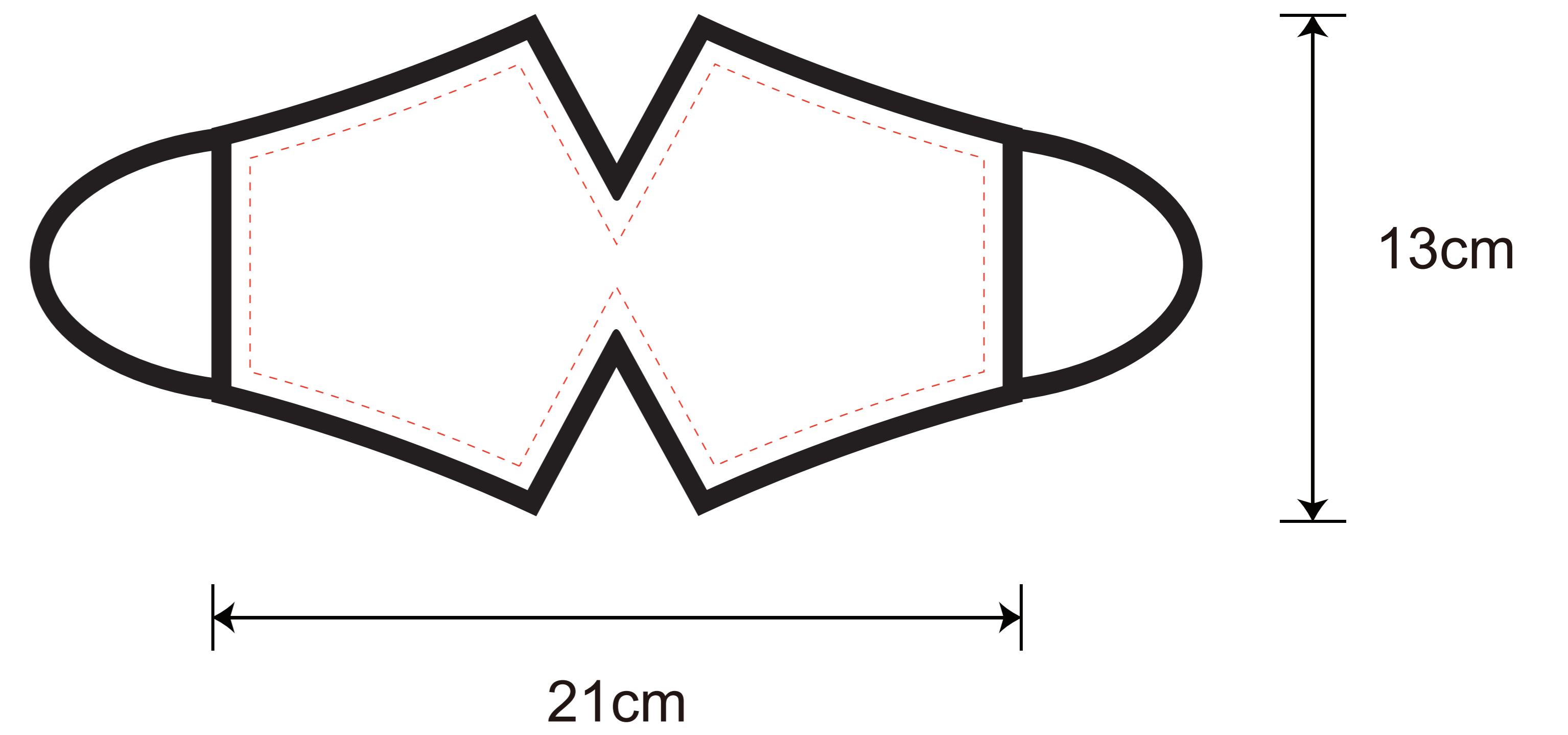
# S3DFACE - 3D Face Masks

## Deep color

Front



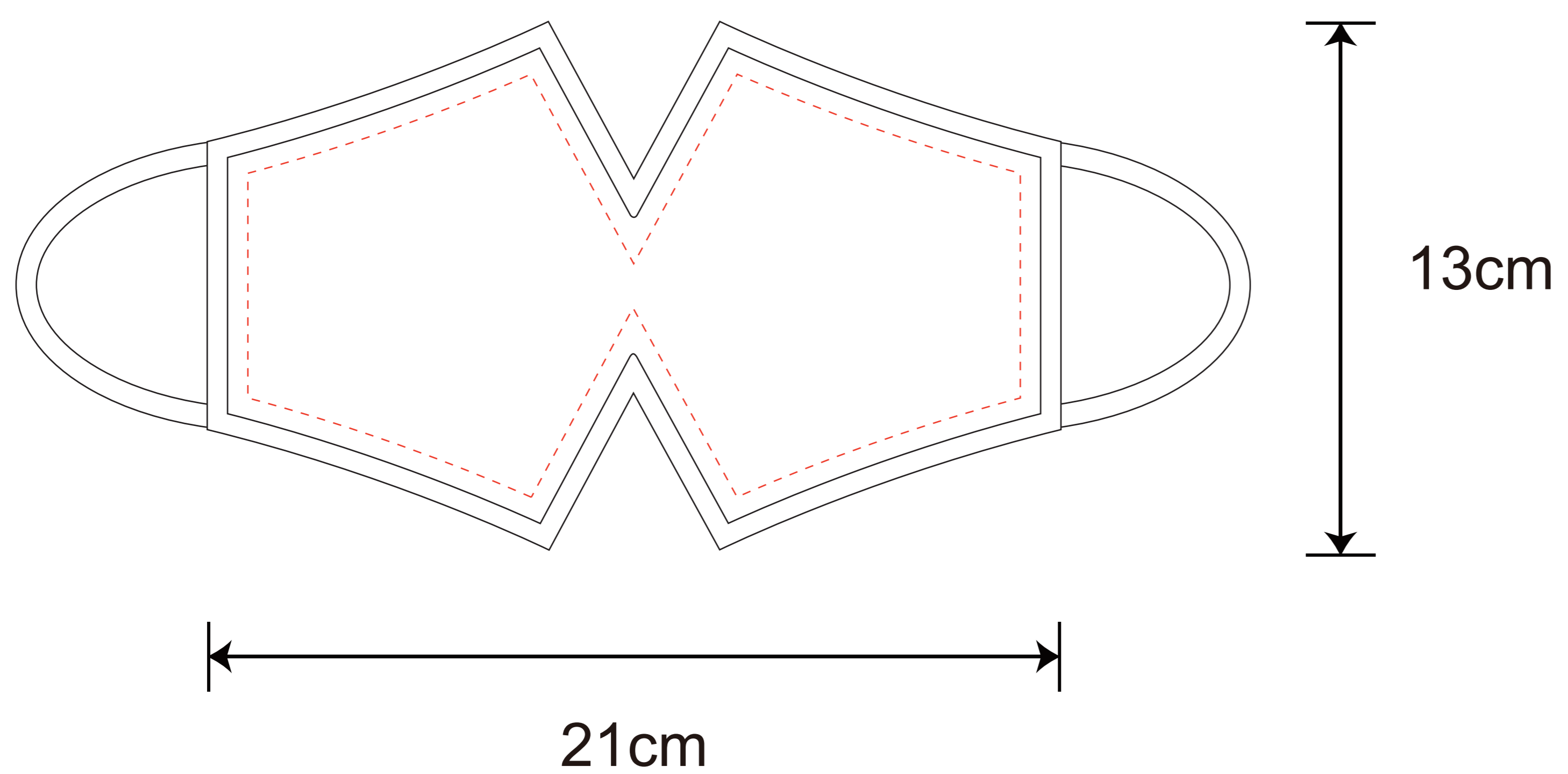
Back



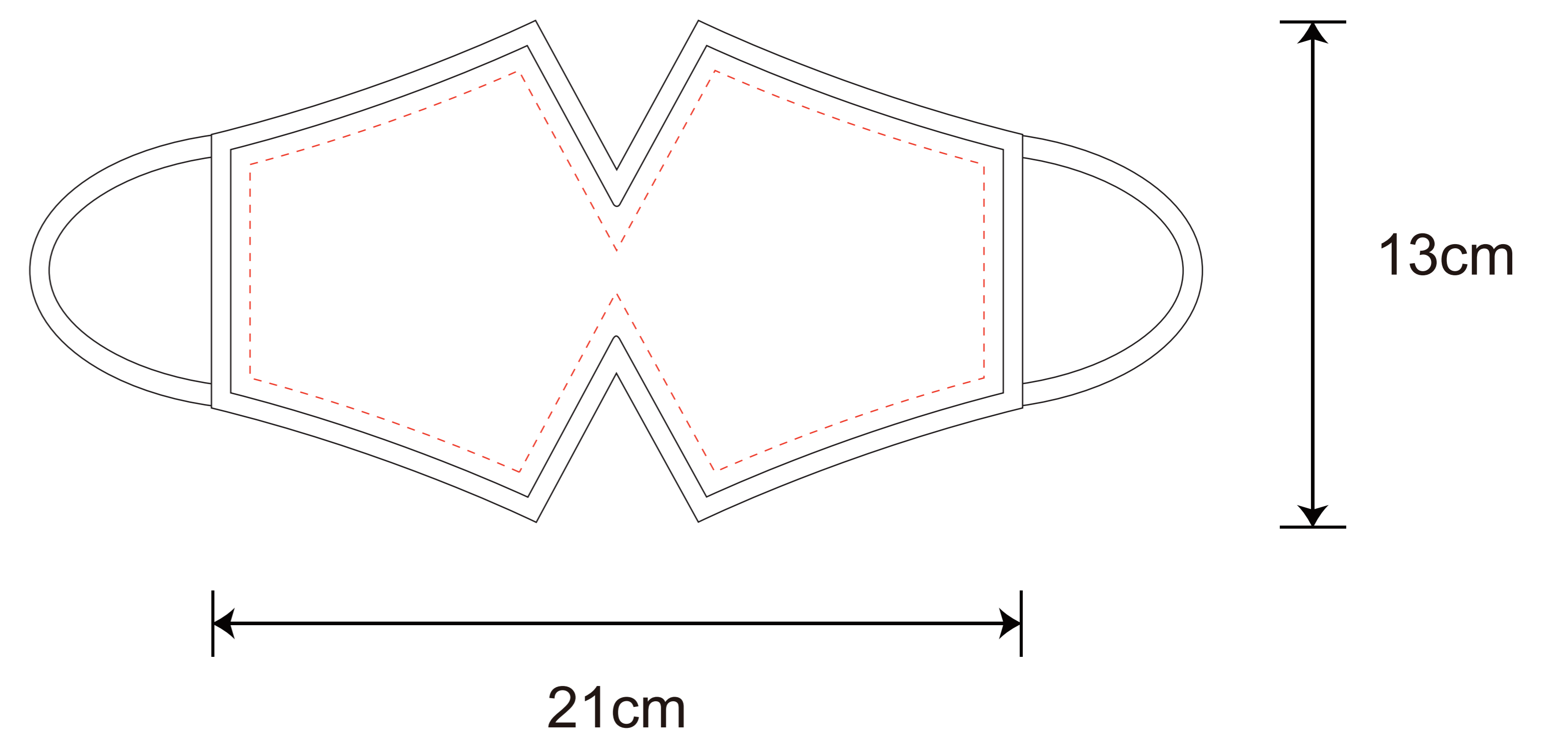
*Back blank without printing*

## Light color

Front



Back



*Back blank without printing*