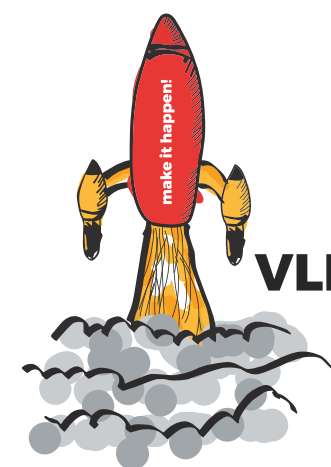


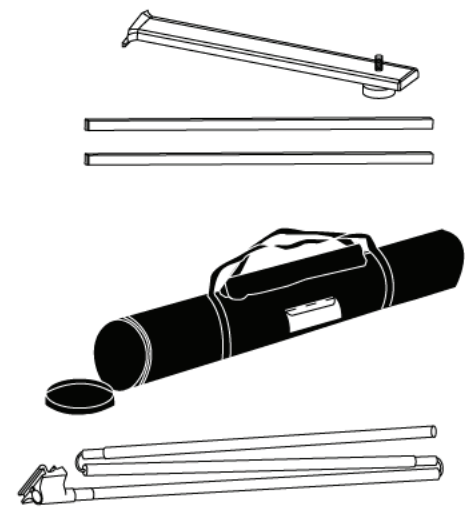
# L Banner Display

**SKU:**  
LBAN

L-Shaped Banner Stand complete with Full-Color Digital imprinted PVC Banner, Frame & Carry Case. Your Message Your Way

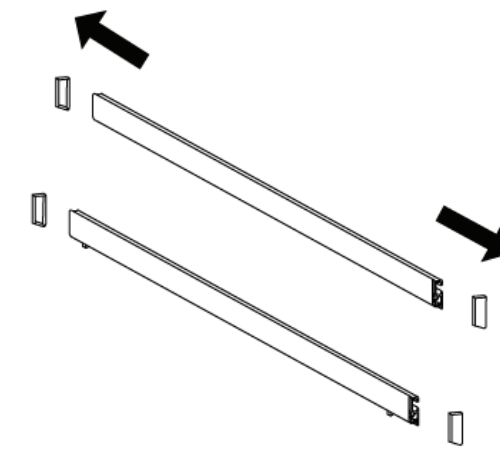


**VLD Rocket Source**  
HassleFree Global Sourcing



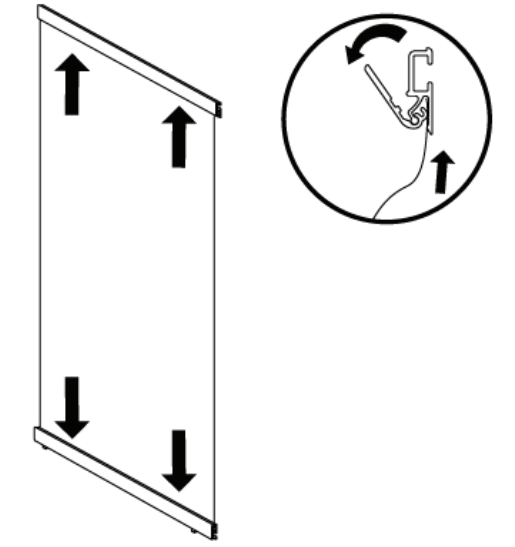
The case should contain two pieces base unit, four pieces of snap-rails and two 3-piece-pole.

1



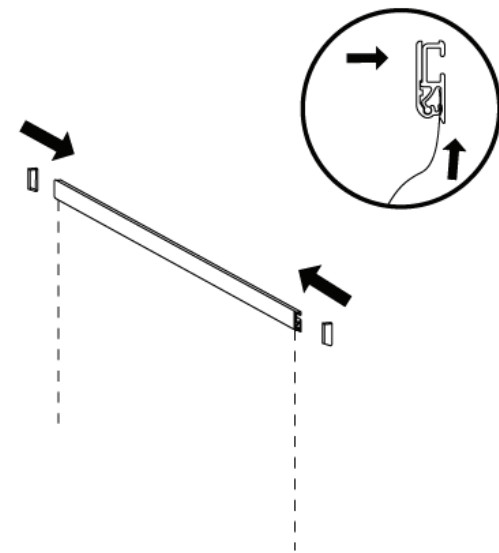
Remove the plastic end caps from the banner beam.

2



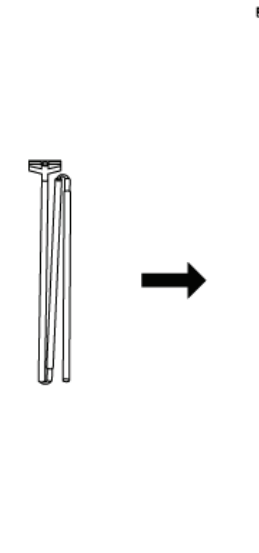
Insert both graphics edge into the snap-rails.

3



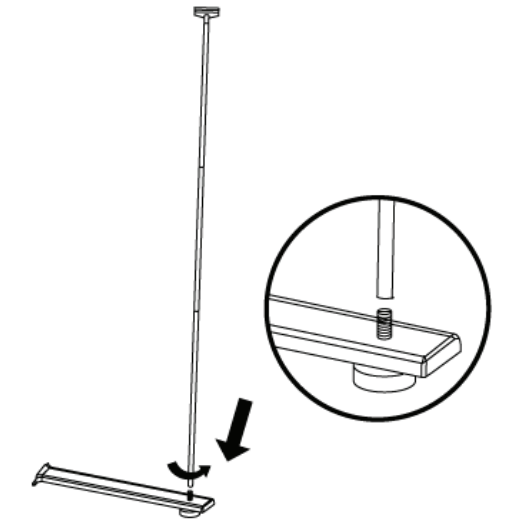
Slide the top of the graphic under the end-cap and close the end-cap to secure the graphic. Remove the plastic end caps from the upper beams.

4



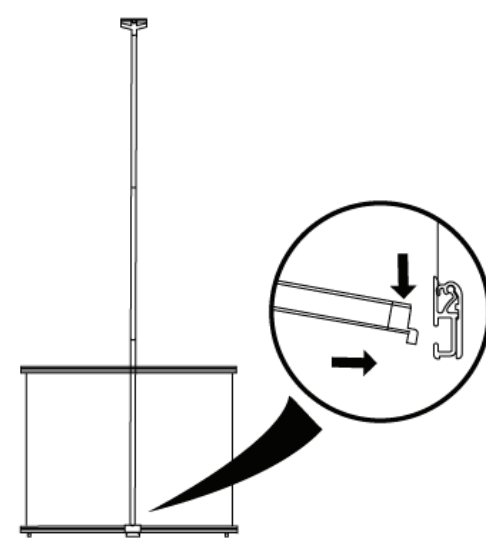
Stretch out both the 3-piece-poles.

5



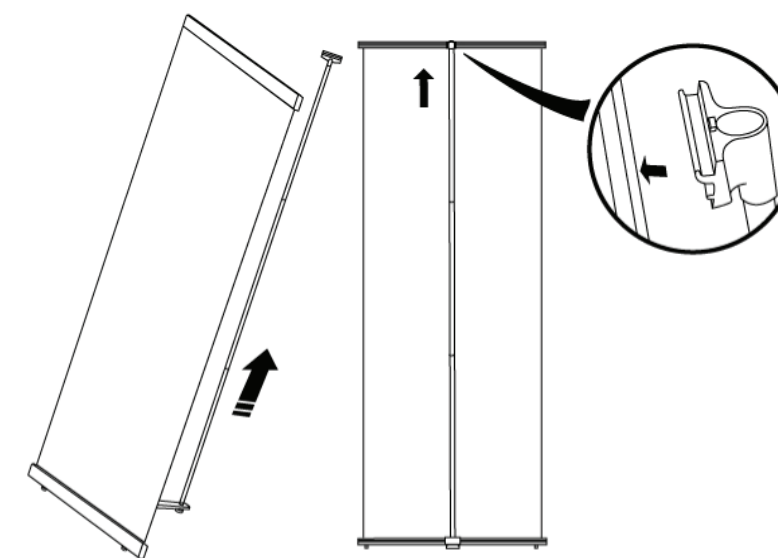
Insert both the 3-piece-poles into the hole of the base, then fix the other end of the base unit. Connect the two basic unit with a pole.

6



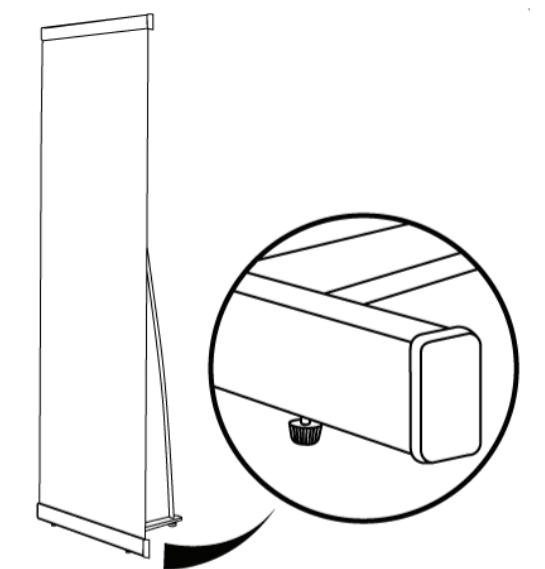
Take fix of the bottom pole with the special unit then spread the graphic to the top of the 3 piece pole.

7



Adjust the graphic into the right position with a special unit. The hook at the top of the pole slips into the rear slot of the banner beam. A marker on the beam indicates the beam's center where the pole should be inserted.

8



The unit can be levelled by adjusting the threaded feet at the bottom of the base unit.

9