

HassleFree™ Adjustable Banner Stand Display

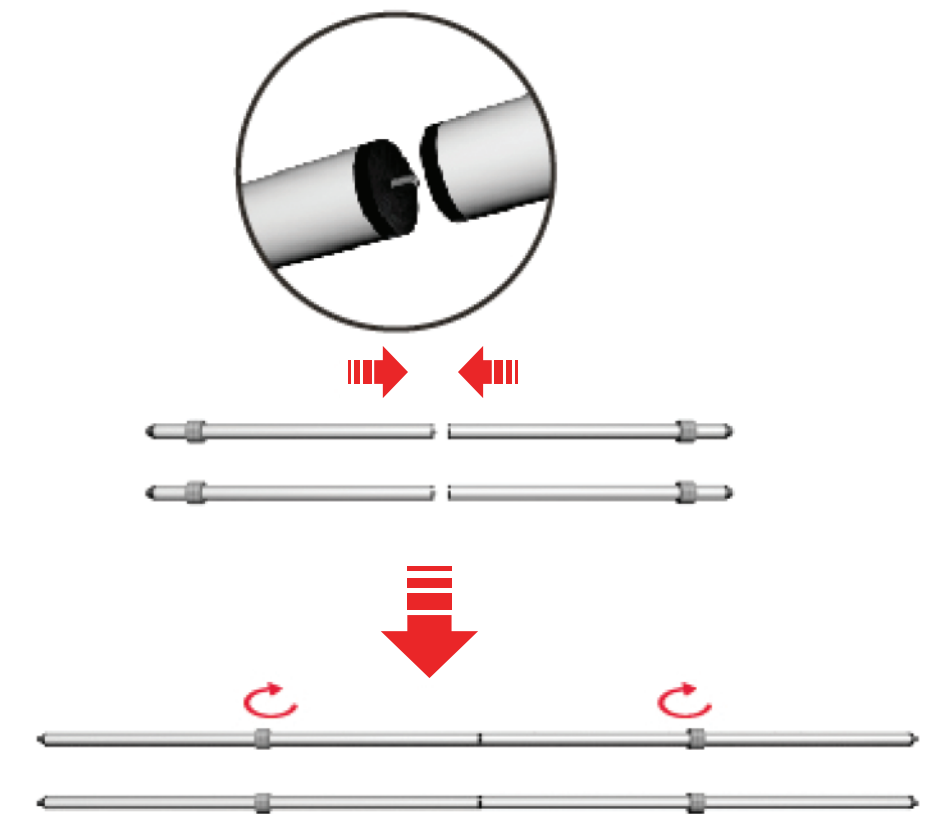
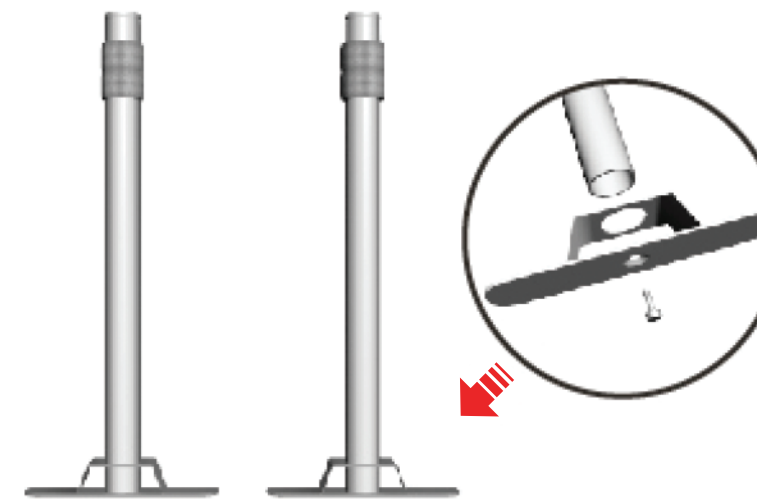
SKU:

ADJBAN86
ADJBAN88

Adjustable Banner Stand complete with Full-Color Digital imprinted Polyester Banner, Frame & Carry Case. Your Message Your Way

Colors: Full Color Digital Imprint

Materials: Polyester



1

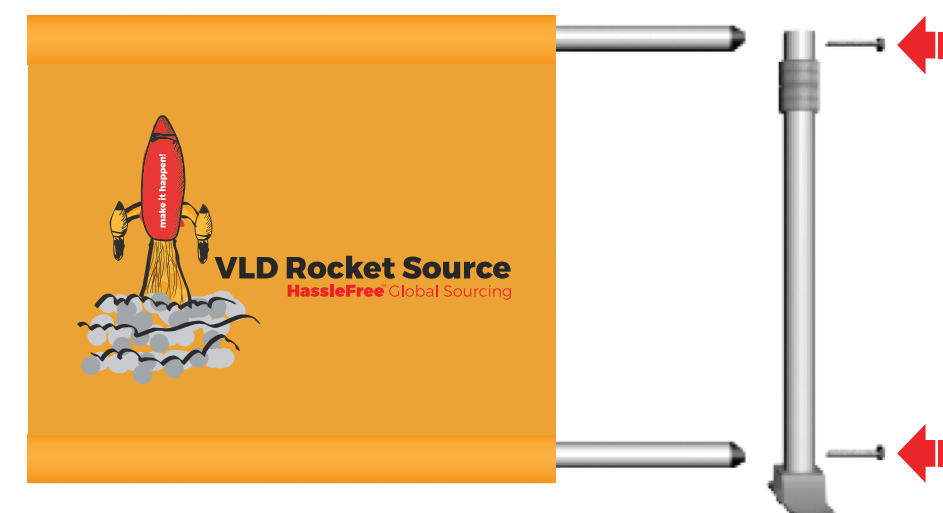
Place all the accessories in order.

2

Insert the vertical bar to the base and fix the bar with screw nut.

3

Screw the rest of the four tubes together to make up two cross bars.



4

Insert the cross bars to the pockets of the printed banner.

5

Connect the cross bars to the vertical bars with screw nut.

6

Adjust the vertical bar to the proper height.

