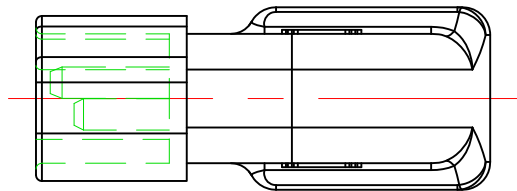
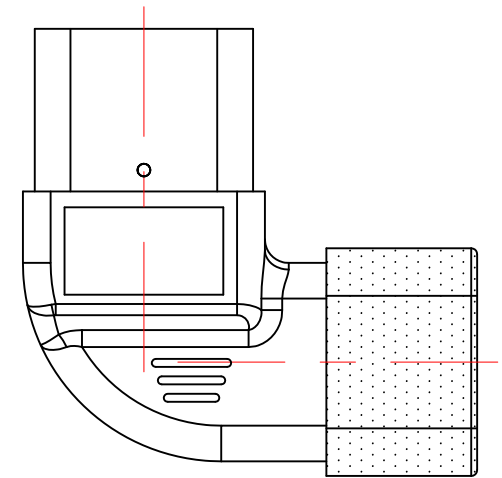
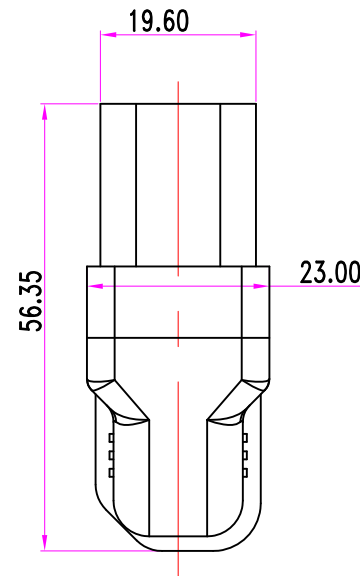
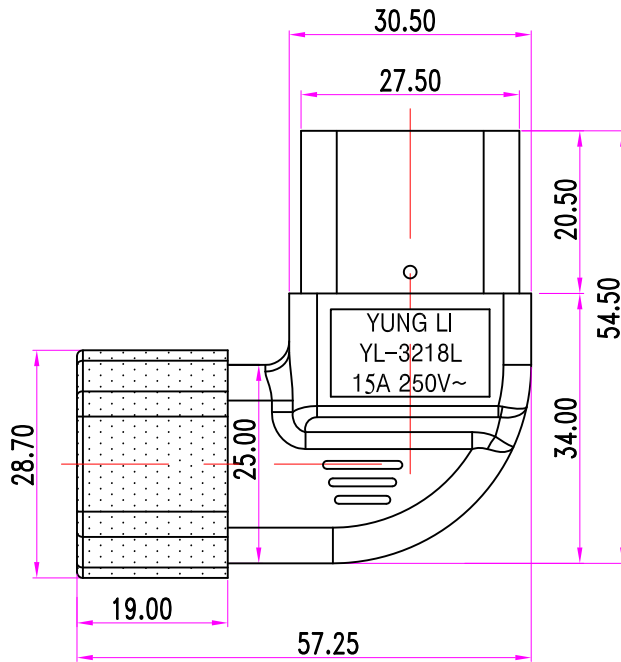
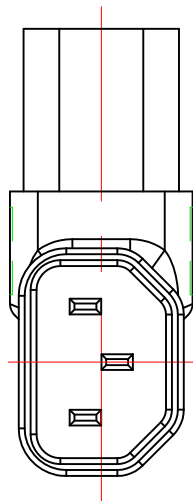


Note:

1. Rating: 15A 250V

2. Insulation Resistance: 100MΩ

3. Dielectric Voltage: 2000V/sec



TOLERANCE >0±0.30 >1.0±0.50 >10.0±1.0 >20.0±2.0 Angle: ±1°	APPROVED		DATE	YUNG LI CO., LTD				
	CHECKED		DATE					
	DRAWN		DATE	CUSTOMER				
	TYPE	YL-3218L			P/N			
	P/N				MATERIAL	P. V. C	UNIT	mm
	DRAWING NO.	CY-A3218L	REV	B	SCALE	1:1		