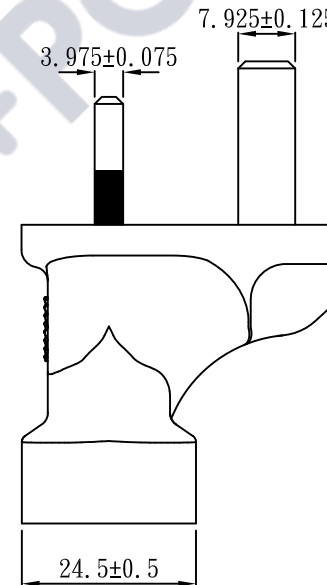
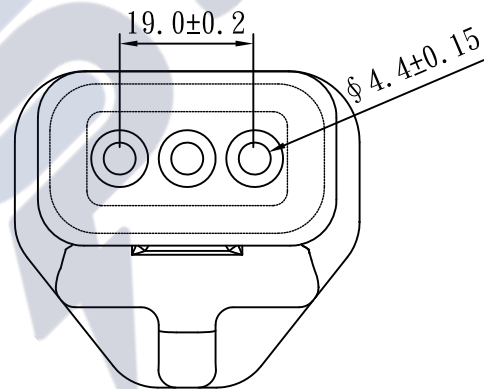
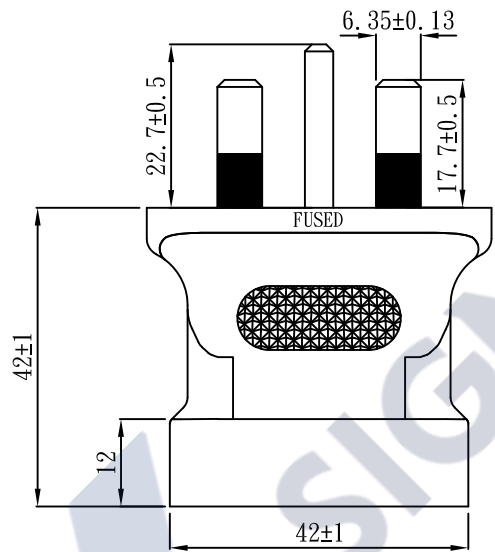
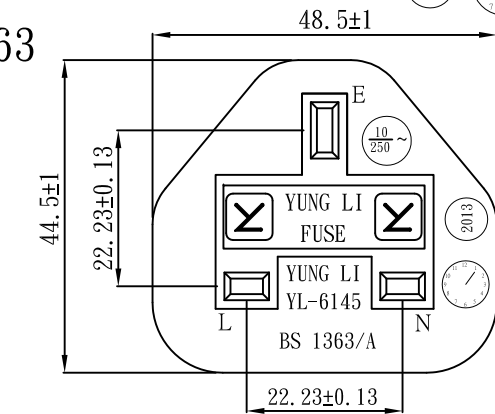


MARKING: YL-6145 YUNG LI 10/250~ BS1363/A

2013



CEI 23-16 to BS1363



Note:

1. Rating: 10A 250V
2. Insulation Resistance: 100M Ω
3. Dielectric Voltage: 2000V/sec

TOLERANCE >0 \pm 0.30 >1.0 \pm 0.50 >10.0 \pm 1.0 >20.0 \pm 2.0 Angle: $\pm 1^\circ$	APPROVED		DATE		YUNG LI CO., LTD			
	CHECKED		DATE					
	DRAWN		DATE		CUSTOMER			
	TYPE	YL-6145			P/N			
	DRAWING NO.	CY-A6145	REV	B	MATERIAL	P. V. C	UNIT	mm
				SCALE	1:1			