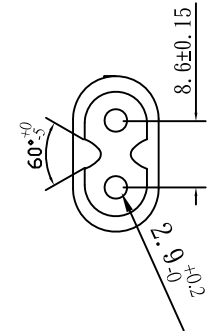
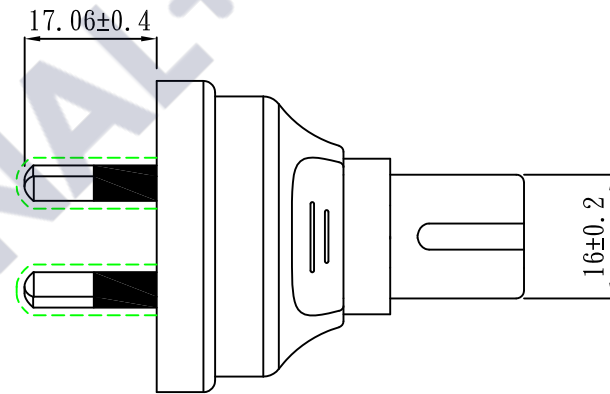
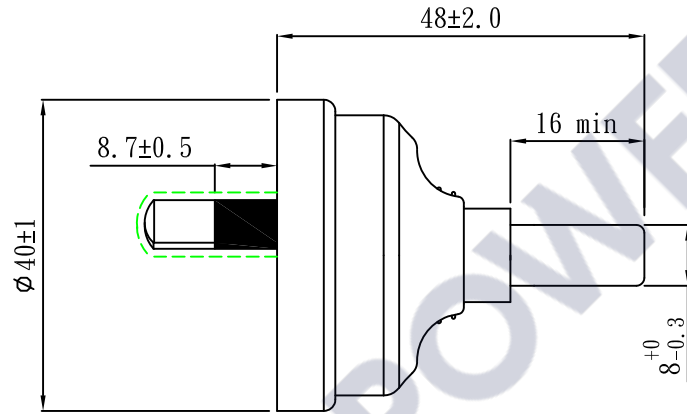
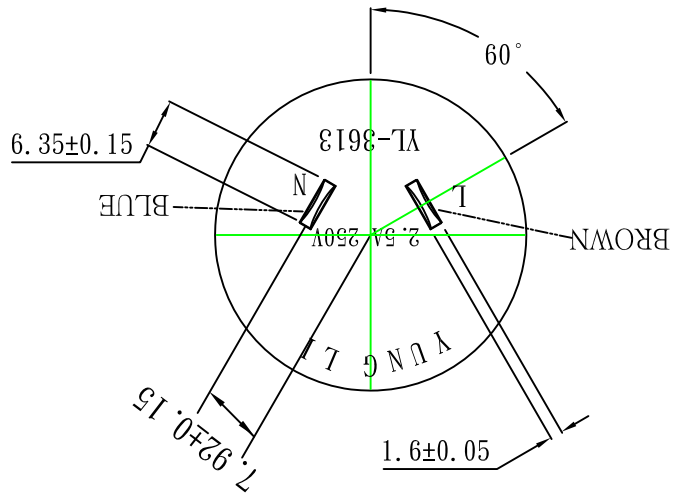


IEC 60320 C7 to AS 3112 Plug



Note:

1. Rating: 2.5A 250V
2. Insulation Resistance: 100MΩ
3. Dielectric Voltage: 2000V/sec

TOLERANCE >0±0.30 >1.0±0.50 >10.0±1.0 >20.0±2.0 Angle: ±1°	APPROVED		DATE		YUNG LI CO., LTD			
	CHECKED		DATE					
	DRAWN		DATE					
	TYPE	YL-3613			P/N			
	DRAWING NO.	YL-A3613			MATERIAL	P. V. C	UNIT	mm
				SCALE	1:1			