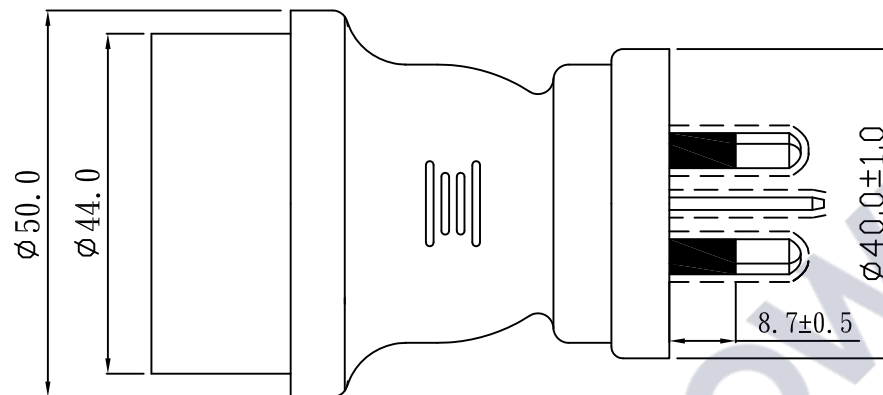
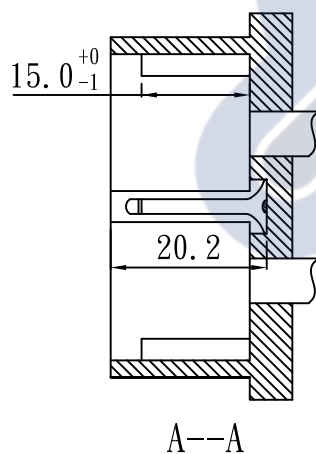
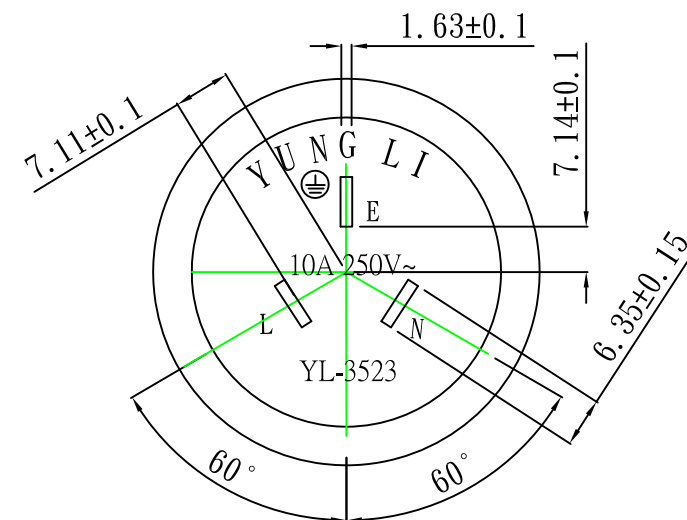
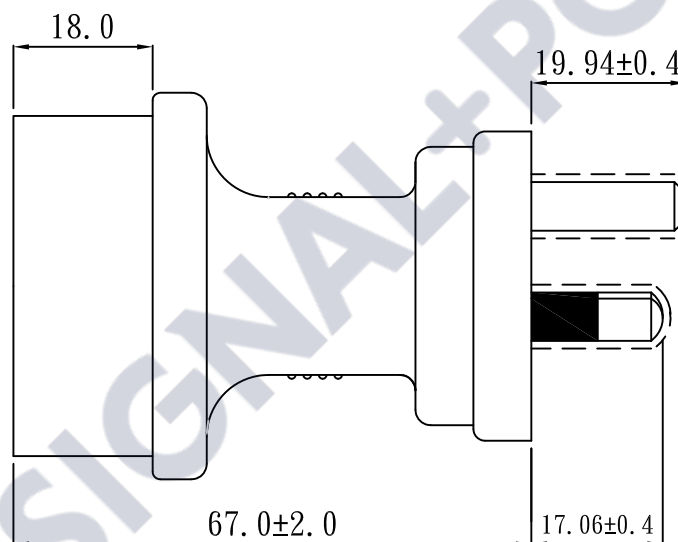
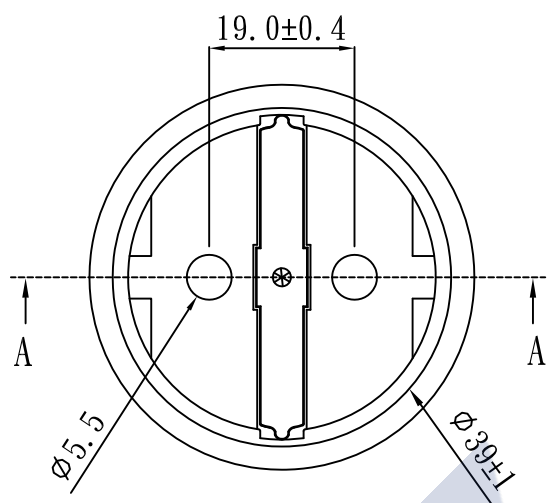


# CEE 7/7 to AS 3112 Plug



Note:

- 1. Rating: 10A 250V
- 2. Insulation Resistance: 100MΩ
- 3. Dielectric Voltage: 2000V/sec



TOLERANCE >0±0.30 >1.0±0.50 >10.0±1.0 >20.0±2.0 Angle: ±1°	APPROVED		DATE		YUNG LI CO., LTD			
	CHECKED		DATE					
	DRAWN		DATE					
	TYPE	YL-3523			P/N			
DRAWING NO.	CY-A3523			MATERIAL	P. V. C	UNIT	mm	
				HEFT(g)	99			