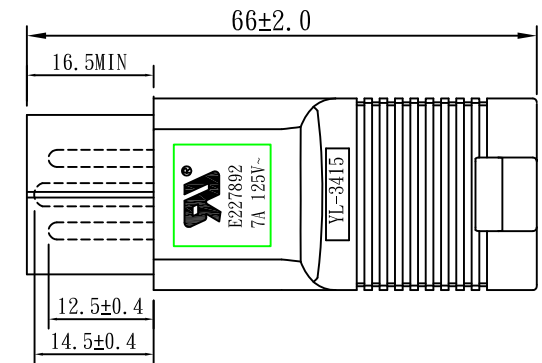
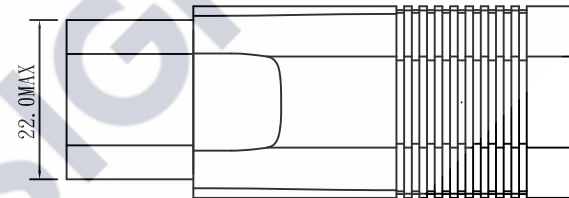
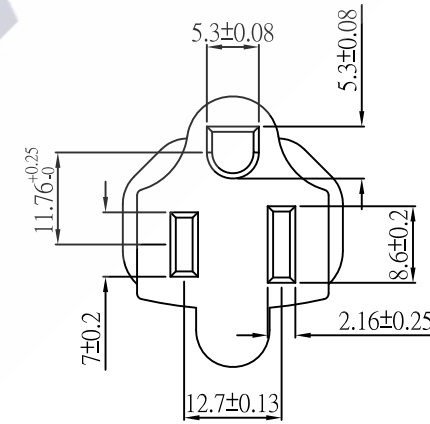
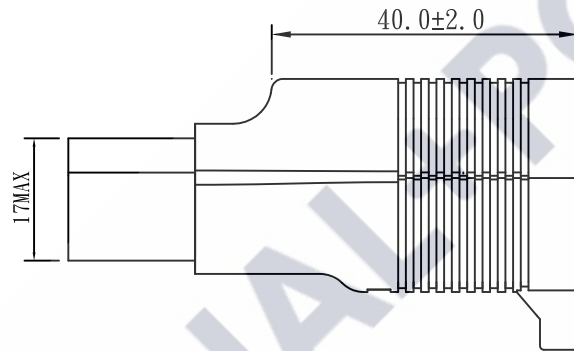
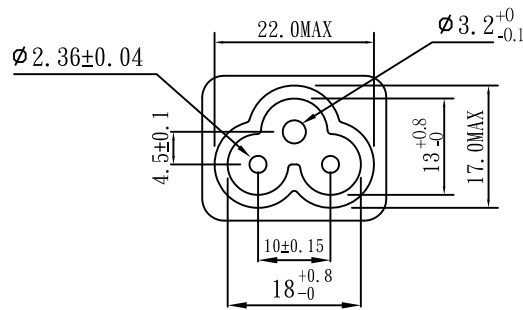




IEC 60320 C6 to NEMA 5-15R

Note:

1. Rating: 7A 125V
2. Insulation Resistance: 100MΩ
3. Dielectric Voltage: 2000V/sec



CAUTION: This plug adapter does NOT transform voltage or current. Verify that your device can safely operate at the voltage supplied by the source before connecting. Assure voltage and current are less than or equal to the rating listed on the adapter. Voltage mismatch can cause damage to your device or even bodily harm.

TOLERANCE >0±0.30 >1.0±0.50 >10.0±1.0 >20.0±2.0 Angle: ±1°	APPROVED		DATE		SIGNAL+POWER			
	CHECKED		DATE					
	DRAWN	SUKI	DATE	21.08.04	CUSTOMER			
	TYPE	YL-3213			P/N			
	DRAWING NO.	CY-A3415U-01	REV	B	MATERIAL	P. V. C	UNIT	mm
				SCALE	1:1			