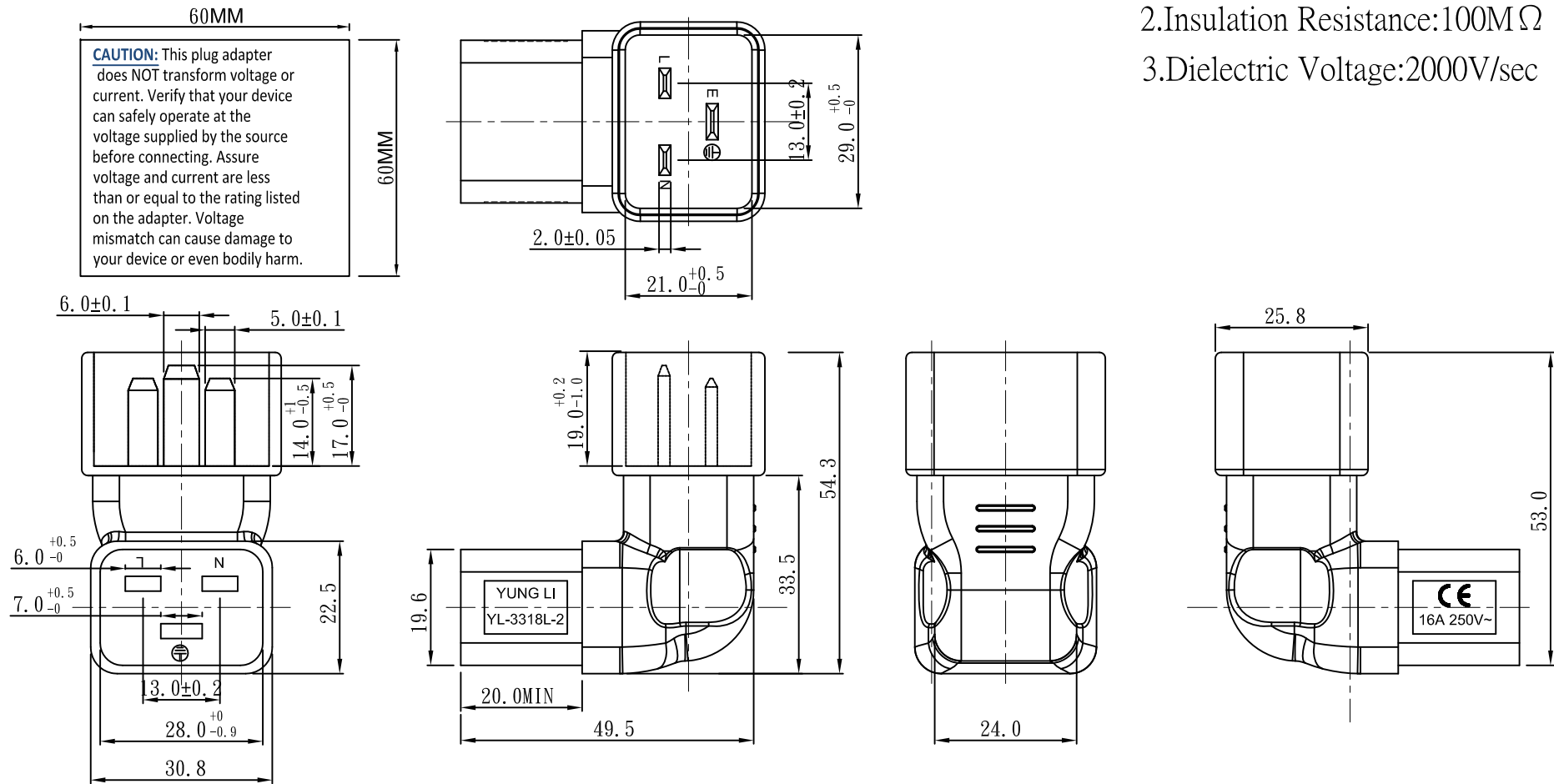


Note:

1.Rating:16A 250V

2.Insulation Resistance:100MΩ

3.Dielectric Voltage:2000V/sec



TOLERANCE >0±0.30 >1.0±0.50 >10.0±1.0 >20.0±2.0 Angle: ±1°	APPROVED		DATE		SIGNAL+POWER			
	CHECKED		DATE					
	DRAWN	SUKI	DATE	21.02.04	CUSTOMER			
	TYPE	YL-3318L-2			P/N			
	DRAWING NO.	CY-A3318L2	REV	B	MATERIAL	P. V. C	UNIT	mm
				SCALE				