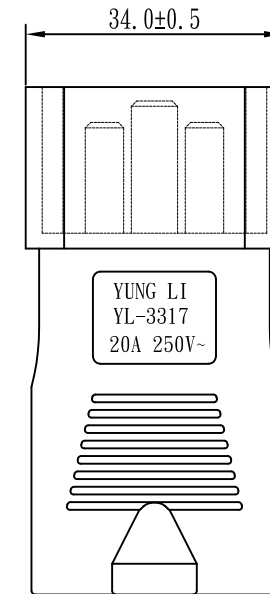
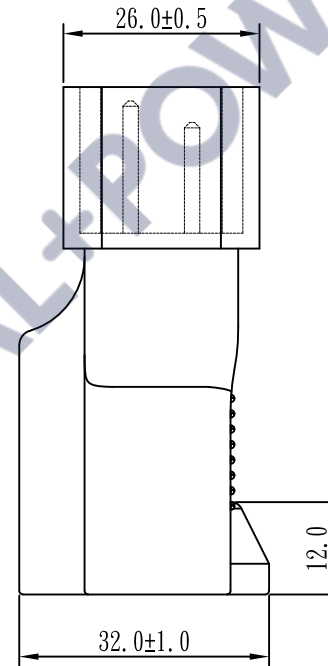
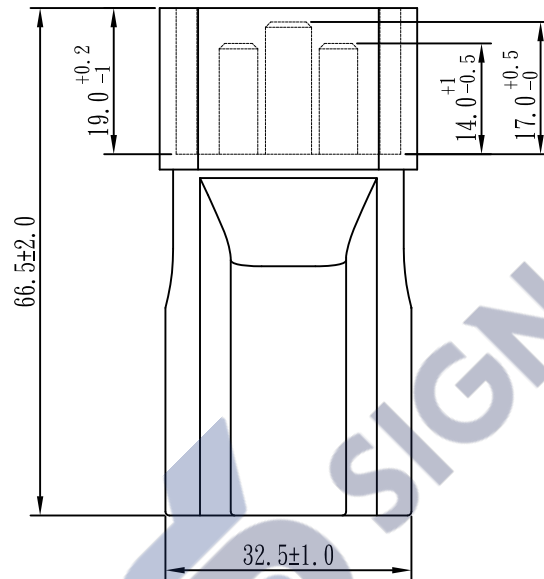
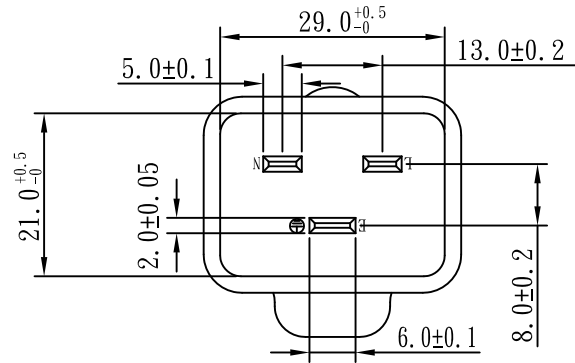


NEMA 5-20R to IEC 60320 C20 Plug

Note:

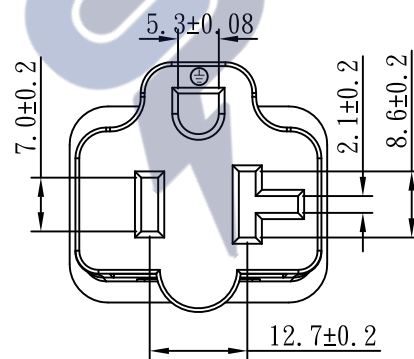
1. Rating: 20A 250V
2. Insulation Resistance: 100MΩ
3. Dielectric Voltage: 2000V/sec



60MM

60MM

CAUTION: This plug adapter does NOT transform voltage or current. Verify that your device can safely operate at the voltage supplied by the source before connecting. Assure voltage and current are less than or equal to the rating listed on the adapter. Voltage mismatch can cause damage to your device or even bodily harm.



TOLERANCE >0±0.30 >1.0±0.50 >10.0±1.0 >20.0±2.0 Angle: ±1°	APPROVED		DATE		SIGNAL+POWER			
	CHECKED		DATE					
	DRAWN	SUKI	DATE	21.02.04	CUSTOMER			
	TYPE	YL-3317			P/N			
	DRAWING NO.	CY-A3317	REV	B	MATERIAL	P. V. C	UNIT	mm
				SCALE				