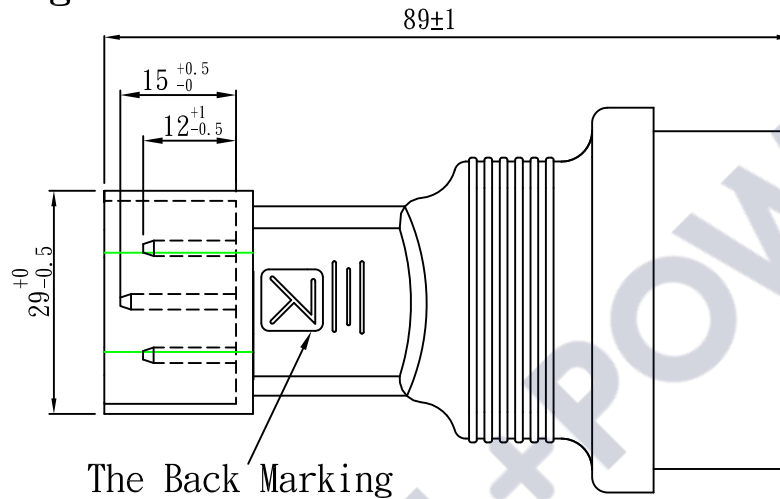
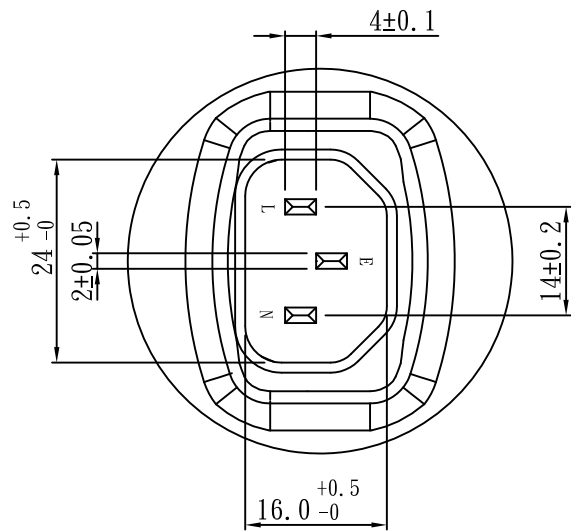
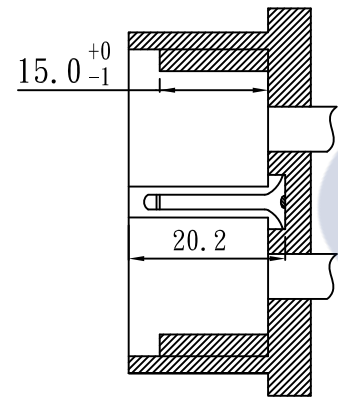
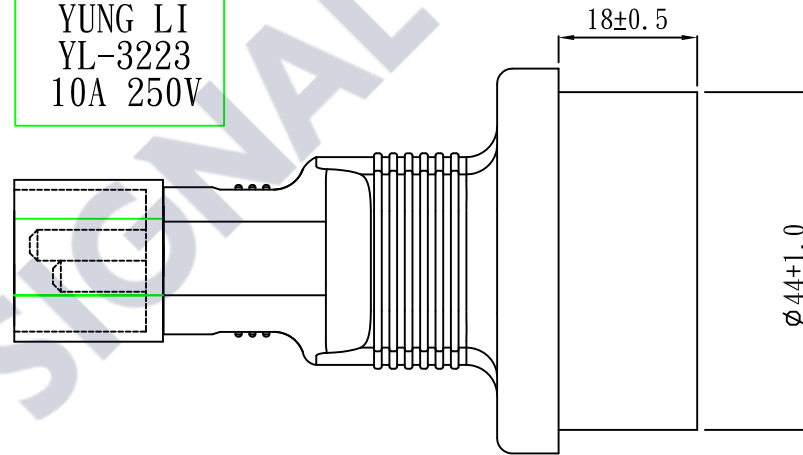


# CEE 7/7 to IEC 60320 C14 Plug



The Back Marking

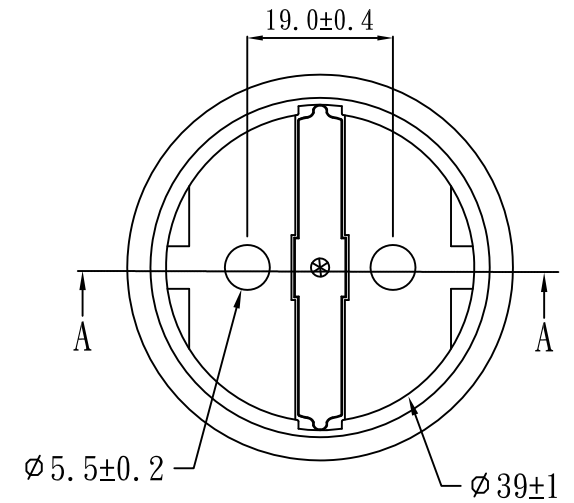
YUNG LI  
YL-3223  
10A 250V



A--A(Broken)

Note:

- 1.Rating:10A 250V
- 2.Insulation Resistance:100MΩ
- 3.Dielectric Voltage:2000V/sec



TOLERANCE >0±0.30 >1.0±0.50 >10.0±1.0 >20.0±2.0 Angle: ±1°	APPROVED		DATE		YUNG LI CO., LTD			
	CHECKED		DATE					
	DRAWN		DATE		CUSTOMER			
	TYPE	YL-3223			P/N			
	DRAWING NO.	CY-A3223	REV	B	MATERIAL	P. V. C	UNIT	mm
				SCALE	1:1			