

IEC 60320 C13 to Right Angle IEC 60320 C14 Plug

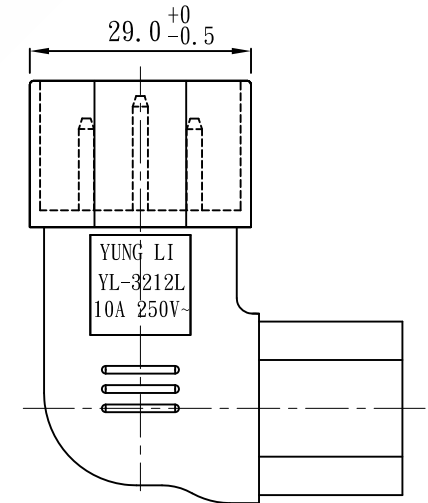
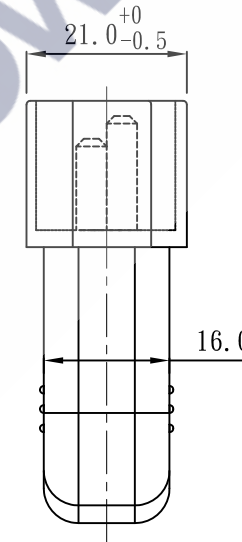
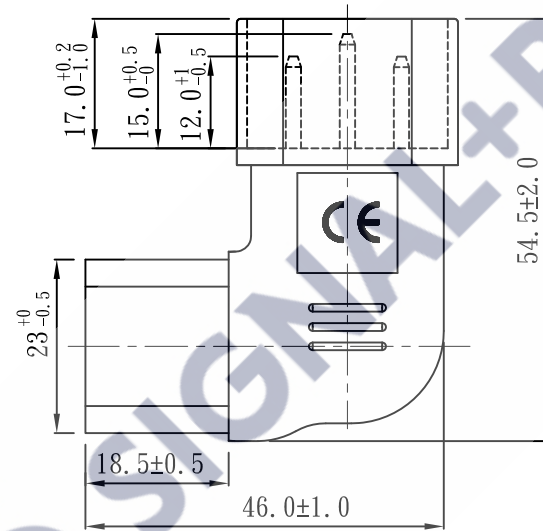
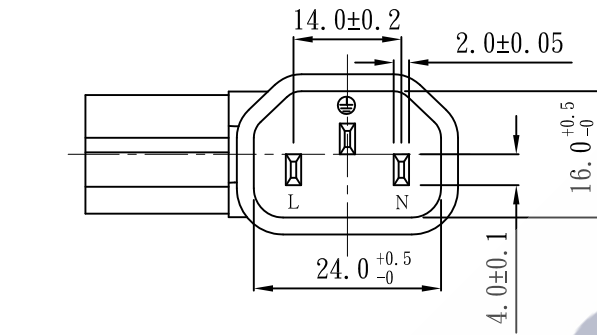
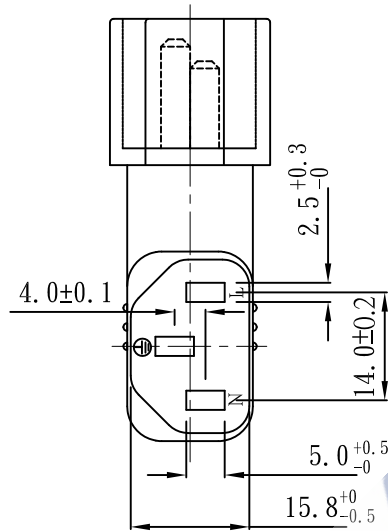
Note:

1. Rating: 10A 250V
2. Insulation Resistance: 100MΩ
3. Dielectric Voltage: 2000V/sec

60MM

CAUTION: This plug adapter does NOT transform voltage or current. Verify that your device can safely operate at the voltage supplied by the source before connecting. Assure voltage and current are less than or equal to the rating listed on the adapter. Voltage mismatch can cause damage to your device or even bodily harm.

60MM



| | | | | | | | | |
|--|-------------|-------------|------|----------|---------------------|---------|------|----|
| TOLERANCE >0±0.30 >1.0±0.50 >10.0±1.0 >20.0±2.0 Angle: ±1° | APPROVED | | DATE | | SIGNAL+POWER | | | |
| | CHECKED | | DATE | | | | | |
| | DRAWN | SUKI | DATE | 21.02.04 | CUSTOMER | | | |
| | TYPE | YL-3212L-CE | | | P/N | | | |
| | DRAWING NO. | | REV | B | MATERIAL | P. V. C | UNIT | mm |
| | | | | SCALE | | | | |