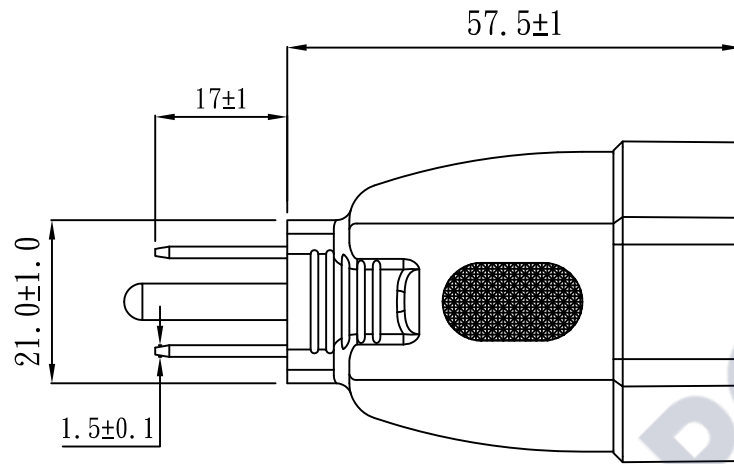
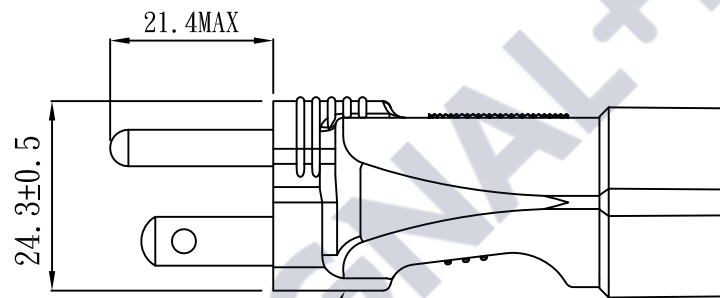
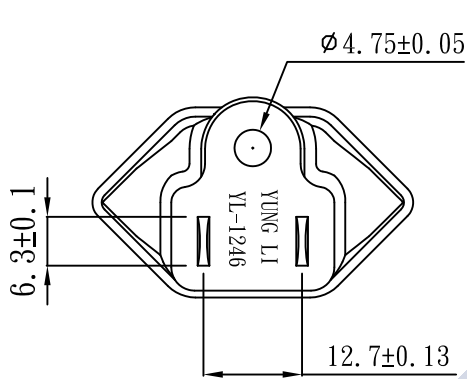


SEV 1011 to NEMA 5-15P



Note:

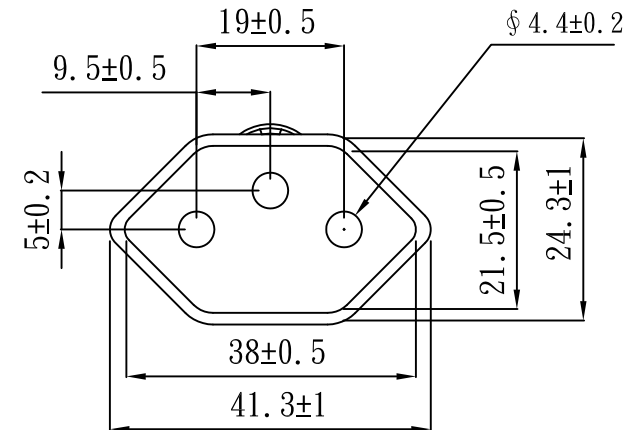
1. Rating: 10A 125V
2. Insulation Resistance: 100MΩ
3. Dielectric Voltage: 2000V/sec



Marking:



10A 125V~



TOLERANCE >0±0.30 >1.0±0.50 >10.0±1.0 >20.0±2.0 Angle: ±1°	APPROVED		DATE		YUNG LI CO., LTD			
	CHECKED		DATE					
	DRAWN		DATE					
	TYPE	YL-1246			P/N			
DRAWING NO.	CY-A1246			MATERIAL	P. V. C	UNIT	mm	
				SCALE	1:1			