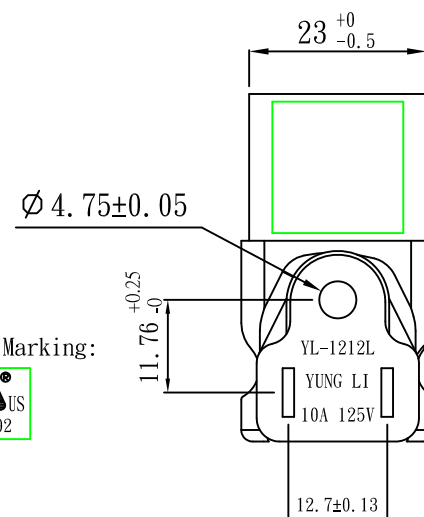
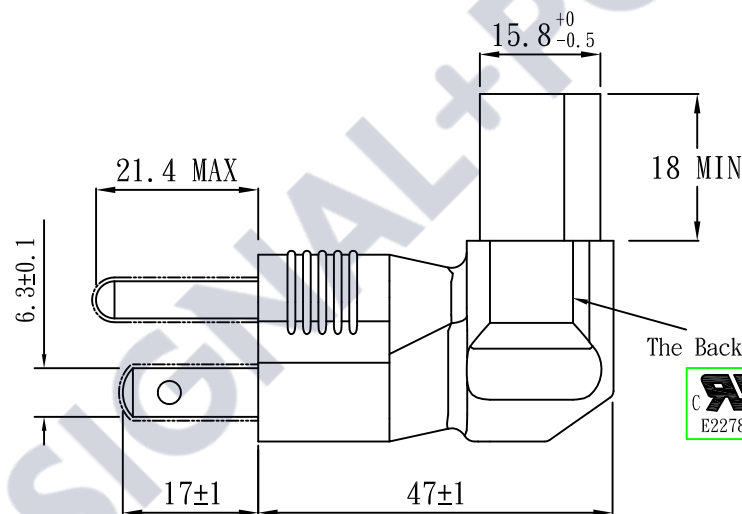
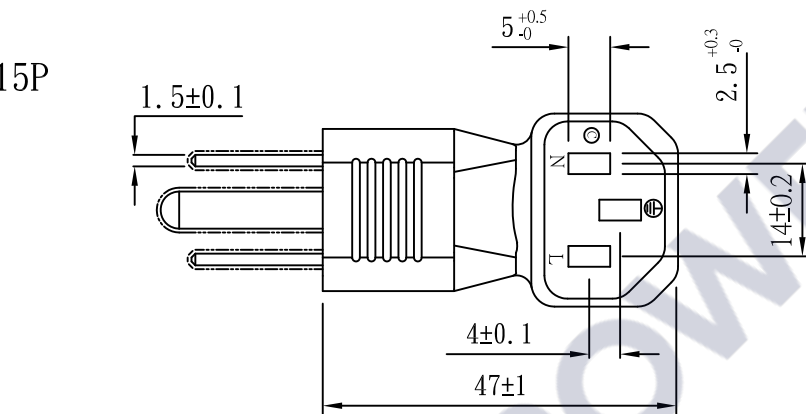
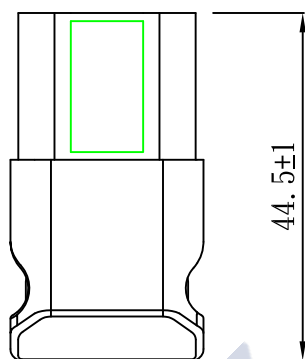




Down Angle IEC 60320 C13 to NAME 5-15P

Note:

1. Rating: 10A 125V
2. Insulation Resistance: 100MΩ
3. Dielectric Voltage: 2000V/sec



The Back Marking:



TOLERANCE >0±0.30 >1.0±0.50 >10.0±1.0 >20.0±2.0 Angle: ±1°	APPROVED		DATE		YUNG LI CO., LTD			
	CHECKED		DATE					
	DRAWN		DATE					
	TYPE	YL-1212L			P/N			
	DRAWING NO.	CY-A1212L			MATERIAL	P. V. C	UNIT	mm
					SCALE	1:1		