

TwyLock C14-C13 10A Locking Power Cords

Part No.: RN03xy



These hybrid cords are certified according to European H05VV and US SJTW cable norms and can be used in any country that uses these standards.

Revision History:

Date	Revision	Who	Comment
2021-08-19	1.0	FRIE	Initial edition

Customer:	Approved by:
SIGNAL+POWER	<i>Tuo Landre</i>

We reserve all rights in this document and its subject matter. The recipient hereby acknowledges these rights and assures the use of this document only for the purpose it was delivered. © Riedo Networks Ltd

1

2

3

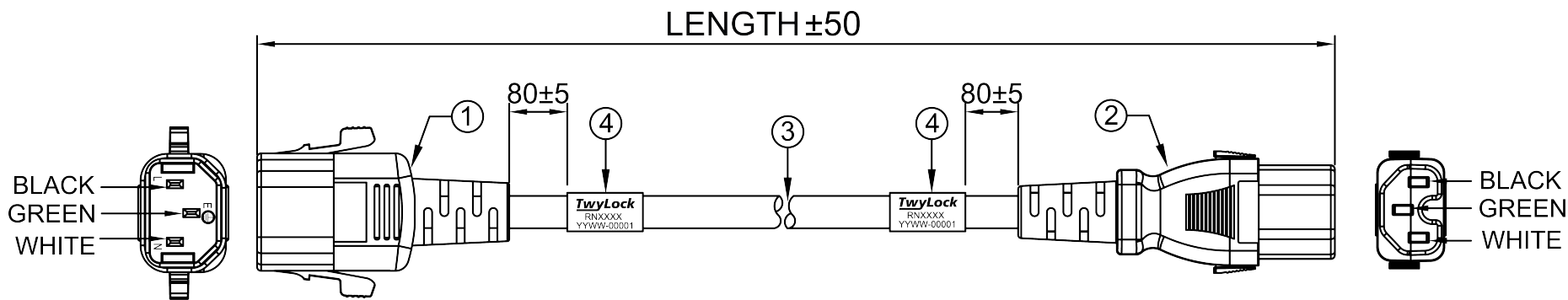
4

5

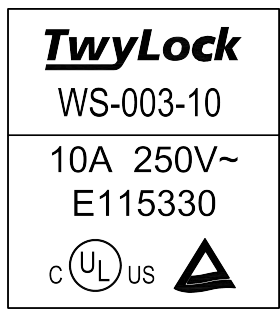
UNITS mm unless otherwise stated

A

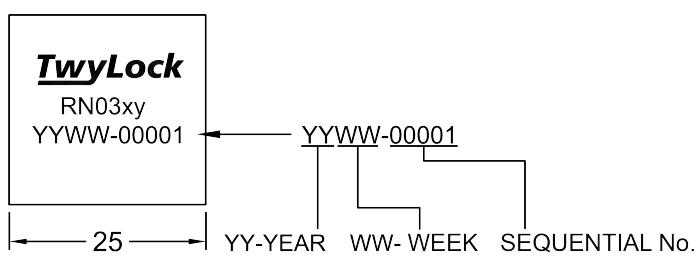
A



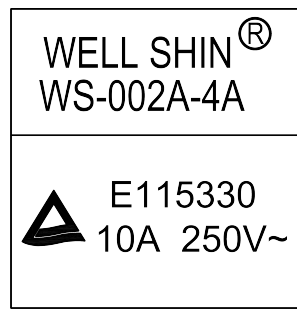
Marking



Labels



Marking



B

B

C

C



UL/CUL according to file E115330
TUV certificates no. R50373087 and R50236799

Note: 10pcs. in one bundle, cables rolled (not kinked)

D

D

Item	Description	Approval
1	IEC 60320 C14, WS-003-10, 10A / 250V	UL,CUL,TUV
2	IEC 60320 C13, WS-002A-4A, 10A / 250V	UL,CUL,TUV
3	SJTW 17AWG 3C 105°C + H05VV-F 3G 1.0MMSQ	UL,CSA,VDE
4	2 Labels with P/N, Seq. No. and Production date	-

TwyLock®		Modification		Scale	
TwyLock® is a registered trademark of Riedo Networks Ltd. - Switzerland		1	Initial	19.08.2021	RWUS FRIE
Title:		Part Number / Part Number Range:		Rev:	
TwyLock Power Cord C14-C13 10A		RN03xy		1	

1

2

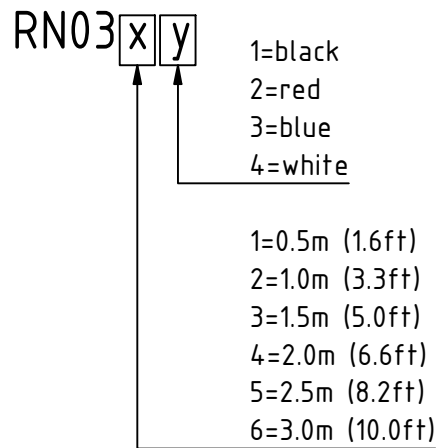
3

4

5

We reserve all rights in this document and its subject matter. The recipient hereby acknowledges these rights and assumes the use of this document only for the purpose it was delivered. © Riedo Networks Ltd

1	2		3		4		5	
Part no.	length (x)	Color (y)	qty/box	kg/box	box dimension	UNITS mm unless otherwise stated		
RN0311	0.5m (1.6ft)	black	100	8.5	46x31x24cm			
RN0312	0.5m (1.6ft)	red	100	8.5	46x31x24cm			
RN0313	0.5m (1.6ft)	blue	100	8.5	46x31x24cm			
RN0314	0.5m (1.6ft)	white	100	8.5	46x31x24cm			
RN0321	1.0m (3.3ft)	black	100	13	46x31x24cm			
RN0322	1.0m (3.3ft)	red	100	13	46x31x24cm			
RN0323	1.0m (3.3ft)	blue	100	13	46x31x24cm			
RN0324	1.0m (3.3ft)	white	100	13	46x31x24cm			
RN0331	1.5m (5ft)	black	100	17	49x31x26cm			
RN0332	1.5m (5ft)	red	100	17	49x31x26cm			
RN0333	1.5m (5ft)	blue	100	17	49x31x26cm			
RN0334	1.5m (5ft)	white	100	17	49x31x26cm			
RN0341	2.0m (6.6ft)	black	50	11	46x31x24cm			
RN0342	2.0m (6.6ft)	red	50	11	46x31x24cm			
RN0343	2.0m (6.6ft)	blue	50	11	46x31x24cm			
RN0344	2.0m (6.6ft)	white	50	11	46x31x24cm			
RN0351	2.5m (8.2ft)	black	50	13	46x31x24cm			
RN0352	2.5m (8.2ft)	red	50	13	46x31x24cm			
RN0353	2.5m (8.2ft)	blue	50	13	46x31x24cm			
RN0354	2.5m (8.2ft)	white	50	13	46x31x24cm			
RN0361	3.0m (10ft)	black	50	15	46x31x24cm			
RN0362	3.0m (10ft)	red	50	15	46x31x24cm			
RN0363	3.0m (10ft)	blue	50	15	46x31x24cm			
RN0364	3.0m (10ft)	white	50	15	46x31x24cm			




TwyLock®	Modification		Scale			
			-			
TwyLock® is a registered trademark of Riedo Networks Ltd. - Switzerland		1	19.08.2021	RWUS	FRIE	Size: A
Title:		Rev	Date	Drawn	Approved	Page 2 of 2
TwyLock Power Cord C14-C13 10A			Part Number / Part Number Range:		Rev:	
			RN03xy		1	

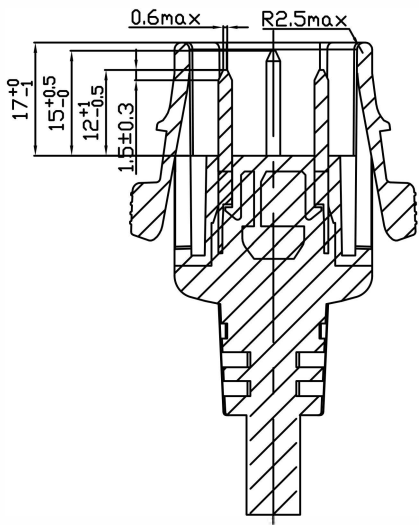
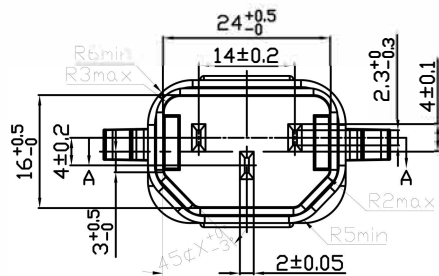
CLIENT TITLE

CLIENT SER NO.

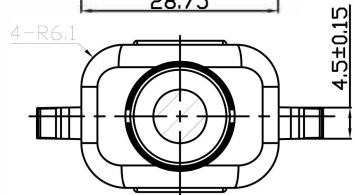
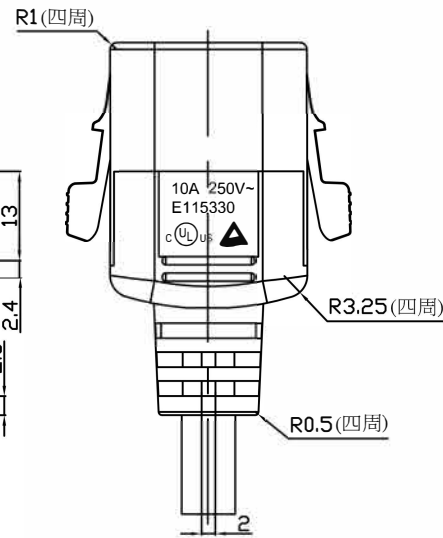
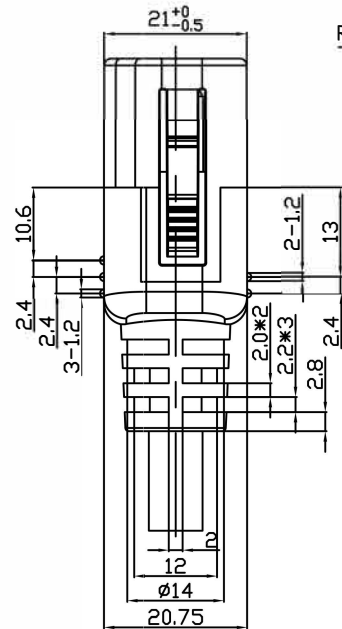
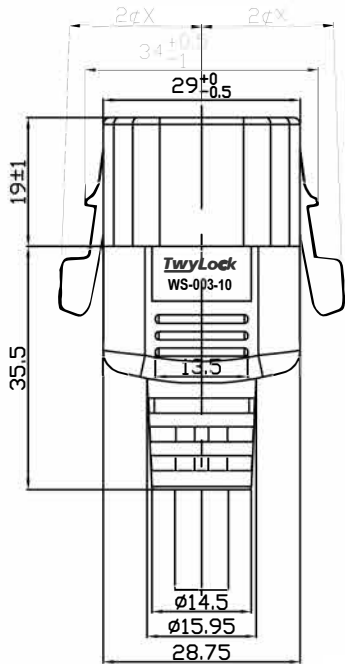
APPROVAL BY :

印字內容(MARKING):

TwyLock
WS-003-10
 10A 250V~
 E115330




SECTION A-A



未註明公差指定 (單位:mm)	
0~5	±0.2
5~15	±0.3
15~30	±0.5
30~100	±0.8
100~300	±1.0
300~1000	±1.2



WELL SHIN TECHNOLOGY CO., LTD

CUSTOMER

CHECK BY :

DRAWING NO

WS-003-10

TITLE

WS-003-10

ORIGINAL DATE

2016.06.07

REMARK

台灣

大陸

UNIT

MM

REV

0

MANAGER

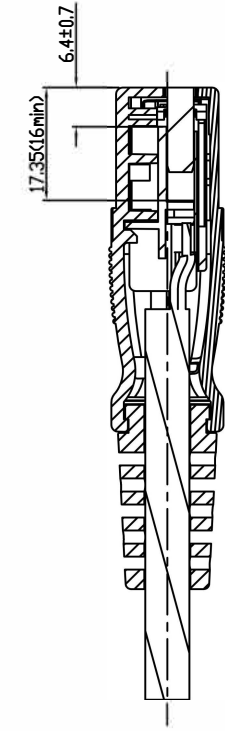
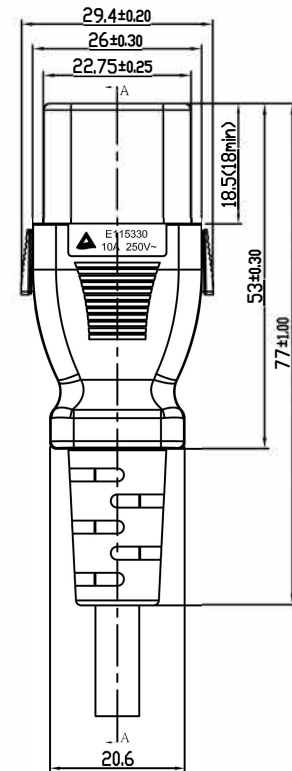
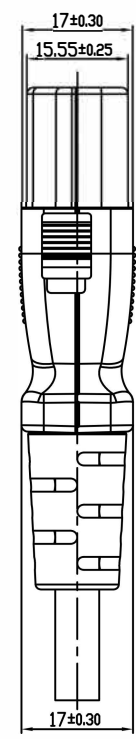
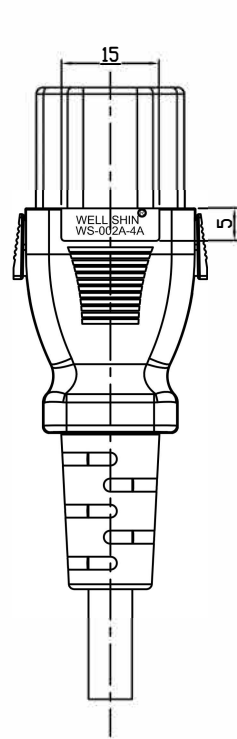
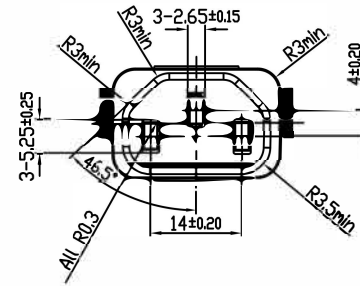
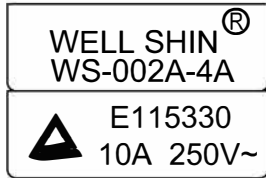
DRAWN BY

CLIENT TITLE

CLIENT SER NO.

APPROVAL BY :

印字内容(MARKING):



未注明公差指定 (单位:mm)	
0~5	±0.2
5~15	±0.3
15~30	±0.5
30~100	±0.8
100~300	±1.0
300~1000	±1.2

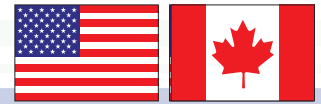


WELL SHIN TECHNOLOGY CO., LTD

CUSTOMER

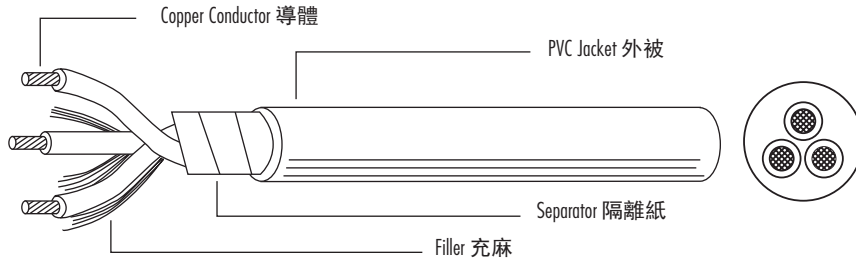
CHECK BY :

DRAWING NO	WS-002A-4	TITLE	WS-002A-4	ORIGINAL DATE	13.08.27				
REMARK	TAIWAN	MAINLAND	UNIT	MM	REV	1	MANAGER	DRAWN BY	



PVC Flexible Cord

- APPROVAL:  
- CONSTRUCTION :



GENERAL DATA :

TYPE 型號	CONDUCTOR (導體)		INSULATION THICKNESS 絕緣厚度 (mm)	JACKET THICKNESS 外被厚度 (mm)	OVERALL DIAMETER 完成外徑 ±0.15(mm)
	SIZE 規格	NO./mm 線數 / 線徑			
SJT SJTW SJTO SJTOO SJTOW SJTOOW	18AWG/2C	41/0.160	0.76	0.76	7.40
	18AWG/3G	41/0.160	0.76	0.76	7.90
	18AWG/4G	41/0.160	0.76	0.76	8.50
	18AWG/5G	41/0.160	0.76	0.76	9.3
	16AWG/2C	26/0.254	0.76	0.76	7.90
	16AWG/3G	26/0.254	0.76	0.76	8.50
	16AWG/4G	26/0.254	0.76	0.76	9.30
	16AWG/5G	26/0.254	0.76	0.76	10.80
	14AWG/2C	41/0.254	0.76	0.76	8.8
	14AWG/3G	41/0.254	0.76	0.76	9.3
	14AWG/4G	41/0.254	0.76	0.76	10.50
	14AWG/5G	41/0.254	0.76	0.76	11.50
	12AWG/2C	65/0.254	0.76	1.14	10.5
	12AWG/3G	65/0.254	0.76	1.14	10.8
	12AWG/4G	65/0.254	0.76	1.14	12.5
	12AWG/5G	65/0.254	0.76	1.14	15.5
10AWG/2C	41/0.405	1.14	1.52	14.0	
10AWG/3G	41/0.405	1.14	1.52	14.7	
10AWG/4G	41/0.405	1.14	1.52	15.5	

Note: Number of circuit conductors 2-5, AWG size of circuit conductors 18-10.
Due to O.D. tolerance, The above information is only for reference.

DESCRIPTION :

Standard: UL 62 Table 6.13 Non-oil-resistant hard-service cords. UL 62 Table 6.12 Oil-resistant hard-service cords.	標準：UL62 表 6.13 非耐油重載供電用軟線。 UL62 表 6.12 耐油重載供電用軟線。
Maximum voltage: 300V. Rated temperature: 60°C .	最大電壓：300V, 額定溫度：60°C。
Conductors material: Soft-annealed copper(7.1 and 7.2).	導體材質：退火軟銅 (7.1 and 7.2)。
Core wire and jacket material: PVC(60°C ,75°C ,90°C ,105°C) .	芯線及外被材質：PVC(60°C ,75°C ,90°C ,105°C)。
The above cords can all be filled with yarn, paper and wrapped braids.	以上線材均可制作成充麻、包紙、纏繞編織。

APPLICATION :

Power supply cord for electrical appliances

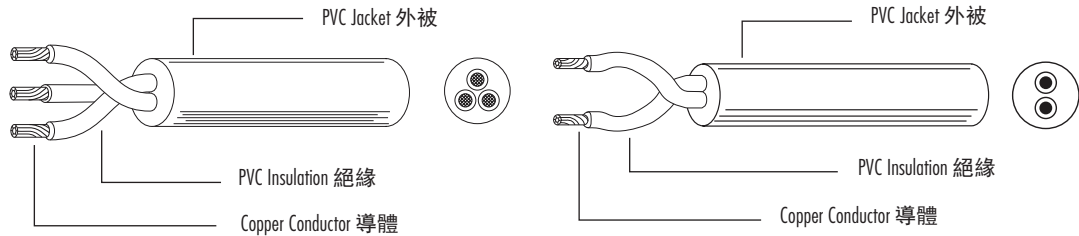
電器產品用電線。





PVC Flexible Cord

- APPROVAL:
- CONSTRUCTION :



GENERAL DATA :

TYPE 型號	CONDUCTOR (導體)		INSULATION THICKNESS 絕緣厚度 (mm)	JACKET THICKNESS 外被厚度 (mm)	OVERALL DIAMETER 完成外徑 ±0.10(mm)
	Area 截面積 (mm ²)	NO./mm 線數 / 線徑			
H05VV-F (Round cords)	0.75*2C	24/0.20	0.6	0.8	6.3
	1.0*2C	32/0.20	0.6	0.8	6.7
	1.5*2C	26/0.254	0.7	0.8	7.9
	2.5*2C	48/0.254	0.8	1	9.3
	4.0*2C	80/0.26	0.8	1.1	10.8
	0.75*3G	24/0.20	0.6	0.8	6.7
	1.0*3G	32/0.20	0.6	0.8	7.1
	1.5*3G	26/0.254	0.7	0.9	8.5
	2.5*3G	48/0.254	0.8	1.1	10.5
	4.0*3G	80/0.26	0.8	1.2	11.5
	0.75*4G	24/0.20	0.6	0.8	7.1
	1.0*4G	32/0.20	0.6	0.9	8.0
	1.5*4G	26/0.254	0.7	1	9.3
	2.5*4G	48/0.254	0.8	1.1	11
4.0*4G	80/0.26	0.8	1.2	13.5	
0.75*5G	24/0.20	0.6	0.9	8.30	

Note: Number of circuit conductor 2-5G, Area 0.75-4.0mm².

DESCRIPTION :

Standard: HD 21.5 S2 Part5: Ordinary polyvinyl chloride sheathed cord.	標準：HD 21.5 S2 Part5: 一般型 PVC 外被電線。
Rated voltage: 300V/500V.	額定電壓：300V/500V。
Maximum conductor operation temperature: 60°C .	最大導體溫度：60°C。
Conductor: Bare or tinned copper	導體材質：裸銅或鍍錫銅
Insulation: Polyvinyl chloride compound of type T12.	絕緣材質：PVC。
Jacket material: Polyvinyl chloride compound of type TM2.	外被材質：PVC。
Color code: 2-core: blue and brown.	色碼：2 色：藍、棕；
3-core: green, yellow, blue and brown.	3 色：藍、棕、綠底黃條（地線）。

APPLICATION :



Suitable for indoor small electrical instruments power supply wire.
www.wellshin.com.tw

適用於小型室內器具，家電產品電力供應線。

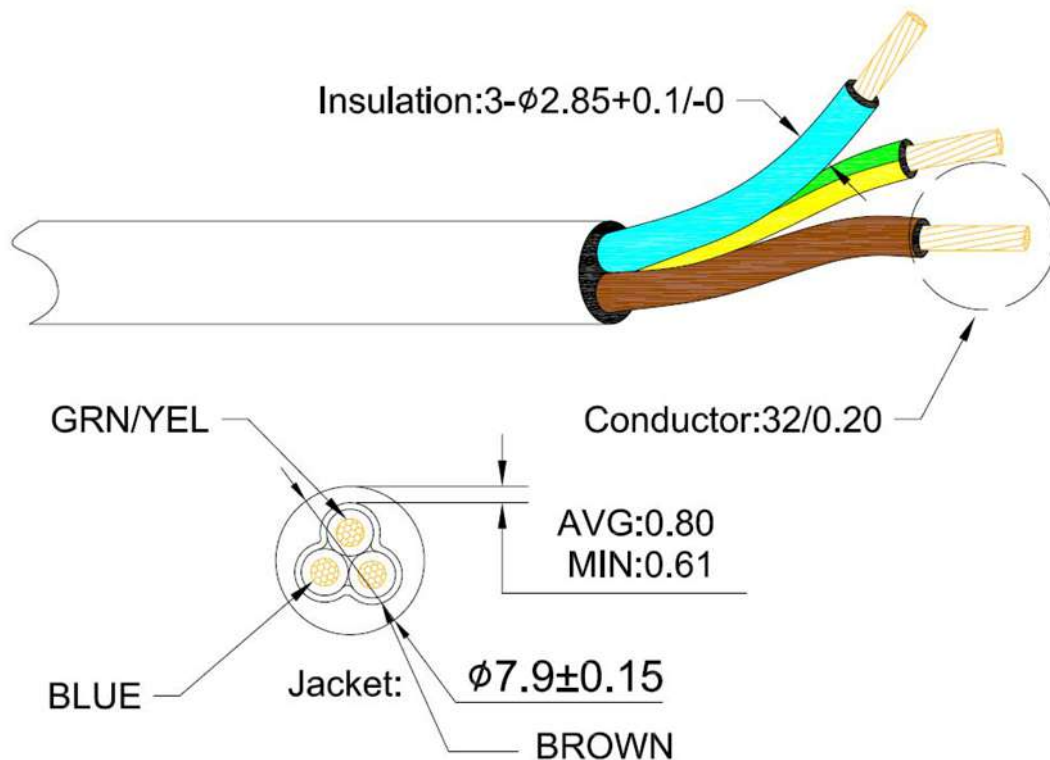


FLEXIBLE CORD TECHNICAL DATA

STYLE	SJTW 17AWG 3C 105°C+H05VV-F 3G 1.00MMSQ	
Component	Cord Type	H05VV-F
	Cord No.	3C
Conductor	Size (mm)	1.0
	Construction (NO./mm)	32/0.20
Insulation	Material	PVC
	Average Thickness (mm)	0.76
	Minimum Thickness (mm)	0.69
	Over Diameter (mm)	2.85+0.1/-0
	Color	BROWN、BLUE、GRN/YEL
Jacket	Material	PVC
	Average Thickness (mm)	0.80
	Minimum Thickness (mm)	0.61
	Web (mm)	/
	Over Diameter (mm)	7.9±0.15
	Color	BLACK OR COLORED

Marking : (UL)SJTW E90165 VW-1 300V 105°C 3X1.04mm²(17AWG) CSA TYPE SJTW 105°C 3X1.04mm²(17AWG) FT1
 300V LL57855 WELL SHIN H05VV-F 3G 1.0mm² <VDE> (F) (D) (N) (S) (S) IEMMEQU WELL SHIN+D V-75 250/440V
 ORDINARY DUTY NSW24707  WELL SHIN 

Construction Drawing



IEC CONFIGURATION

Cat. No.	Config.	Cord AWG	Electrical A/V	Sec.	Fig.	C-UL
WS-003,-003A	C14	18,17,16,15,14 /3	10,10,13,15,15/ 125 or 250	3	1	Yes
WS-003	C14	18/2	2.5,7,10/125 or 250	3	1	Yes
WS-003C-1, -2, -R, -L	C14	18,17,16,15,14 /3	10,10,13,15,15/125 or 250	3	4	Yes
*WS-079	Sheet C	18,16/2	7/125 or 2.5/250	1	12	Yes
*WS-079-C	Sheet C	18,16/2	7/125 or 2.5/250	1	-	Yes
*WS-079-1	Sheet C	18/2	7/125 or 2.5/250	1	12A	Yes
*WS-003D	Sheet I	17,16,15,14,12 /3	10,13,15,18,20/ 125 or 250	3	2	Yes
*WS-003D-L, -R	Sheet I	16,15,14,12/3	13,15,18,20/125 or 250	3	5,6	Yes
*WS-003E	Sheet G	18,16,14/2	10,13,15/125 or 250	3	3	Yes
*WS-134	Sheet A	18/3	7/125 or 2.5/250	3	7	Yes
WS-003-4	C14	18,17,16/3	10,10,13/125 or 250	3	8	Yes
WS-003D-4	C20	16,14,12/3	13,16,20/125 or 250	3	9	Yes
WS-134-1	C6	18/3	7,10/125 or 250	3	10	Yes
WS-079-3	C8	18,18,16/2	2.5,10,13/125 or 250	3	11	Yes
WS-003A-1	C14	18,17/3	10,10/250	3	12,13	Yes
WS-003-10	C14	18,17,16,14/3	10,10,13,15/125 or 250	3	14	Yes
WS-003-2	Sheet E	18/3	10/125 or 250	9	1	Yes
WS-003D-10	Sheet I	16,15,14,12/3	13,15,15,20/125 or 250	3	15	Yes

NON-STANDARD CONFIGURATION

Cat. No.	Cord AWG	Electrical A/V	Sec.	Fig.	C-UL
PPC-25P-A, -B, -C, -D, -E	12/3	25/250	1	11	Yes
PPC-25P-5A, -B, -C, -D	10/5	30/250	1	13	Yes
PPC-25P-5AL, -BL, -CL, -DL	10/5	30/250	1	13	Yes
WS-001B14	16,14/2	13,15/125	1	18	Yes
WS-196	10/3	30/250	1	20	Yes
WS-196-1	10/3	30/125	1	20	Yes
WS-197	14,12/3	16,16/125	1	21	Yes

Zertifikat

Certificate



Zertifikat Nr. *Certificate No.*
R 50373087

Blatt *Page*
0001

Ihr Zeichen *Client Reference*

Unser Zeichen *Our Reference*

Ausstellungsdatum

Date of Issue

05-chenalle-50068141 002 07.03.2017 (day/mo/yr)

Genehmigungsinhaber *License Holder*

Riedo Networks Ltd
Route de la Fonderie 6,1700
Fribourg
Switzerland

Fertigungsstätte *Manufacturing Plant*

05-chenalle-50068141 001

Prüfzeichen *Test Mark*



Geprüft nach *Tested acc. to*

EN 60320-1:2015

Zertifiziertes Produkt (Geräteidentifikation)

Certified Product (Product Identification)

Lizenzentgelte - Einheit

License Fee - Unit

Connector (Plug connector)

Type Designation : WS-003-10
Trademark : TwyLock
Rated Voltage : AC 250V
Rated Current : 10A
Number of Poles : 2+PE
Standard Sheet : E
Protection Class : I
Degree of Protection : IP20
Pollution Degree : 2

5

Remark: The labelling requirements acc. to EU Directive 2001/95 have to be observed for distribution within the EEA. The installation has to be carried out according to installation instruction accompanying the products.

5

Dem Zertifikat liegt unsere Prüf- und Zertifizierungsordnung zugrunde und es bestätigt die Konformität des Produktes mit den oben genannten Standards und Prüfgrundlagen. Zusätzliche Anforderungen in Ländern, in denen das Produkt in Verkehr gebracht werden soll, müssen zusätzlich betrachtet werden. Die Herstellung des zertifizierten Produktes wird überwacht. This certificate is based on our Testing and Certification Regulation and states the conformity of the product with the standards and testing requirements as indicated above. Any additional requirements in countries where the product is going to be marketed have to be considered additionally. The manufacturing of the certified product is subject to surveillance.

TÜV Rheinland LGA Products GmbH, Tillystraße 2, 90431 Nürnberg

Tel.: +49 221 806-1371 e-mail: cert-validity@de.tuv.com

Fax: +49 221 806-3935 http://www.tuv.com/safety



IEC CONFIGURATION

Cat. No.	Config.	Cord AWG	A/V	Sec.	Fig.	C-UL
WS-002E	C17	18,16,14/2	10,13,15/125,250	2	-	Yes
WS-002E-1	C17	18,16,14/2	10,13,15/125,250	2	-	Yes
WS-002E-R	C17	18,16,14/2	10,13,15/125,250	2	-	Yes
WS-002E-2	C17	18,16,14/2	10,13,15/125,250	2	-	Yes
WS-002E-L	C17	18,16,14/2	10,13,15/125,250	2	-	Yes
WS-002F	C19	18,17,16,15,14,12/3	10,10,13,15,15,20/125 or 250	2	6	Yes
WS-002F-1	C19	18,17,16,15,14,12/3	10,10,13,15,15,20/125 or 250	2	6A	Yes
WS-002F	C19	18,17,16,15,14,12/3	10,10,13,15,15,20/125 or 250	2	61	Yes
(A.C.1)						
WS-002-18	C13	18,16,14/3	10,13,15/125,250	2	28	Yes
WS-002B1	C13	18,18,16,14/3	7,10,13,15/125,250	2	29	Yes
WS-002F-2	C19	18,17,16,15,14,12/3	10,10,13,15,15,20/125 or 250	2	6A	Yes
WS-002H	C23	18,17,16,15,14,12/2	10,10,13,15,15,16/125 or 250	2	6	Yes
WS-027	C7	18,18,18,16/2	2.5,5,7,7/125 or 2.5/250	2	4	Yes
*WS-027	C7	18,16/2	7,7/125 or 2.5/250	2	41	Yes
(A.C.1)						
WS-027A	C7	18,18,16/2	7,10,13/125,250	2	-	Yes
*WS-027A-2	C7	18,16/2	7,7/125 or 2.5/250	2	4A	Yes
*WS-027B	C7	18,16/2	7,7/125 or 2.5/250	2	4C	Yes
*WS-027C	C7	18,16/2	7,7/125 or 2.5/250	2	4D	Yes
*WS-027D	C7	18,16/2	7,7/125 or 2.5/250	2	4E	Yes
*WS-027-H	C7	18,16/2	7,7/125 or 2.5/250	2	4B	Yes
WS-029	C1	20,18/2	2,2/250	2	9	Yes
*WS-083	C5	18,17/3;18,17/2	7/125 or 2.5/250	2	5	Yes
WS-083-1	C5	18,17/3	7/125 or 2.5/250	2	5	Yes
WS-083-2	C5	18,17/3	7/125 or 2.5/250	2	5	Yes
WS-083-4	C5	18/3	10/125,250	2	7	Yes
WS-083-5	C5	18/2	10/125,250	2	7	Yes
*WS-083-6	C5	18, 17/3	7/125 or 2.5/250	2	5A	Yes
WS-002-4	C13	18/3	10/125,250	2	8	Yes
WS-002-21	C13	18/3	10/125	2	36	Yes
WS-002-20A	C13	16,14/3	13,15/125,250	2	37	Yes
WS-027-5	C7	18/2	10/125,250	2	48	Yes
WS-083-A	C5	18/3	10/125,250	2	49	Yes
WS-002A-3	C13	18/3	10/125,250	2	50	Yes
*WS-027-7	C7	18/2	7/125 or 2.5/250	2	58	Yes
WS-027D-3	C7	18/2	2.5 or 10/125	2	59	Yes
			10/250	2	59	Yes
WS-002-23	C13	18,18,16,14/3	7,10,13,15/125 or 250	6	1	Yes
WS-027-8	C7	18/2	7,10/125 or 250	6	2	Yes
WS-002A-4A	C13	18,18,17,16,15,14/3	7,10,10,13,10,15/125 or 250	6	5	Yes
WS-002F-11	C19	16,15,14,14,12/3	13,15,15,16,20/125 or 250	6	6	Yes
WS-083-C	C5	18/3	10/125	6	7	Yes
WS-002A-4	C13	18,18,17/3	7,10,10/125 or 250	6	8	Yes
WS-002A-4A	C13	18/3	7,10/125 or 250	6	-	Yes
(A.C.1)						
WS-002E-3	C17	18/2	7,10/125 or 250	6	9	Yes
WS-002A-R4	C13	18,18,17,16/3	7,10,10,13/125 or 250	6	10	Yes
WS-027D-4	C7	18/2	7/125	6	11	Yes
WS-027-11	C7	18/2	2.5/125	6	12	Yes
WS-002F-0	C19	16,14,12/3	13,15 or 16,20/ 125 or 250	6	14	Yes
WS-002G-4	C21	16,14,14,12/3	13,15,16,20/125 or 250	6	15	Yes
*WS-027D-5	C7	18/2	7/125 or 2.5/250	6	16	Yes
WS-002A- L5, WS- 002A-R5	C13	18,18,17,16,15,14/3	7,10,10,13,15,15/125 or 250	6	17	Yes
WS-002B-6, WS-002B-7	C13	18,18,17,16,15,14/3	7,10,10,13,15,15/125 or 250	6	18	Yes

Zertifikat

Certificate



Zertifikat Nr. *Certificate No.*
R 50236799

Blatt *Page*
0001

Ihr Zeichen *Client Reference*

Unser Zeichen *Our Reference*
05-LY- 16041203 001

Ausstellungsdatum
12.09.2012

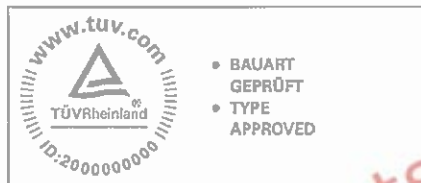
Date of Issue
(day/mo/yr)

Genehmigungsinhaber *License Holder*
Well Shin Technology Co., Ltd.
No. 196, Xinqu 3rd Rd.
Neihu, Taipei City 114
Taiwan

Fertigungsstätte *Manufacturing Plant*
Dongguan Well Shin Electronic
Products Co., Ltd.
Chang Long Control District
Hwang Jiang Cheng
Dongguan, Guangdong 523766
P.R. China

Prüfzeichen *Test Mark*

Geprüft nach *Tested acc. to*
EN 60320-1:2001+A1



Zertifiziertes Produkt (Geräteidentifikation)
Certified Product (Product Identification)

Lizenzentgelte - Einheit
License Fee - Unit

Steckverbinder (Connector)

Type Designation : WS-002A-4 WS-002A-4A
Rated Voltage : AC 250V
Rated Current : 10A
Number of Poles : 2+PE
Standard Sheet : C13
Protection Class : I
Degree of Protection : IP20
Pollution Degree : 2

6

Remark: The labelling requirements acc. to EU Directive 2001/95 have to be observed for distribution within the EEA. The installation has to be carried out according to installation instruction accompanying the products.

6

ANLAGE (Appendix): 1

Dem Zertifikat liegt unsere Prüf- und Zertifizierungsordnung zugrunde und es bestätigt die Konformität des Produktes mit den oben genannten Standards und Prüfgrundlagen. Zusätzliche Anforderungen in Ländern, in denen das Produkt in Verkehr gebracht werden soll, müssen zusätzlich betrachtet werden. Die Herstellung des zertifizierten Produktes wird überwacht.
This certificate is based on our Testing and Certification Regulation and states the conformity of the product with the standards and testing requirements as indicated above. Any additional requirements in countries where the product is going to be marketed have to be considered additionally. The manufacturing of the certified product is subject to surveillance.

Zertifizierungsstelle



TÜV Rheinland LGA Products GmbH - Tillystraße 2 - 90431 Nürnberg
Tel.: (+49/221)8 06 - 13 71 e-mail: cert-validity@de.tuv.com
Fax: (+49/221)8 06 - 39 35 http://www.tuv.com/safety

Dipl.-Ing. (FH) T. Zimmer

Well Shin Technology Co., Ltd.
Ms. Y. T. Lien
-
No. 196, Xinhua 3rd Rd.
Neihu, Taipei City 114
Taiwan

Date : 10.04.2018
Our ref. : ZHANGVIVI 05
Your ref.:

Ref : R TÜV-Mark Approval

Type of Equipment : Connector
Model Designation : See Certificate
Certificate No. : R 50236799 0003
Report No. : 16041203 004

Dear Ms. Y. T. Lien,

The above specified technical equipment has been tested and found to be in accordance with the relevant requirements.

Enclosed you will find the certificate of approval.

If cancellation of the certificate is submitted by November 15 in a given year, no fee will be charged for the following year.

We appreciate your kind support and would like to offer our assistance and continuous services in the future.

Please contact our office for approval of your new products.

With kind regards,

Certification Body

G. Yin

Enclosure

证书的详细资料请登陆www.certipedia.com查阅,或拨打我司客服热线800 999 3668 / 400 883 1300咨询

Zertifikat

Certificate



Zertifikat Nr. *Certificate No.*
R 50236799

Blatt *Page*
0003

Ihr Zeichen *Client Reference*

Unser Zeichen *Our Reference*

Ausstellungsdatum

Date of Issue
(day/mo/yr)

05-ZHANGVIVI- 16041203 004 10.04.2018

Genehmigungsinhaber *License Holder*

Well Shin Technology Co., Ltd.
No. 196, Xihu 3rd Rd.
Neihu, Taipei City 114
Taiwan

Fertigungsstätte *Manufacturing Plant*

Dongguan Well Shin Electronic
Products Co., Ltd.
Chang Long Control District
Hwang Jiang Cheng
Dongguan, Guangdong 523766
P. R. China

Prüfzeichen *Test Mark*

Geprüft nach *Tested acc. to*
EN 60320-1:2015



Zertifiziertes Produkt (Geräteidentifikation)
Certified Product (Product Identification)

Lizenzentgelte - Einheit
License Fee - Unit

Steckverbinder (Connector)

as page 0001-0002

Change

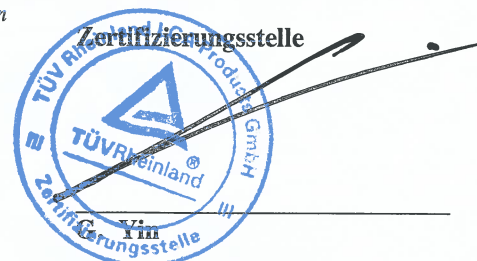
Test Requirement : see above

Standard Sheet : sheet C13 according to EN 60320-3:2014

Remark: The labelling requirements acc. to EU Directive 2001/95 have to be observed for distribution within the EEA. The installation has to be carried out according to installation instruction accompanying the products.

Dem Zertifikat liegt unsere Prüf- und Zertifizierungsordnung zugrunde und es bestätigt die Konformität des Produktes mit den oben genannten Standards und Prüfgrundlagen. Zusätzliche Anforderungen in Ländern, in denen das Produkt in Verkehr gebracht werden soll, müssen zusätzlich betrachtet werden. Die Herstellung des zertifizierten Produktes wird überwacht.
This certificate is based on our Testing and Certification Regulation and states the conformity of the product with the standards and testing requirements as indicated above. Any additional requirements in countries where the product is going to be marketed have to be considered additionally. The manufacturing of the certified product is subject to surveillance.

TÜV Rheinland LGA Products GmbH - Tillystraße 2 - 90431 Nürnberg
Tel.: (+49/221)8 06 - 13 71 e-mail: cert-validity@de.tuv.com
Fax: (+49/221)8 06 - 39 35 <http://www.tuv.com/safety>



INDEX

	<u>Type</u>	<u>Section</u>
*	SPT-1, SPT-2, SPT-3, NISPT-1, NISPT-2	1
	SVT, SJT, ST, SJTO, STO, SJTW, STW	2
	Clock Cords	5

ZEICHENGENEHMIGUNG MARKS APPROVAL

Well Shin Technology Co., Ltd.
No. 196 Xinhu 3rd Road
114 NEIHU DISTRICT, TAIPEI CITY
TAIWAN

ist berechtigt, für ihr Produkt /
is authorized to use for their product

Starkstromleitungen für allgemeine Anwendungen
- Flexible Leitungen
mit thermoplastischer PVC-Isolierung
Cables for general applications
- Flexible cables with
thermoplastic PVC insulation

die hier abgebildeten markenrechtlich geschützten Zeichen
für die ab Blatt 2 aufgeführten Typen zu benutzen /
the legally protected Marks as shown below for the types referred to on page 2 ff.



Geprüft und zertifiziert nach /
Tested and certified according to

DIN EN 50525-2-11 (VDE 0285-525-2-11):2012-01; EN 50525-2-11:2011



VDE Prüf- und Zertifizierungsinstitut GmbH
VDE Testing and Certification Institute
Zertifizierungsstelle / Certification


S. Berber

VDE Zertifikate sind nur gültig bei Veröffentlichung unter:
VDE certificates are valid only when published on:

Aktenzeichen: 1528100-5140-0005 / 176873
File ref.:

Ausweis-Nr. 40007541 Blatt 1
Certificate No. Page

Weitere Bedingungen siehe Rückseite und Folgeblätter /
further conditions see overleaf and following pages

Offenbach, 2003-08-26
(letzte Änderung/updated 2013-05-15)

<http://www.vde.com/zertifikat>
<http://www.vde.com/certificate>

Name und Sitz des Genehmigungs-Inhabers / *Name and registered seat of the Certificate holder*
Well Shin Technology Co., Ltd., No. 196 Xinhua 3rd Road, 114 NEIHU DISTRICT, TAIPEI CITY,
TAIWAN

Aktenzeichen / *File ref.*
1528100-5140-0005 / 176873 / CC5 / HEG

letzte Änderung / *updated* Datum / *Date*
2013-05-15 2003-08-26

Dieses Blatt gilt nur in Verbindung mit Blatt 1 des Zeichengenehmigungsausweises Nr. 40007541
This supplement is only valid in conjunction with page 1 of the Certificate No. 40007541.

Starkstromleitungen für allgemeine Anwendungen
- Flexible Leitungen
mit thermoplastischer PVC-Isolierung
Cables for general applications
- Flexible cables with
thermoplastic PVC insulation

Typ(en) / *Type(s)*:

H03VV-F 2...3 x 0,5...0,75 mm²
H03VVH2-F 2 x 0,5...0,75 mm²
H05VV-F 2...5 x 0,75...4 mm²
H05VVH2-F 2 x 0,75...1,0 mm²

+
+
+
+

Leitungsbauart
Type of cable

Standardleitungen
General purpose cables

Firmenzeichen
Trademark

WELL SHIN+ D

Dieser Zeichengenehmigungs-Ausweis bildet eine Grundlage für die EG-Konformitätserklärung und CE-Kennzeichnung durch den Hersteller oder dessen Bevollmächtigten und bescheinigt die Konformität mit den grundlegenden Schutzanforderungen der **EG-Niederspannungsrichtlinie 2006/95/EG** mit ihren Änderungen.

This Marks Approval is a basis for the EC Declaration of Conformity and the CE Marking by the manufacturer or his agent and proves the conformity with the essential safety requirements of the EC Low-Voltage Directive 2006/95/EC including amendments.

VDE Prüf- und Zertifizierungsinstitut GmbH
VDE Testing and Certification Institute
Abteilung CC5
Section CC5

VDE Prüf- und Zertifizierungsinstitut Zeichengenehmigung

Ausweis-Nr. / Beiblatt /
Certificate No. Supplement
40007541

Name und Sitz des Genehmigungs-Inhabers / *Name and registered seat of the Certificate holder*

Well Shin Technology Co., Ltd., No. 196 Xinhu 3rd Road, 114 NEIHU DISTRICT, TAIPEI CITY,
TAIWAN

Aktenzeichen / *File ref.*

1528100-5140-0005 / 176873 / CC5 / HEG

letzte Änderung / *updated* Datum / *Date*

2013-05-15

2003-08-26

Dieses Beiblatt ist Bestandteil des Zeichengenehmigungsausweises Nr. 40007541.

This supplement is part of the Certificate No. 40007541.

Starkstromleitungen für allgemeine Anwendungen

- Flexible Leitungen

mit thermoplastischer PVC-Isolierung

Cables for general applications

- Flexible cables with

thermoplastic PVC insulation

Fertigungsstätte(n)

Place(s) of manufacture

Referenz/*Reference*

30009474

Dong Guan Well Shin Electronic
Products Co., Ltd.

Chang Long Control District

Hwang Jiang Cheng

523766 DONGGUAN CITY

Guangdong

CHINA

VDE Prüf- und Zertifizierungsinstitut GmbH

VDE Testing and Certification Institute

Abteilung CC5

Section CC5

Name und Sitz des Genehmigungs-Inhabers / Name and registered seat of the Certificate holder

Well Shin Technology Co., Ltd., No. 196 Xinhua 3rd Road, 114 NEIHU DISTRICT, TAIPEI CITY,
TAIWAN

Aktenzeichen / File ref.

1528100-5140-0005 / 176873 / CC5 / HEG

letzte Änderung / updated Datum / Date

2013-05-15

2003-08-26

Dieses Blatt gilt nur in Verbindung mit Blatt 1 des Zeichengenehmigungsausweises Nr. 40007541

This supplement is only valid in conjunction with page 1 of the Certificate No. 40007541.

Genehmigung zum Benutzen des auf Seite 1 abgebildeten markenrechtlich geschützten Zeichens des VDE:

Grundlage für die Benutzung sind die Allgemeinen Geschäftsbedingungen (AGB) der VDE Prüf- und Zertifizierungsinstitut GmbH (www.vde.com \AGB-Institut). Das Recht zur Benutzung erstreckt sich nur auf die bezeichnete Firma mit den genannten Fertigungsstätten und die oben aufgeführten Produkte mit den zugeordneten Bezeichnungen. Die Fertigungsstätte muss so eingerichtet sein, dass eine gleichmäßige Herstellung der geprüften und zertifizierten Ausführung gewährleistet ist.

Die Genehmigung ist so lange gültig wie die VDE-Bestimmungen gelten, die der Zertifizierung zugrunde gelegen haben, sofern sie nicht auf Grund anderer Bedingungen aus der VDE Prüf- und Zertifizierungsordnung (PM102) zurückgezogen werden muss.

Der Gültigkeitszeitraum einer VDE-GS-Zeichengenehmigung kann auf Antrag verlängert werden. Bei gesetzlichen und / oder normativen Änderungen kann die VDE-GS-Zeichengenehmigung ihre Gültigkeit zu einem früheren als dem angegebenen Datum verlieren.

Produkte, die das Biozid Dimethylfumarat (DMF) enthalten, dürfen gemäß der Kommissionsentscheidung 2009/251/EG nicht mehr in den Verkehr gebracht oder auf dem Markt bereitgestellt werden.

Der VDE-Zeichengenehmigungsausweis wird ausschließlich auf der ersten Seite unterzeichnet.

Approval to use the legally protected Mark of the VDE as shown on the first page:

Basis for the use are the general terms and conditions of the VDE Testing and Certification Institute (www.vde.com \terms-institute). The right to use the mark is granted only to the mentioned company with the named places of manufacture and the listed products with the related type references. The place of manufacture shall be equipped in a way that a constant manufacturing of the certified construction is assured.

The approval is valid as long as the VDE specifications are in force, on which the certification is based on, unless it is withdrawn according to the VDE Testing and Certification Procedure (PM102E).

The validity period of a VDE-GS-Mark Approval may be prolonged on request. In case of changes in legal and / or normative requirements, the validity period of a VDE-GS-Mark Approval may be shortened.

Products containing the biocide dimethylfumarate (DMF) may not be marketed or made available on the EC market according to the Commission Decision 2009/251/EC.

The approval is solely signed on the first page.