

TwyLock C20-C19 20A Locking Power Cords

Part No.: RN07xy



Revision History:

Date	Revision	Who	Comment
2021-09-17	1.0	FRIE	Initial edition

Customer:	Approved by:
SIGNAL+POWER	<i>Ivo Landre</i>

1

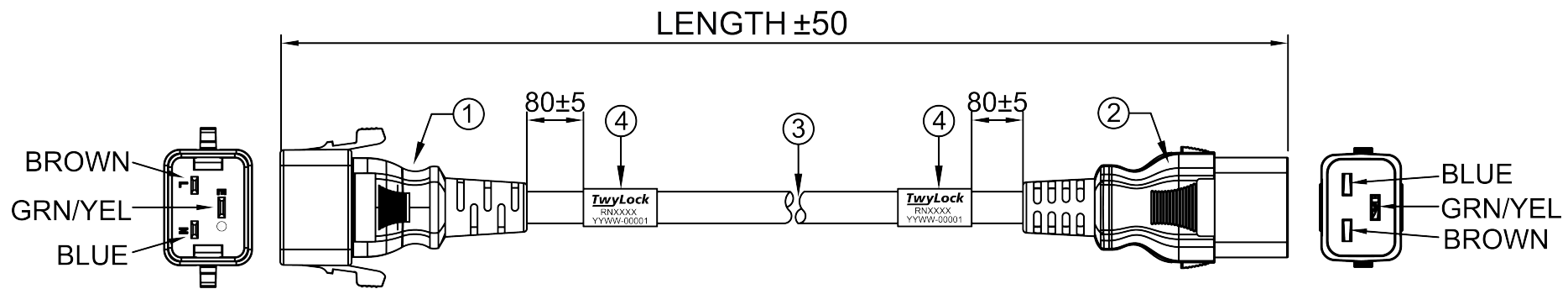
2

3

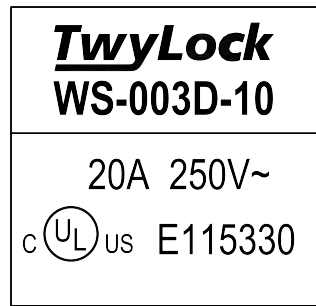
4

5

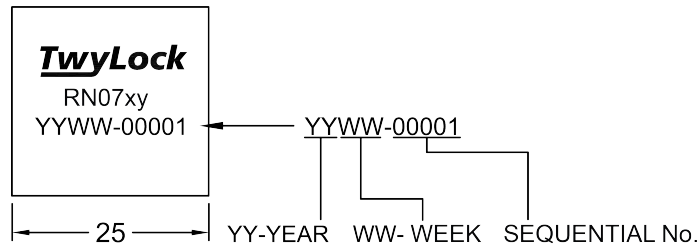
UNITS mm unless otherwise stated



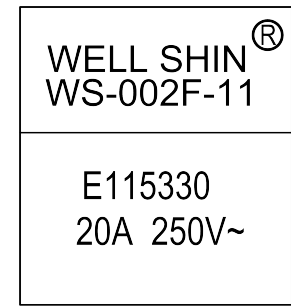
Marking



Labels



Marking



UL/CUL according to file E115330

Note: 10 PCS in one bundle, cables rolled (not kinked)

Item	Description	Approval
1	IEC 60320 C20, WS-003D-10, 20A / 250V	UL,CUL
2	IEC 60320 C19, WS-002F-11, 20A / 250V	UL,CUL
3	SJTW 12AWG 3C 105°C	UL,CSA
4	2 Labels with P/N, Seq. No. and Production date	-

TwyLock®		Modification					Scale
TwyLock® is a registered trademark of Riedo Networks Ltd. - Switzerland		1	Initial	19.08.2021	RWUS	FRIE	-
Title:		Rev	Description	Date	Drawn	Approved	Size: A Page 1 of 2
TwyLock Power Cord C20-C19 20A		Part Number / Part Number Range:			RN07xy		Rev: 1

1

2

3

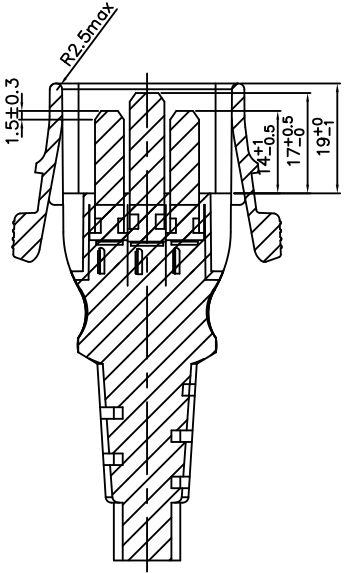
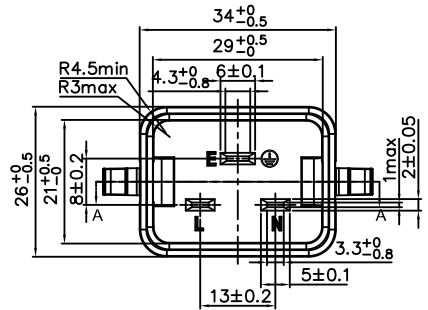
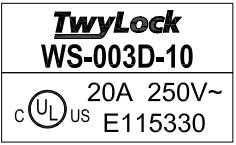
4

5

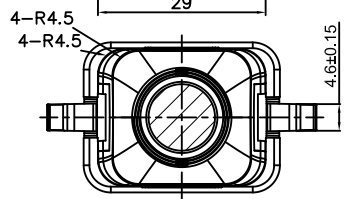
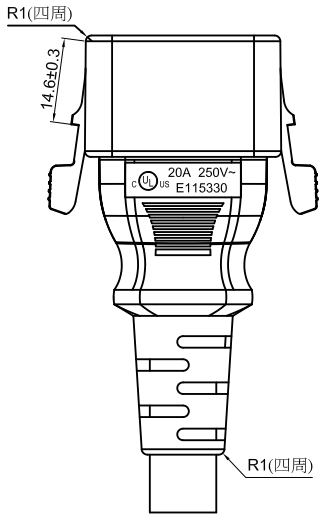
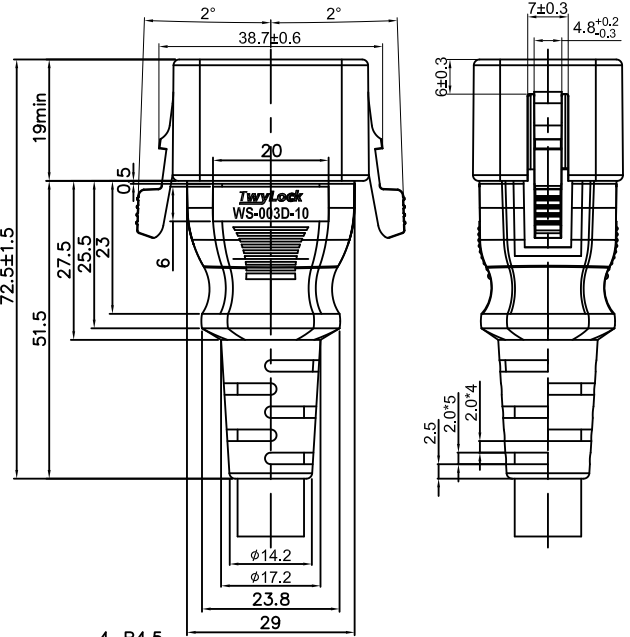
We reserve all rights in this document and its subject matter. The recipient hereby acknowledges these rights and assumes the use of this document only for the purpose it was delivered. © Riedo Networks Ltd

CLIENT TITLE		CLIENT SER NO.	RN07xy	APPROVAL BY :	
--------------	--	----------------	--------	---------------	--

印字内容(MARKING):



SECTION A-A



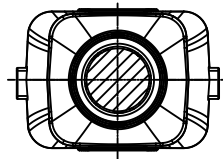
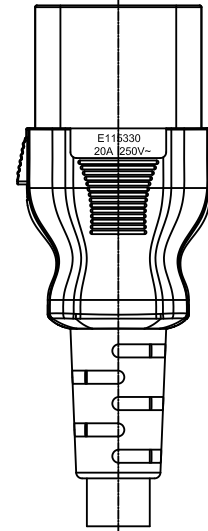
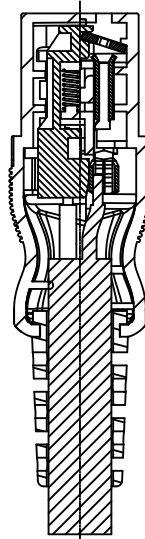
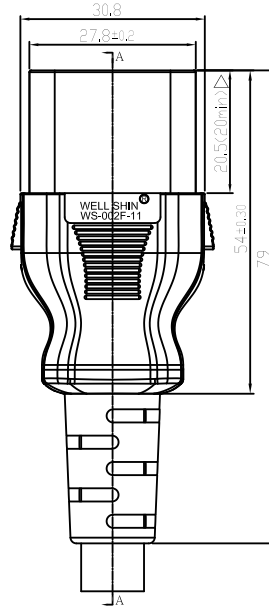
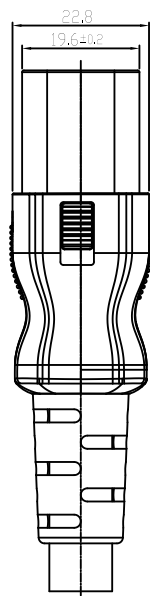
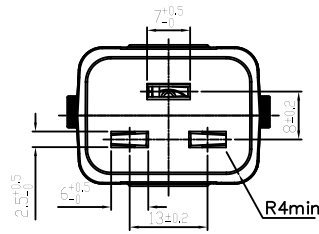
未註明公差指定 (單位:mm)	
0-5	±0.2
5-15	±0.3
15-30	±0.5
30-100	±0.8
100-300	±1.0
300-1000	±1.2

WELL SHIN TECHNOLOGY CO., LTD		CUSTOMER		Riedo專用		CHECK BY :	
DRAWING NO	WS-003D-10	TITLE	WS-003D-10	ORIGINAL DATE	2021.09.14		
REMARK	台灣	大陸	UNIT	MM	REV	0	MANAGER
						0	DRAWN BY

CLIENT TITLE		CLIENT SER NO.	RN07xy	APPROVAL BY :	
--------------	--	----------------	--------	---------------	--

印字內容(MARKING):

WELL SHIN [®] WS-002F-11
E115330 20A 250V~



未註明公差指定 (單位:mm)	
0~5	±0.2
5~15	±0.3
15~30	±0.5
30~100	±0.8
100~300	±1.0
300~1000	±1.2



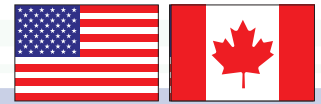
WELL SHIN TECHNOLOGY CO., LTD

CUSTOMER

Riedo專用

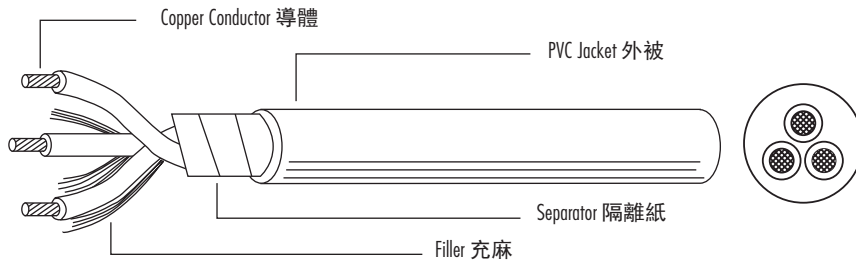
CHECK BY :

DRAWING NO	WS-002F-11	TITLE	WS-002F-11	ORIGINAL DATE	2021.09.14		
REMARK	台灣	大陸		UNIT	MM	REV	.
						MANAGER	DRAWN BY



PVC Flexible Cord

- APPROVAL:  
- CONSTRUCTION :



- GENERAL DATA :

TYPE 型號	CONDUCTOR (導體)		INSULATION THICKNESS 絕緣厚度 (mm)	JACKET THICKNESS 外被厚度 (mm)	OVERALL DIAMETER 完成外徑 ±0.15(mm)
	SIZE 規格	NO./mm 線數 / 線徑			
SJT SJTW SJTO SJTOO SJTOW SJTOOW	18AWG/2C	41/0.160	0.76	0.76	7.40
	18AWG/3G	41/0.160	0.76	0.76	7.90
	18AWG/4G	41/0.160	0.76	0.76	8.50
	18AWG/5G	41/0.160	0.76	0.76	9.3
	16AWG/2C	26/0.254	0.76	0.76	7.90
	16AWG/3G	26/0.254	0.76	0.76	8.50
	16AWG/4G	26/0.254	0.76	0.76	9.30
	16AWG/5G	26/0.254	0.76	0.76	10.80
	14AWG/2C	41/0.254	0.76	0.76	8.8
	14AWG/3G	41/0.254	0.76	0.76	9.3
	14AWG/4G	41/0.254	0.76	0.76	10.50
	14AWG/5G	41/0.254	0.76	0.76	11.50
	12AWG/2C	65/0.254	0.76	1.14	10.5
	12AWG/3G	65/0.254	0.76	1.14	10.8
	12AWG/4G	65/0.254	0.76	1.14	12.5
	12AWG/5G	65/0.254	0.76	1.14	15.5
10AWG/2C	41/0.405	1.14	1.52	14.0	
10AWG/3G	41/0.405	1.14	1.52	14.7	
10AWG/4G	41/0.405	1.14	1.52	15.5	

Note: Number of circuit conductors 2-5, AWG size of circuit conductors 18-10.
Due to O.D. tolerance, The above information is only for reference.

- DESCRIPTION :

Standard: UL 62 Table 6.13 Non-oil-resistant hard-service cords.
UL 62 Table 6.12 Oil-resistant hard-service cords.

標準：UL62 表 6.13 非耐油重載供電用軟線。
UL62 表 6.12 耐油重載供電用軟線。

Maximum voltage: 300V. Rated temperature: 60°C .

最大電壓：300V, 額定溫度：60°C。

Conductors material: Soft-annealed copper(7.1 and 7.2).

導體材質：退火軟銅 (7.1 and 7.2)。

Core wire and jacket material: PVC(60°C ,75°C ,90°C ,105°C) .

芯線及外被材質：PVC(60°C ,75°C ,90°C ,105°C)。

The above cords can all be filled with yarn, paper and wrapped braids.

以上線材均可制作成充麻、包紙、纏繞編織。

- APPLICATION :

Power supply cord for electrical appliances

電器產品用電線。

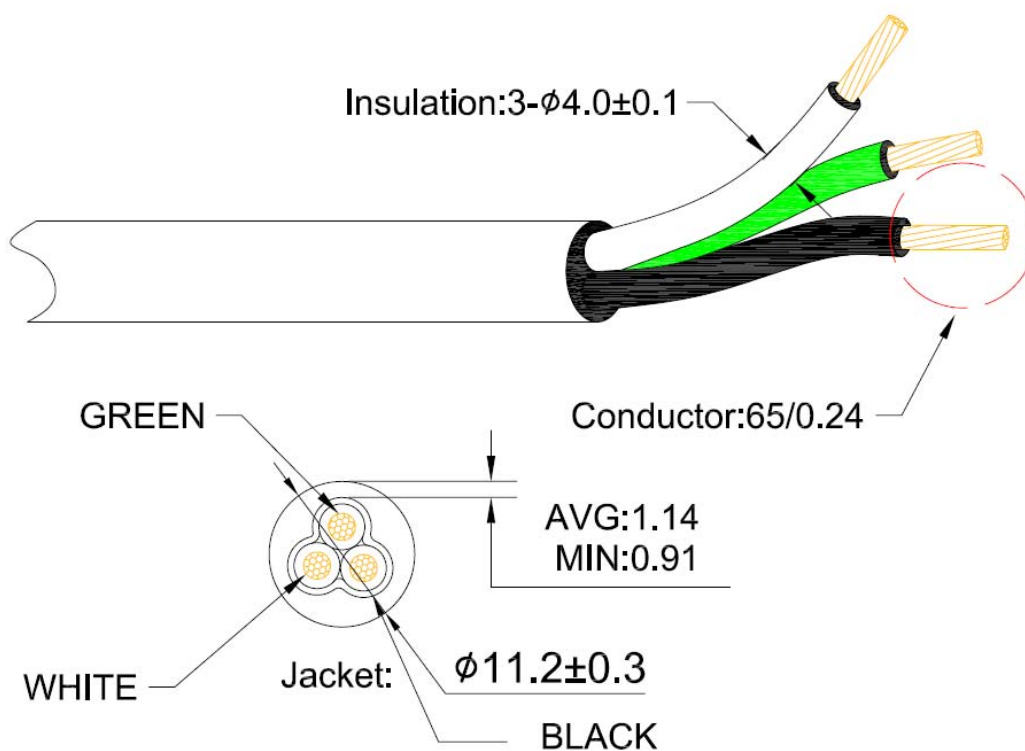


FLEXIBLE CORD TECHNICAL DATA

STYLE	SJTW 12AWG 3C 105°C	
Component	Cord Type	SJTW
	Cord No.	3C
Conductor	Size (AWG)	12
	Construction (NO./mm)	65/0.254
Insulation	Material	PVC
	Average Thickness (mm)	0.76
	Minimum Thickness (mm)	0.69
	Over Diameter (mm)	4.0±0.1
	Color	BLACK、WHITE、GREEN
Jacket	Material	PVC
	Average Thickness (mm)	1.14
	Minimum Thickness (mm)	0.91
	Web (mm)	/
	Over Diameter (mm)	11.2±0.3
	Color	BLACK OR COLORED

Marking : (UL) SJTW E90165 105°C VW-1 300V 3X3.31mm²(12AWG) WELL SHIN CSA TYPE SJTW 105°C 3X3.31mm²(12AWG) FT1 300V LL57855

Construction Drawing



IEC CONFIGURATION

Cat. No.	Config.	Cord AWG	Electrical A/V	Sec.	Fig.	C-UL
WS-003,-003A	C14	18,17,16,15,14 /3	10,10,13,15,15/ 125 or 250	3	1	Yes
WS-003	C14	18/2	2.5,7,10/125 or 250	3	1	Yes
WS-003C-1, -2, -R, -L	C14	18,17,16,15,14 /3	10,10,13,15,15/125 or 250	3	4	Yes
*WS-079	Sheet C	18,16/2	7/125 or 2.5/250	1	12	Yes
*WS-079-C	Sheet C	18,16/2	7/125 or 2.5/250	1	-	Yes
*WS-079-1	Sheet C	18/2	7/125 or 2.5/250	1	12A	Yes
*WS-003D	Sheet I	17,16,15,14,12 /3	10,13,15,18,20/ 125 or 250	3	2	Yes
*WS-003D-L, -R	Sheet I	16,15,14,12/3	13,15,18,20/125 or 250	3	5,6	Yes
*WS-003E	Sheet G	18,16,14/2	10,13,15/125 or 250	3	3	Yes
*WS-134	Sheet A	18/3	7/125 or 2.5/250	3	7	Yes
WS-003-4	C14	18,17,16/3	10,10,13/125 or 250	3	8	Yes
WS-003D-4	C20	16,14,12/3	13,16,20/125 or 250	3	9	Yes
WS-134-1	C6	18/3	7,10/125 or 250	3	10	Yes
WS-079-3	C8	18,18,16/2	2.5,10,13/125 or 250	3	11	Yes
WS-003A-1	C14	18,17/3	10,10/250	3	12,13	Yes
WS-003-10	C14	18,17,16,14/3	10,10,13,15/125 or 250	3	14	Yes
WS-003-2	Sheet E	18/3	10/125 or 250	9	1	Yes
WS-003D-10	Sheet I	16,15,14,12/3	13,15,15,20/125 or 250	3	15	Yes

NON-STANDARD CONFIGURATION

Cat. No.	Cord AWG	Electrical A/V	Sec.	Fig.	C-UL
PPC-25P-A, -B, -C, -D, -E	12/3	25/250	1	11	Yes
PPC-25P-5A, -B, -C, -D	10/5	30/250	1	13	Yes
PPC-25P-5AL, -BL, -CL, -DL	10/5	30/250	1	13	Yes
WS-001B14	16,14/2	13,15/125	1	18	Yes
WS-196	10/3	30/250	1	20	Yes
WS-196-1	10/3	30/125	1	20	Yes
WS-197	14,12/3	16,16/125	1	21	Yes

IEC CONFIGURATION

Cat. No.	Config.	Cord AWG	A/V	Sec.	Fig.	C-UL
WS-002E	C17	18,16,14/2	10,13,15/125,250	2	-	Yes
WS-002E-1	C17	18,16,14/2	10,13,15/125,250	2	-	Yes
WS-002E-R	C17	18,16,14/2	10,13,15/125,250	2	-	Yes
WS-002E-2	C17	18,16,14/2	10,13,15/125,250	2	-	Yes
WS-002E-L	C17	18,16,14/2	10,13,15/125,250	2	-	Yes
WS-002F	C19	18,17,16,15,14,12/3	10,10,13,15,15,20/125 or 250	2	6	Yes
WS-002F-1	C19	18,17,16,15,14,12/3	10,10,13,15,15,20/125 or 250	2	6A	Yes
WS-002F	C19	18,17,16,15,14,12/3	10,10,13,15,15,20/125 or 250	2	61	Yes
(A.C.1)						
WS-002-18	C13	18,16,14/3	10,13,15/125,250	2	28	Yes
WS-002B1	C13	18,18,16,14/3	7,10,13,15/125,250	2	29	Yes
WS-002F-2	C19	18,17,16,15,14,12/3	10,10,13,15,15,20/125 or 250	2	6A	Yes
WS-002H	C23	18,17,16,15,14,12/2	10,10,13,15,15,16/125 or 250	2	6	Yes
WS-027	C7	18,18,18,16/2	2.5,5,7,7/125 or 2.5/250	2	4	Yes
*WS-027	C7	18,16/2	7,7/125 or 2.5/250	2	41	Yes
(A.C.1)						
WS-027A	C7	18,18,16/2	7,10,13/125,250	2	-	Yes
*WS-027A-2	C7	18,16/2	7,7/125 or 2.5/250	2	4A	Yes
*WS-027B	C7	18,16/2	7,7/125 or 2.5/250	2	4C	Yes
*WS-027C	C7	18,16/2	7,7/125 or 2.5/250	2	4D	Yes
*WS-027D	C7	18,16/2	7,7/125 or 2.5/250	2	4E	Yes
*WS-027-H	C7	18,16/2	7,7/125 or 2.5/250	2	4B	Yes
WS-029	C1	20,18/2	2,2/250	2	9	Yes
*WS-083	C5	18,17/3;18,17/2	7/125 or 2.5/250	2	5	Yes
WS-083-1	C5	18,17/3	7/125 or 2.5/250	2	5	Yes
WS-083-2	C5	18,17/3	7/125 or 2.5/250	2	5	Yes
WS-083-4	C5	18/3	10/125,250	2	7	Yes
WS-083-5	C5	18/2	10/125,250	2	7	Yes
*WS-083-6	C5	18, 17/3	7/125 or 2.5/250	2	5A	Yes
WS-002-4	C13	18/3	10/125,250	2	8	Yes
WS-002-21	C13	18/3	10/125	2	36	Yes
WS-002-20A	C13	16,14/3	13,15/125,250	2	37	Yes
WS-027-5	C7	18/2	10/125,250	2	48	Yes
WS-083-A	C5	18/3	10/125,250	2	49	Yes
WS-002A-3	C13	18/3	10/125,250	2	50	Yes
*WS-027-7	C7	18/2	7/125 or 2.5/250	2	58	Yes
WS-027D-3	C7	18/2	2.5 or 10/125	2	59	Yes
			10/250	2	59	Yes
WS-002-23	C13	18,18,16,14/3	7,10,13,15/125 or 250	6	1	Yes
WS-027-8	C7	18/2	7,10/125 or 250	6	2	Yes
WS-002A-4A	C13	18,18,17,16,15,14/3	7,10,10,13,10,15/125 or 250	6	5	Yes
WS-002F-11	C19	16,15,14,14,12/3	13,15,15,16,20/125 or 250	6	6	Yes
WS-083-C	C5	18/3	10/125	6	7	Yes
WS-002A-4	C13	18,18,17/3	7,10,10/125 or 250	6	8	Yes
WS-002A-4A	C13	18/3	7,10/125 or 250	6	-	Yes
(A.C.1)						
WS-002E-3	C17	18/2	7,10/125 or 250	6	9	Yes
WS-002A-R4	C13	18,18,17,16/3	7,10,10,13/125 or 250	6	10	Yes
WS-027D-4	C7	18/2	7/125	6	11	Yes
WS-027-11	C7	18/2	2.5/125	6	12	Yes
WS-002F-0	C19	16,14,12/3	13,15 or 16,20/ 125 or 250	6	14	Yes
WS-002G-4	C21	16,14,14,12/3	13,15,16,20/125 or 250	6	15	Yes
*WS-027D-5	C7	18/2	7/125 or 2.5/250	6	16	Yes
WS-002A- L5, WS- 002A-R5	C13	18,18,17,16,15,14/3	7,10,10,13,15,15/125 or 250	6	17	Yes
WS-002B-6, WS-002B-7	C13	18,18,17,16,15,14/3	7,10,10,13,15,15/125 or 250	6	18	Yes

INDEX

	<u>Type</u>	<u>Section</u>
*	SPT-1, SPT-2, SPT-3, NISPT-1, NISPT-2	1
	SVT, SJT, ST, SJTO, STO, SJTW, STW	2
	Clock Cords	5