

## TwyLock C14-C15 15A Locking Power Cords

Part No.: RN02xy



### Revision History:

Date	Revision	Who	Comment
2021-09-17	1.0	FRIE	Initial edition

<b>Customer:</b>	<b>Approved by:</b>
SIGNAL+POWER	<i>Ivo Landre</i>

We reserve all rights in this document and its subject matter. The recipient hereby acknowledges these rights and assures the use of this document only for the purpose it was delivered. © Riedo Networks Ltd

1

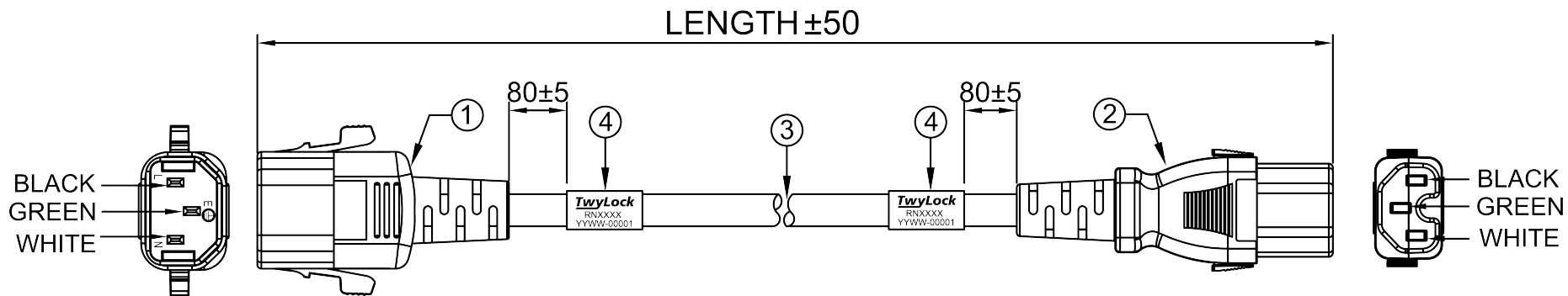
2

3

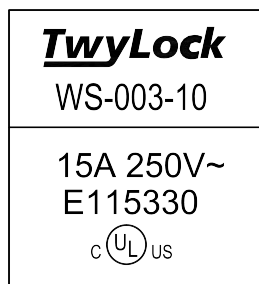
4

5

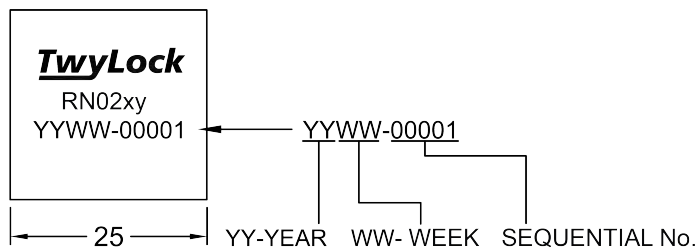
UNITS mm unless otherwise stated



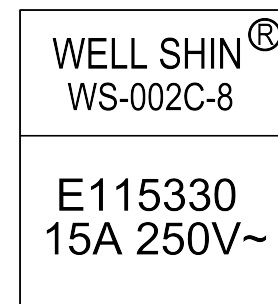
Marking



Labels



Marking



UL/CUL according to file E115330

Note: 10 PCS in one bundle, cables rolled (not kinked)

Item	Description	Approval
1	IEC 60320 C14, WS-003-10, 15A / 250V	UL,CUL
2	IEC 60320 C15, WS-002C-8, 15A / 250V	UL,CUL
3	SJT 14AWG 3C 105°C	UL,CSA
4	2 Labels with P/N, Seq. No. and Production date	-

<b>TwyLock®</b>		Modification					Scale
TwyLock® is a registered trademark of Riedo Networks Ltd. - Switzerland		1	Initial	19.08.2021	RWUS	FRIE	-
Title:		Rev	Description	Date	Drawn	Approved	Size: A Page 1 of 2
TwyLock Power Cord C14-C15 15A		Part Number / Part Number Range:			RN02xy		Rev: 1

1

2

3

4

5




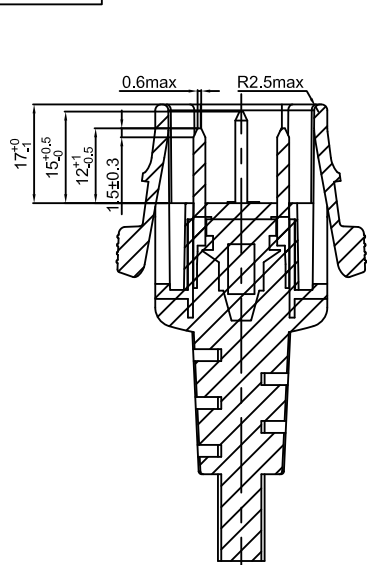
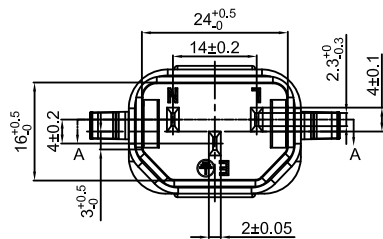
CLIENT TITLE		CLIENT SER NO.	RN01xy/RN02xy	APPROVAL BY :	
--------------	--	----------------	---------------	---------------	--

印字内容(MARKING):

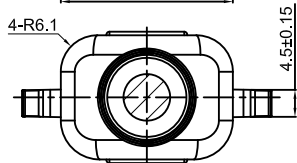
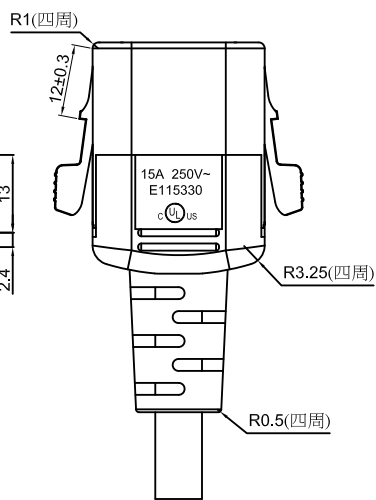
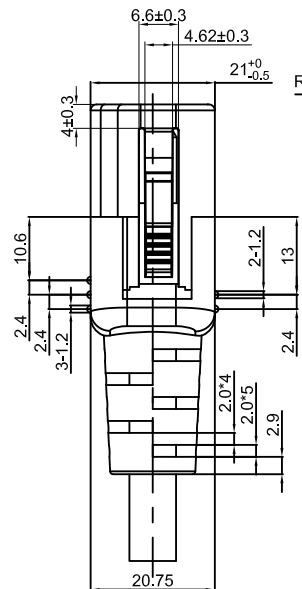
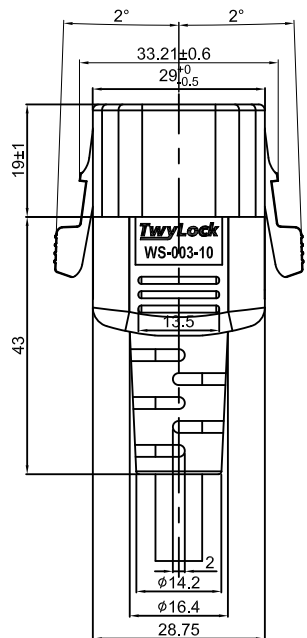
**TwyLock**  
WS-003-10

15A 250V~  
E115330

c  US



SECTION A-A



未註明公差指定 (單位:mm)	
0~5	±0.2
5~15	±0.3
15~30	±0.5
30~100	±0.8
100~300	±1.0
300~1000	±1.2



WELL SHIN TECHNOLOGY CO., LTD

CUSTOMER

Riedo專用

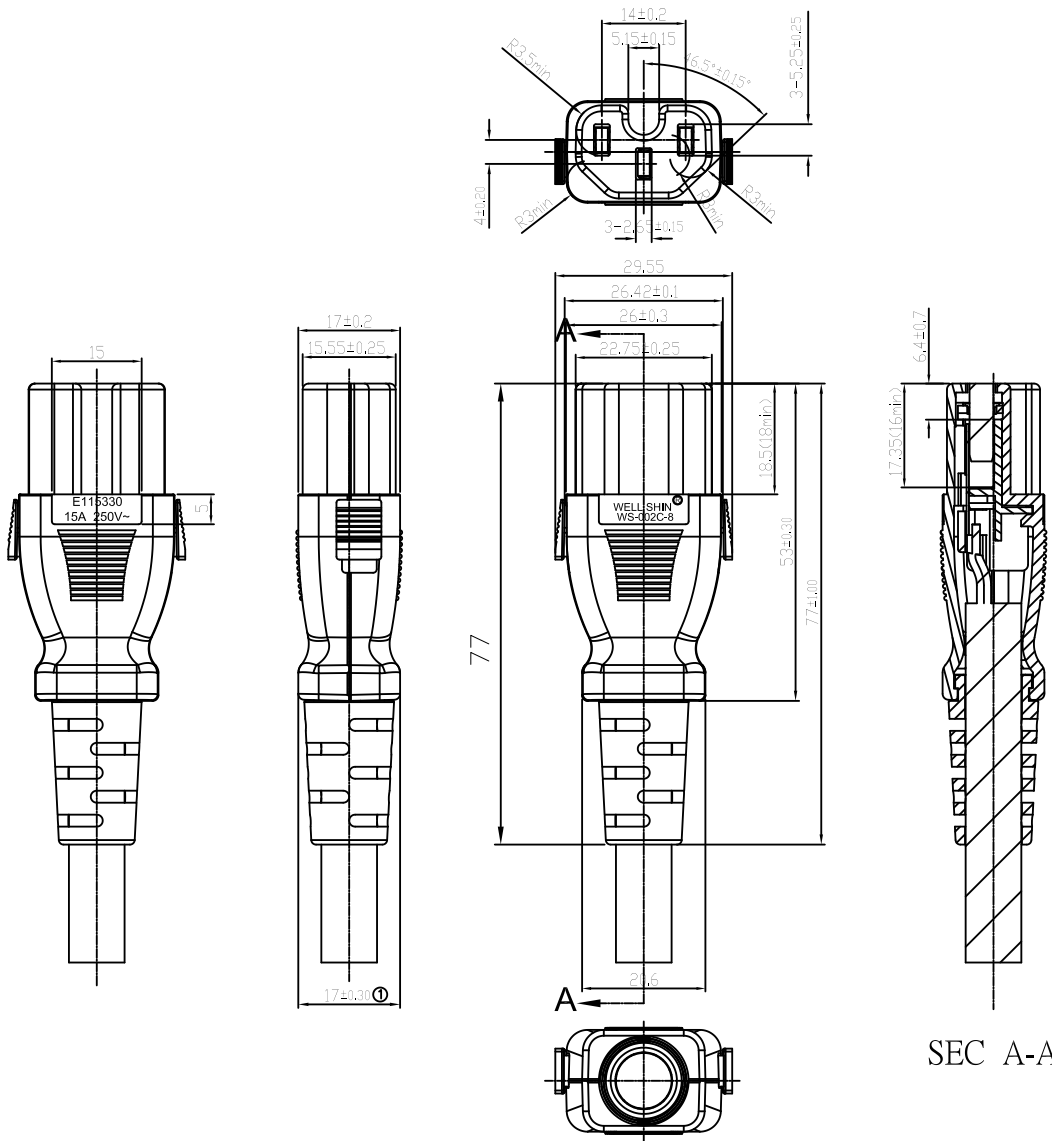
CHECK BY :

DRAWING NO	WS-003-10	TITLE	WS-003-10	ORIGINAL DATE	2021.09.14		
REMARK	台灣	大陸		UNIT	MM	REV	.
						MANAGER	DRAWN BY

CLIENT TITLE		CLIENT SER NO.	RN02xy	APPROVAL BY :	
--------------	--	----------------	--------	---------------	--

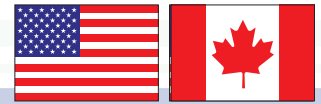
印字内容(MARKING):

WELL SHIN® WS-002C-8
E115330
15A 250V~



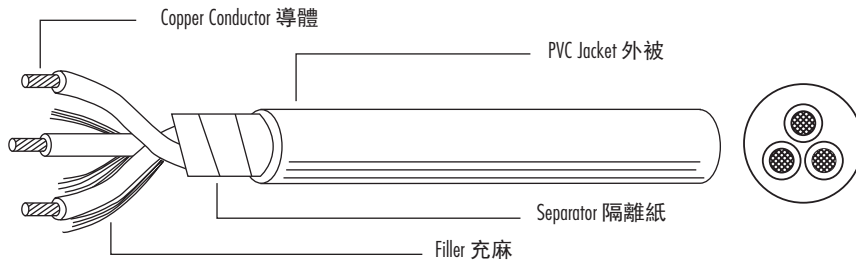
未註明公差指定 (單位:mm)	
0~5	±0.2
5~15	±0.3
15~30	±0.5
30~100	±0.8
100~300	±1.0
300~1000	±1.2

		WELL SHIN TECHNOLOGY CO., LTD		CUSTOMER	Riedo專用		CHECK BY :	
DRAWING NO	WS-002C-8	TITLE	WS-002C-8	ORIGINAL DATE	2021.09.14			
REMARK	台灣	大陸		UNIT	MM	REV	.	MANAGER
								DRAWN BY



## PVC Flexible Cord

- APPROVAL:  
- CONSTRUCTION :



- GENERAL DATA :

TYPE 型號	CONDUCTOR ( 導體 )		INSULATION THICKNESS 絕緣厚度 (mm)	JACKET THICKNESS 外被厚度 (mm)	OVERALL DIAMETER 完成外徑 ±0.15(mm)
	SIZE 規格	NO./mm 線數 / 線徑			
SJT SJTW SJTO SJTOO SJTOW SJTOOW	18AWG/2C	41/0.160	0.76	0.76	7.40
	18AWG/3G	41/0.160	0.76	0.76	7.90
	18AWG/4G	41/0.160	0.76	0.76	8.50
	18AWG/5G	41/0.160	0.76	0.76	9.3
	16AWG/2C	26/0.254	0.76	0.76	7.90
	16AWG/3G	26/0.254	0.76	0.76	8.50
	16AWG/4G	26/0.254	0.76	0.76	9.30
	16AWG/5G	26/0.254	0.76	0.76	10.80
	14AWG/2C	41/0.254	0.76	0.76	8.8
	14AWG/3G	41/0.254	0.76	0.76	9.3
	14AWG/4G	41/0.254	0.76	0.76	10.50
	14AWG/5G	41/0.254	0.76	0.76	11.50
	12AWG/2C	65/0.254	0.76	1.14	10.5
	12AWG/3G	65/0.254	0.76	1.14	10.8
	12AWG/4G	65/0.254	0.76	1.14	12.5
	12AWG/5G	65/0.254	0.76	1.14	15.5
10AWG/2C	41/0.405	1.14	1.52	14.0	
10AWG/3G	41/0.405	1.14	1.52	14.7	
10AWG/4G	41/0.405	1.14	1.52	15.5	

Note: Number of circuit conductors 2-5, AWG size of circuit conductors 18-10.  
Due to O.D. tolerance, The above information is only for reference.

- DESCRIPTION :

Standard: UL 62 Table 6.13 Non-oil-resistant hard-service cords.  
UL 62 Table 6.12 Oil-resistant hard-service cords.

標準：UL62 表 6.13 非耐油重載供電用軟線。  
UL62 表 6.12 耐油重載供電用軟線。

Maximum voltage: 300V. Rated temperature: 60°C .

最大電壓：300V, 額定溫度：60°C。

Conductors material: Soft-annealed copper(7.1 and 7.2).

導體材質：退火軟銅 (7.1 and 7.2)。

Core wire and jacket material: PVC(60°C ,75°C ,90°C ,105°C ) .

芯線及外被材質：PVC(60°C ,75°C ,90°C ,105°C )。

The above cords can all be filled with yarn, paper and wrapped braids.

以上線材均可制作成充麻、包紙、纏繞編織。

- APPLICATION :

Power supply cord for electrical appliances

電器產品用電線。

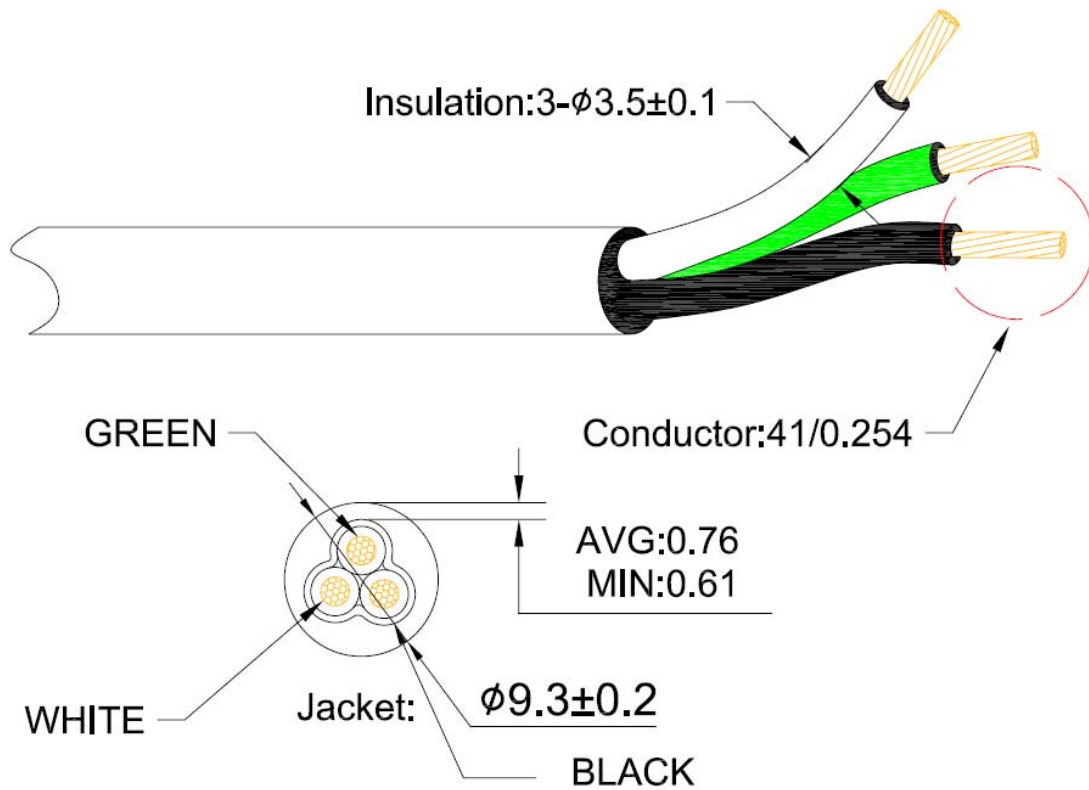


# FLEXIBLE CORD TECHNICAL DATA

STYLE	SJT 14AWG 3C 105°C	
Component	Cord Type	SJT
	Cord No.	3C
Conductor	Size (AWG)	14
	Construction (NO./mm)	41/0.254
Insulation	Material	PVC
	Average Thickness (mm)	0.76
	Minimum Thickness (mm)	0.69
	Over Diameter (mm)	3.5±0.1
	Color	BLACK、WHITE、GREEN
Jacket	Material	PVC
	Average Thickness (mm)	0.76
	Minimum Thickness (mm)	0.61
	Web (mm)	/
	Over Diameter (mm)	9.3±0.2
	Color	BLACK OR COLORED

Marking : (UL) SJT E90165 105°C VW-1 300V 3X2.08mm<sup>2</sup>(14AWG) WELL SHIN CSA TYPE SJT 105°C 3X2.08mm<sup>2</sup>(14AWG) FT2 300V LL57855

## Construction Drawing



## IEC CONFIGURATION

Cat. No.	Config.	Cord AWG	Electrical A/V	Sec.	Fig.	C-UL
WS-003,-003A	C14	18,17,16,15,14 /3	10,10,13,15,15/ 125 or 250	3	1	Yes
WS-003	C14	18/2	2.5,7,10/125 or 250	3	1	Yes
WS-003C-1, -2, -R, -L	C14	18,17,16,15,14 /3	10,10,13,15,15/125 or 250	3	4	Yes
*WS-079	Sheet C	18,16/2	7/125 or 2.5/250	1	12	Yes
*WS-079-C	Sheet C	18,16/2	7/125 or 2.5/250	1	-	Yes
*WS-079-1	Sheet C	18/2	7/125 or 2.5/250	1	12A	Yes
*WS-003D	Sheet I	17,16,15,14,12 /3	10,13,15,18,20/ 125 or 250	3	2	Yes
*WS-003D-L, -R	Sheet I	16,15,14,12/3	13,15,18,20/125 or 250	3	5,6	Yes
*WS-003E	Sheet G	18,16,14/2	10,13,15/125 or 250	3	3	Yes
*WS-134	Sheet A	18/3	7/125 or 2.5/250	3	7	Yes
WS-003-4	C14	18,17,16/3	10,10,13/125 or 250	3	8	Yes
WS-003D-4	C20	16,14,12/3	13,16,20/125 or 250	3	9	Yes
WS-134-1	C6	18/3	7,10/125 or 250	3	10	Yes
WS-079-3	C8	18,18,16/2	2.5,10,13/125 or 250	3	11	Yes
WS-003A-1	C14	18,17/3	10,10/250	3	12,13	Yes
WS-003-10	C14	18,17,16,14/3	10,10,13,15/125 or 250	3	14	Yes
WS-003-2	Sheet E	18/3	10/125 or 250	9	1	Yes
<b>WS-003D-10</b>	<b>Sheet I</b>	<b>16,15,14,12/3</b>	<b>13,15,15,20/125 or 250</b>	<b>3</b>	<b>15</b>	<b>Yes</b>

## NON-STANDARD CONFIGURATION

Cat. No.	Cord AWG	Electrical A/V	Sec.	Fig.	C-UL
PPC-25P-A, -B, -C, -D, -E	12/3	25/250	1	11	Yes
PPC-25P-5A, -B, -C, -D	10/5	30/250	1	13	Yes
PPC-25P-5AL, -BL, -CL, -DL	10/5	30/250	1	13	Yes
WS-001B14	16,14/2	13,15/125	1	18	Yes
WS-196	10/3	30/250	1	20	Yes
WS-196-1	10/3	30/125	1	20	Yes
WS-197	14,12/3	16,16/125	1	21	Yes



## IEC CONFIGURATION

Cat. No.	Config.	Cord AWG	A/V	Sec.	Fig.	C-UL
WS-002C-2 <sup>a</sup> , WS-002C-1 <sup>a</sup>	C15	18,18,17,16,15,14/3	7,10,10,13,15,15/125 or 250	6	19	Yes
WS-002C-5A, WS-002C-9A	C15	18,18,17,16,15,14/3	7,10,10,13,15,15/125 or 250	6	20	Yes
WS-002F-2D, WS-002F-1C	C19	18,17,16,15,14,14,12/3	10,10,13,15,15,16,20/125 or 250	6	21	Yes
WS-002F-3C, WS-002F-4C	C19	18,17,16,15,14,14,12/3	10,10,13,15,15,16,20/125 or 250	6	22	Yes
WS-002C-8	C15	18,18,17,16,14/3	7,10,10,13,15/125 or 250	6	23	Yes
WS-002C-8	C15	16, 16 (For Type HPN)	13, 15/125 or 250	6	23	Yes
WS-002 <sup>a</sup> -7	C13	18,16,14/3	10,13,15/125	6	24	Yes
UX	C7	18/2	2.5,5,7/125 or 2.5/250	6	25	Yes
WS-002 <sup>a</sup> -9	C13	18/3	10/125 or 250	6	26	Yes
WSC7H	C7	18/2	10/125	6	27	Yes
WS-002C-11	C15	18,16,14/3	10,13,15/125 or 250	6	29	Yes
WS-027-14	C7	18/2	2.5/125	6	30	Yes
WS-083-F	C5	18,18/3	7,10/125	6	31	Yes
WS-002A-11	C13	17/3	10/125	6	32	Yes

## IEC Configuration

Cat. No.	Config.	Cord AWG	Electrical A/V	Sec.	Fig.	C-UL
US2	C7	18/2	2.5,5,7/125 or 2.5/250	8	1	Yes
WS-027-18	C7	18/2	7/125 or 2.5/250	8	2	Yes
WS-002-30	C13	18,16,16/3	10,10,13/125 or 250	8	3	Yes
WS-083-13	C5	18/3	7/125 or 2.5/250	8	4	Yes
WS-027-17	C7	18/2	7/125 or 2.5/250	8	5	Yes
WS-002-15	C13	18/3	10/125 or 250	8	6	Yes

## NON-STANDARD CONFIGURATION

Cat. No.	Config.	Cord AWG	Electrical A/V	Sec.	Fig.	C-UL
WS-030	None	18/2	5/125	2	2	Yes
WS-OR-069	None	18,16/3	10,13/125,250	2	30	Yes
WS-272	None	18/2	6/125	2	33	Yes
WS-029-1	None	18/2	10/125	2	34	Yes
WS-029-2	None	18/2	10/125	2	35	Yes

## INDEX

	<u>Type</u>	<u>Section</u>
*	SPT-1, SPT-2, SPT-3, NISPT-1, NISPT-2	1
	SVT, SJT, ST, SJTO, STO, SJTW, STW	2
	Clock Cords	5