

## TwyLock C14-C13 15A Locking Power Cords

Part No.: RN01xy



### Revision History:

Date	Revision	Who	Comment
2021-09-17	1.0	FRIE	Initial edition

Customer:	Approved by:
SIGNAL+POWER	<i>Guo Landre</i>

We reserve all rights in this document and its subject matter. The recipient hereby acknowledges these rights and assures the use of this document only for the purpose it was delivered. © Riedo Networks Ltd

1

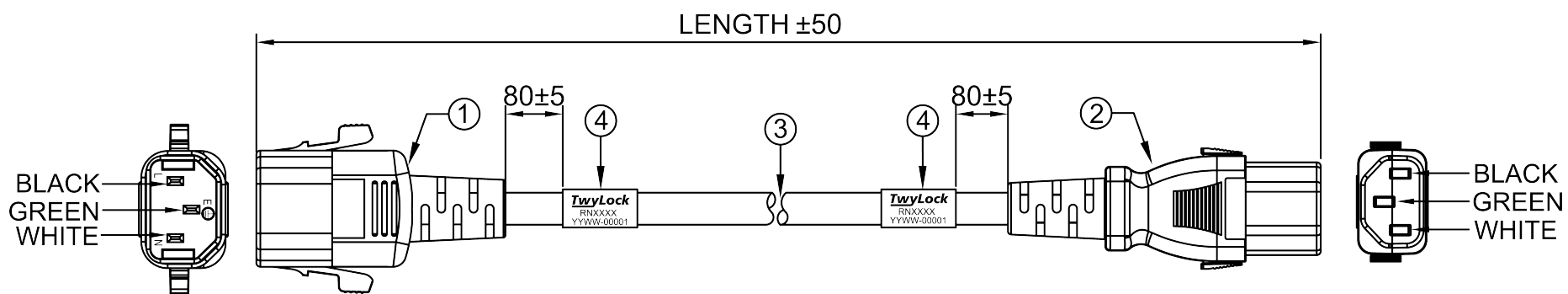
2

3

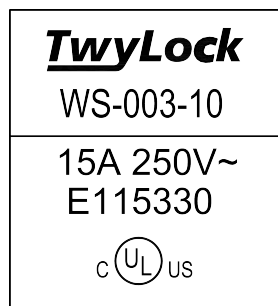
4

5

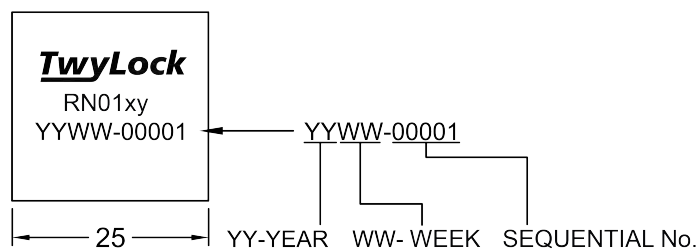
UNITS mm unless otherwise stated



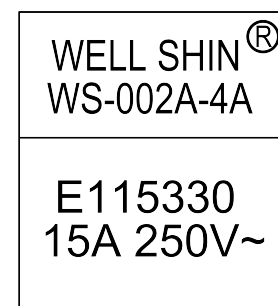
Marking



Labels



Marking



UL/CUL according to file E115330

Note: 10 PCS in one bundle, cables rolled (not kinked)

Item	Description	Approval
1	IEC 60320 C14, WS-003-10, 15A / 250V	UL,CUL
2	IEC 60320 C13, WS-002A-4A, 15A / 250V	UL,CUL
3	SJT 14AWG 3C 105°C	UL,CSA
4	2 Labels with P/N, Seq. No. and Production date	-

<b>TwyLock®</b>		Modification		Scale	
TwyLock® is a registered trademark of Riedo Networks Ltd. - Switzerland		1	Initial	19.08.2021	RWUS FRIE
Title:		Rev	Description	Date	Drawn Approved
TwyLock Power Cord C14-C13 15A		Part Number / Part Number Range:			Rev:
		RN01xy			1

1

2

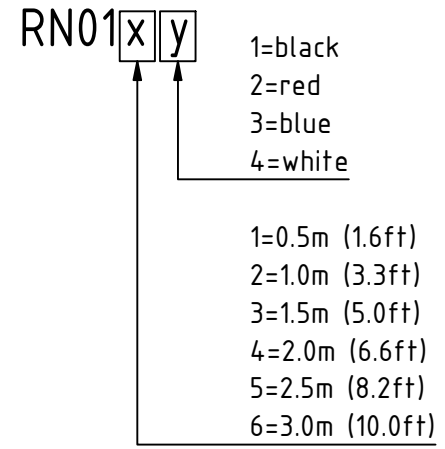
3

4

5

We reserve all rights in this document and its subject matter. The recipient hereby acknowledges these rights and assumes the use of this document only for the purpose it was delivered. © Riedo Networks Ltd

1	2		3		4		5	
Part no.	length (x)	Color (y)	qty/box	kg/box	box dimension		UNITS mm unless otherwise stated	
RN0111	0.5m (1.6ft)	black	100	12	46x31x27cm			
RN0112	0.5m (1.6ft)	red	100	12	46x31x27cm			
RN0113	0.5m (1.6ft)	blue	100	12	46x31x27cm			
RN0114	0.5m (1.6ft)	white	100	12	46x31x27cm			
RN0121	1.0m (3.3ft)	black	100	15	46x31x27cm			
RN0122	1.0m (3.3ft)	red	100	15	46x31x27cm			
RN0123	1.0m (3.3ft)	blue	100	15	46x31x27cm			
RN0124	1.0m (3.3ft)	white	100	15	46x31x27cm			
RN0131	1.5m (5ft)	black	100	20	46x31x27cm			
RN0132	1.5m (5ft)	red	100	20	46x31x27cm			
RN0133	1.5m (5ft)	blue	100	20	46x31x27cm			
RN0134	1.5m (5ft)	white	100	20	46x31x27cm			
RN0141	2.0m (6.6ft)	black	50	13	46x31x27cm			
RN0142	2.0m (6.6ft)	red	50	13	46x31x27cm			
RN0143	2.0m (6.6ft)	blue	50	13	46x31x27cm			
RN0144	2.0m (6.6ft)	white	50	13	46x31x27cm			
RN0151	2.5m (8.2ft)	black	50	15	46x31x27cm			
RN0152	2.5m (8.2ft)	red	50	15	46x31x27cm			
RN0153	2.5m (8.2ft)	blue	50	15	46x31x27cm			
RN0154	2.5m (8.2ft)	white	50	15	46x31x27cm			
RN0161	3.0m (10ft)	black	50	18	46x31x27cm			
RN0162	3.0m (10ft)	red	50	18	46x31x27cm			
RN0163	3.0m (10ft)	blue	50	18	46x31x27cm			
RN0164	3.0m (10ft)	white	50	18	46x31x27cm			




<b>TwyLock®</b>		Modification		Scale	
				-	
TwyLock® is a registered trademark of Riedo Networks Ltd. - Switzerland		1	Initial	19.08.2021	RWUS FRIE
		Rev	Description	Date	Drawn Approved
Title: TwyLock Power Cord C14-C13 15A			Part Number / Part Number Range: RN01xy		Rev: 1

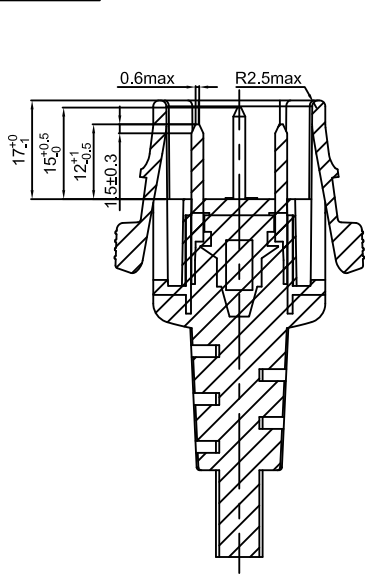
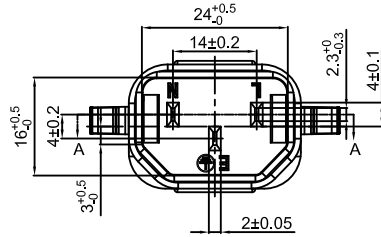
CLIENT TITLE		CLIENT SER NO.	RN01xy/RN02xy	APPROVAL BY :	
--------------	--	----------------	---------------	---------------	--

印字内容(MARKING):

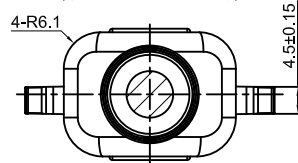
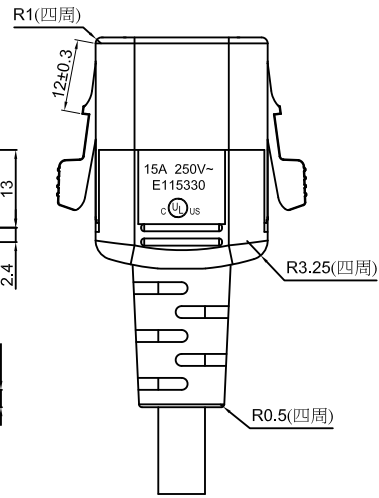
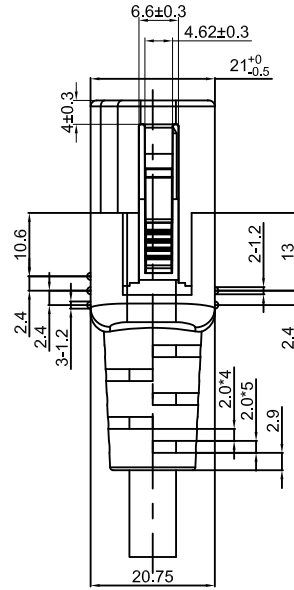
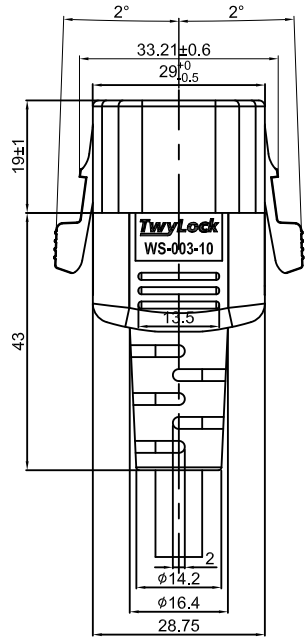
**TwyLock**  
WS-003-10

15A 250V~  
E115330

c  US



SECTION A-A



未註明公差指定 (單位:mm)	
0~5	±0.2
5~15	±0.3
15~30	±0.5
30~100	±0.8
100~300	±1.0
300~1000	±1.2



WELL SHIN TECHNOLOGY CO., LTD

CUSTOMER

Riedo專用

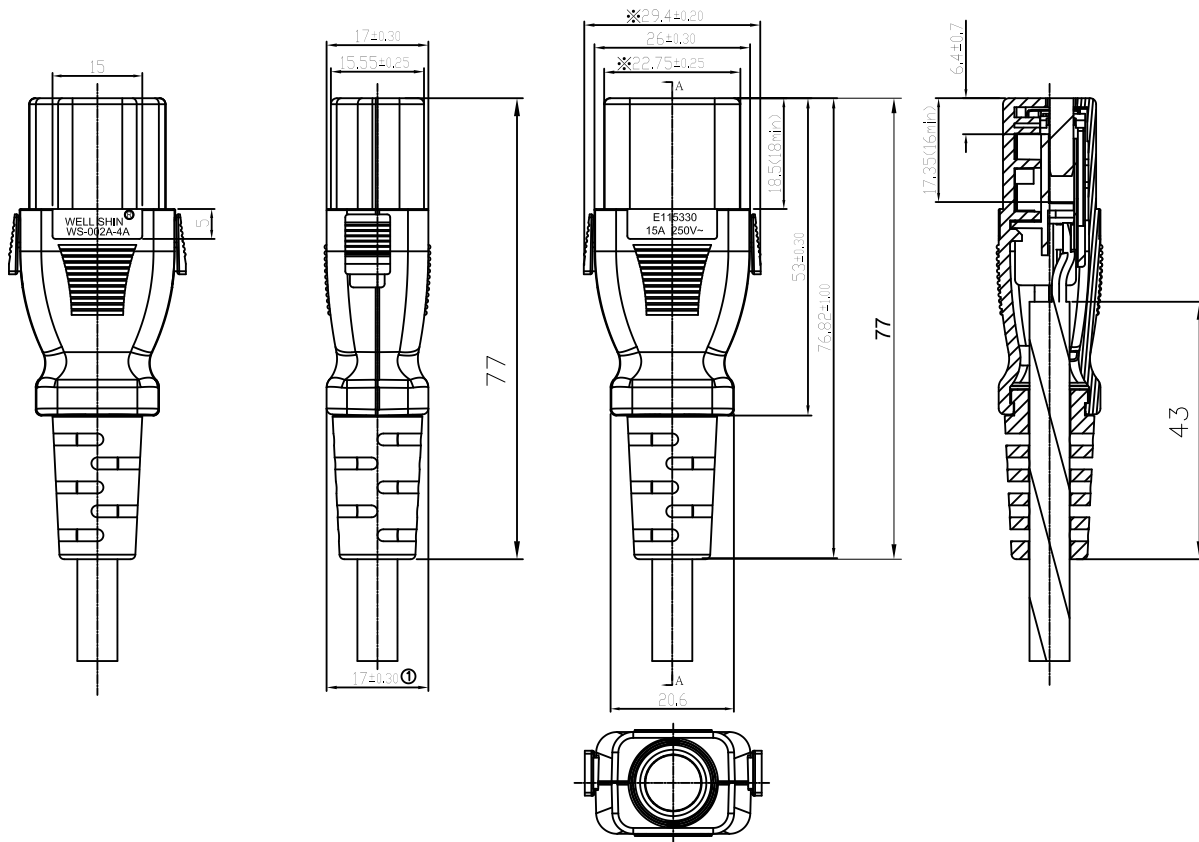
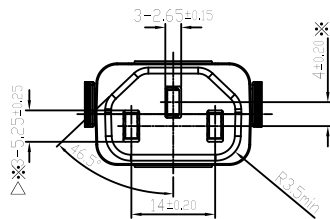
CHECK BY :

DRAWING NO	WS-003-10	TITLE	WS-003-10	ORIGINAL DATE	2021.09.14		
REMARK	台灣	大陸		UNIT	MM	REV	.
						MANAGER	DRAWN BY

CLIENT TITLE		CLIENT SER NO.	RN01xy	APPROVAL BY :	
--------------	--	----------------	--------	---------------	--

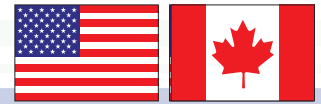
印字内容(MARKING):

WELL SHIN® WS-002A-4A
E115330 15A 250V~



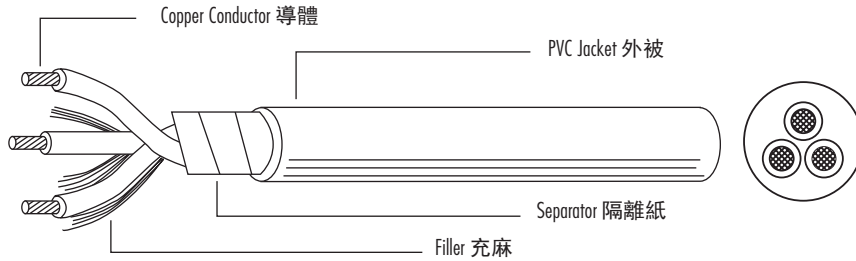
未註明公差指定 (單位:mm)	
0~5	±0.2
5~15	±0.3
15~30	±0.5
30~100	±0.8
100~300	±1.0
300~1000	±1.2

		CUSTOMER		Riedo專用		CHECK BY :	
DRAWING NO	WS-002A-4A	TITLE	WS-002A-4A	ORIGINAL DATE	2021.09.14		
REMARK	台灣	大陸	UNIT	MM	REV	MANAGER	DRAWN BY



## PVC Flexible Cord

- APPROVAL:  c 
- CONSTRUCTION :



GENERAL DATA :

TYPE 型號	CONDUCTOR ( 導體 )		INSULATION THICKNESS 絕緣厚度 (mm)	JACKET THICKNESS 外被厚度 (mm)	OVERALL DIAMETER 完成外徑 ±0.15(mm)
	SIZE 規格	NO./mm 線數 / 線徑			
SJT SJTW SJTO SJTOO SJTOW SJTOOW	18AWG/2C	41/0.160	0.76	0.76	7.40
	18AWG/3G	41/0.160	0.76	0.76	7.90
	18AWG/4G	41/0.160	0.76	0.76	8.50
	18AWG/5G	41/0.160	0.76	0.76	9.3
	16AWG/2C	26/0.254	0.76	0.76	7.90
	16AWG/3G	26/0.254	0.76	0.76	8.50
	16AWG/4G	26/0.254	0.76	0.76	9.30
	16AWG/5G	26/0.254	0.76	0.76	10.80
	14AWG/2C	41/0.254	0.76	0.76	8.8
	14AWG/3G	41/0.254	0.76	0.76	9.3
	14AWG/4G	41/0.254	0.76	0.76	10.50
	14AWG/5G	41/0.254	0.76	0.76	11.50
	12AWG/2C	65/0.254	0.76	1.14	10.5
	12AWG/3G	65/0.254	0.76	1.14	10.8
	12AWG/4G	65/0.254	0.76	1.14	12.5
	12AWG/5G	65/0.254	0.76	1.14	15.5
10AWG/2C	41/0.405	1.14	1.52	14.0	
10AWG/3G	41/0.405	1.14	1.52	14.7	
10AWG/4G	41/0.405	1.14	1.52	15.5	

Note: Number of circuit conductors 2-5, AWG size of circuit conductors 18-10.  
Due to O.D. tolerance, The above information is only for reference.

DESCRIPTION :

Standard: UL 62 Table 6.13 Non-oil-resistant hard-service cords. UL 62 Table 6.12 Oil-resistant hard-service cords.	標準：UL62 表 6.13 非耐油重載供電用軟線。 UL62 表 6.12 耐油重載供電用軟線。
Maximum voltage: 300V. Rated temperature: 60°C .	最大電壓：300V, 額定溫度：60°C。
Conductors material: Soft-annealed copper(7.1 and 7.2).	導體材質：退火軟銅 (7.1 and 7.2)。
Core wire and jacket material: PVC(60°C ,75°C ,90°C ,105°C ) .	芯線及外被材質：PVC(60°C ,75°C ,90°C ,105°C )。
The above cords can all be filled with yarn, paper and wrapped braids.	以上線材均可制作成充麻、包紙、纏繞編織。

APPLICATION :

Power supply cord for electrical appliances

電器產品用電線。

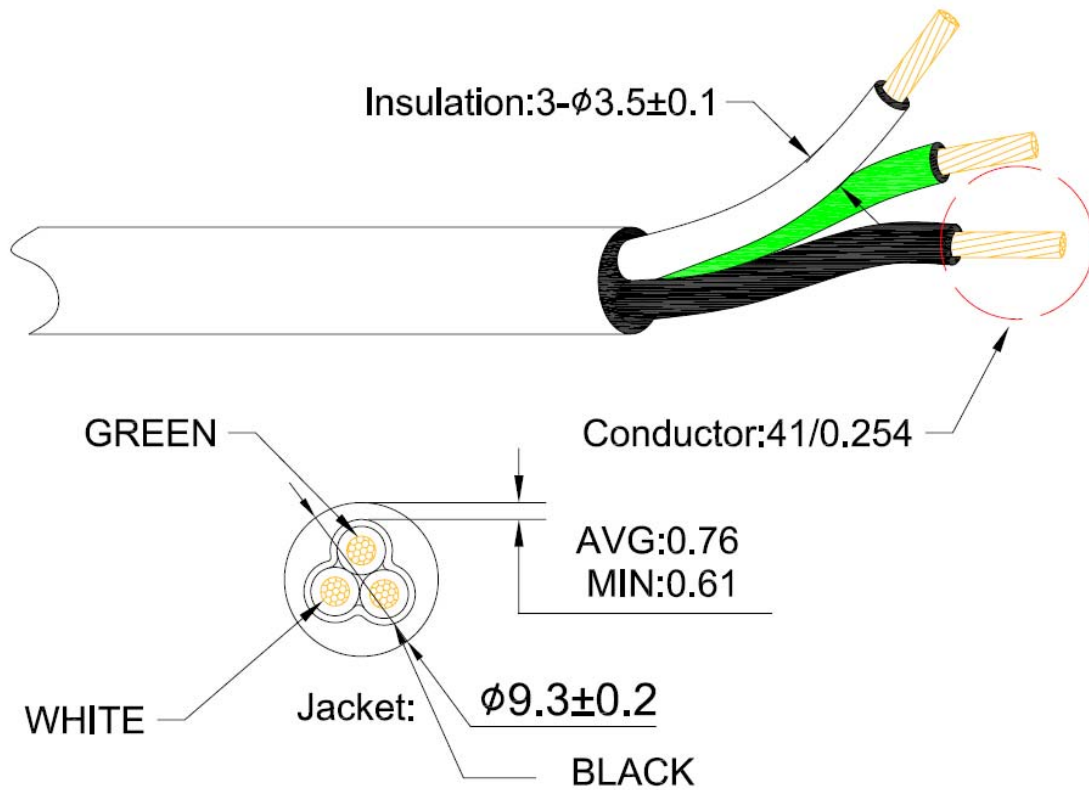


# FLEXIBLE CORD TECHNICAL DATA

STYLE	SJT 14AWG 3C 105°C	
Component	Cord Type	SJT
	Cord No.	3C
Conductor	Size (AWG)	14
	Construction (NO./mm)	41/0.254
Insulation	Material	PVC
	Average Thickness (mm)	0.76
	Minimum Thickness (mm)	0.69
	Over Diameter (mm)	3.5±0.1
	Color	BLACK、WHITE、GREEN
Jacket	Material	PVC
	Average Thickness (mm)	0.76
	Minimum Thickness (mm)	0.61
	Web (mm)	/
	Over Diameter (mm)	9.3±0.2
	Color	BLACK OR COLORED

Marking : (UL) SJT E90165 105°C VW-1 300V 3X2.08mm<sup>2</sup>(14AWG) WELL SHIN CSA TYPE SJT 105°C 3X2.08mm<sup>2</sup>(14AWG) FT2 300V LL57855

## Construction Drawing



## IEC CONFIGURATION

Cat. No.	Config.	Cord AWG	Electrical A/V	Sec.	Fig.	C-UL
WS-003,-003A	C14	18,17,16,15,14 /3	10,10,13,15,15/ 125 or 250	3	1	Yes
WS-003	C14	18/2	2.5,7,10/125 or 250	3	1	Yes
WS-003C-1, -2, -R, -L	C14	18,17,16,15,14 /3	10,10,13,15,15/125 or 250	3	4	Yes
*WS-079	Sheet C	18,16/2	7/125 or 2.5/250	1	12	Yes
*WS-079-C	Sheet C	18,16/2	7/125 or 2.5/250	1	-	Yes
*WS-079-1	Sheet C	18/2	7/125 or 2.5/250	1	12A	Yes
*WS-003D	Sheet I	17,16,15,14,12 /3	10,13,15,18,20/ 125 or 250	3	2	Yes
*WS-003D-L, -R	Sheet I	16,15,14,12/3	13,15,18,20/125 or 250	3	5,6	Yes
*WS-003E	Sheet G	18,16,14/2	10,13,15/125 or 250	3	3	Yes
*WS-134	Sheet A	18/3	7/125 or 2.5/250	3	7	Yes
WS-003-4	C14	18,17,16/3	10,10,13/125 or 250	3	8	Yes
WS-003D-4	C20	16,14,12/3	13,16,20/125 or 250	3	9	Yes
WS-134-1	C6	18/3	7,10/125 or 250	3	10	Yes
WS-079-3	C8	18,18,16/2	2.5,10,13/125 or 250	3	11	Yes
WS-003A-1	C14	18,17/3	10,10/250	3	12,13	Yes
WS-003-10	C14	18,17,16,14/3	10,10,13,15/125 or 250	3	14	Yes
WS-003-2	Sheet E	18/3	10/125 or 250	9	1	Yes
<b>WS-003D-10</b>	<b>Sheet I</b>	<b>16,15,14,12/3</b>	<b>13,15,15,20/125 or 250</b>	<b>3</b>	<b>15</b>	<b>Yes</b>

## NON-STANDARD CONFIGURATION

Cat. No.	Cord AWG	Electrical A/V	Sec.	Fig.	C-UL
PPC-25P-A, -B, -C, -D, -E	12/3	25/250	1	11	Yes
PPC-25P-5A, -B, -C, -D	10/5	30/250	1	13	Yes
PPC-25P-5AL, -BL, -CL, -DL	10/5	30/250	1	13	Yes
WS-001B14	16,14/2	13,15/125	1	18	Yes
WS-196	10/3	30/250	1	20	Yes
WS-196-1	10/3	30/125	1	20	Yes
WS-197	14,12/3	16,16/125	1	21	Yes



## IEC CONFIGURATION

Cat. No.	Config.	Cord AWG	A/V	Sec.	Fig.	C-UL
WS-002E	C17	18,16,14/2	10,13,15/125,250	2	-	Yes
WS-002E-1	C17	18,16,14/2	10,13,15/125,250	2	-	Yes
WS-002E-R	C17	18,16,14/2	10,13,15/125,250	2	-	Yes
WS-002E-2	C17	18,16,14/2	10,13,15/125,250	2	-	Yes
WS-002E-L	C17	18,16,14/2	10,13,15/125,250	2	-	Yes
WS-002F	C19	18,17,16,15,14,12/3	10,10,13,15,15,20/125 or 250	2	6	Yes
WS-002F-1	C19	18,17,16,15,14,12/3	10,10,13,15,15,20/125 or 250	2	6A	Yes
WS-002F	C19	18,17,16,15,14,12/3	10,10,13,15,15,20/125 or 250	2	61	Yes
(A.C.1)						
WS-002-18	C13	18,16,14/3	10,13,15/125,250	2	28	Yes
WS-002B1	C13	18,18,16,14/3	7,10,13,15/125,250	2	29	Yes
WS-002F-2	C19	18,17,16,15,14,12/3	10,10,13,15,15,20/125 or 250	2	6A	Yes
WS-002H	C23	18,17,16,15,14,12/2	10,10,13,15,15,16/125 or 250	2	6	Yes
WS-027	C7	18,18,18,16/2	2.5,5,7,7/125 or 2.5/250	2	4	Yes
*WS-027	C7	18,16/2	7,7/125 or 2.5/250	2	41	Yes
(A.C.1)						
WS-027A	C7	18,18,16/2	7,10,13/125,250	2	-	Yes
*WS-027A-2	C7	18,16/2	7,7/125 or 2.5/250	2	4A	Yes
*WS-027B	C7	18,16/2	7,7/125 or 2.5/250	2	4C	Yes
*WS-027C	C7	18,16/2	7,7/125 or 2.5/250	2	4D	Yes
*WS-027D	C7	18,16/2	7,7/125 or 2.5/250	2	4E	Yes
*WS-027-H	C7	18,16/2	7,7/125 or 2.5/250	2	4B	Yes
WS-029	C1	20,18/2	2,2/250	2	9	Yes
*WS-083	C5	18,17/3;18,17/2	7/125 or 2.5/250	2	5	Yes
WS-083-1	C5	18,17/3	7/125 or 2.5/250	2	5	Yes
WS-083-2	C5	18,17/3	7/125 or 2.5/250	2	5	Yes
WS-083-4	C5	18/3	10/125,250	2	7	Yes
WS-083-5	C5	18/2	10/125,250	2	7	Yes
*WS-083-6	C5	18, 17/3	7/125 or 2.5/250	2	5A	Yes
WS-002-4	C13	18/3	10/125,250	2	8	Yes
WS-002-21	C13	18/3	10/125	2	36	Yes
WS-002-20A	C13	16,14/3	13,15/125,250	2	37	Yes
WS-027-5	C7	18/2	10/125,250	2	48	Yes
WS-083-A	C5	18/3	10/125,250	2	49	Yes
WS-002A-3	C13	18/3	10/125,250	2	50	Yes
*WS-027-7	C7	18/2	7/125 or 2.5/250	2	58	Yes
WS-027D-3	C7	18/2	2.5 or 10/125	2	59	Yes
			10/250	2	59	Yes
WS-002-23	C13	18,18,16,14/3	7,10,13,15/125 or 250	6	1	Yes
WS-027-8	C7	18/2	7,10/125 or 250	6	2	Yes
WS-002A-4A	C13	18,18,17,16,15,14/3	7,10,10,13,10,15/125 or 250	6	5	Yes
WS-002F-11	C19	16,15,14,14,12/3	13,15,15,16,20/125 or 250	6	6	Yes
WS-083-C	C5	18/3	10/125	6	7	Yes
WS-002A-4	C13	18,18,17/3	7,10,10/125 or 250	6	8	Yes
WS-002A-4A	C13	18/3	7,10/125 or 250	6	-	Yes
(A.C.1)						
WS-002E-3	C17	18/2	7,10/125 or 250	6	9	Yes
WS-002A-R4	C13	18,18,17,16/3	7,10,10,13/125 or 250	6	10	Yes
WS-027D-4	C7	18/2	7/125	6	11	Yes
WS-027-11	C7	18/2	2.5/125	6	12	Yes
WS-002F-0	C19	16,14,12/3	13,15 or 16,20/ 125 or 250	6	14	Yes
WS-002G-4	C21	16,14,14,12/3	13,15,16,20/125 or 250	6	15	Yes
*WS-027D-5	C7	18/2	7/125 or 2.5/250	6	16	Yes
WS-002A- L5, WS- 002A-R5	C13	18,18,17,16,15,14/3	7,10,10,13,15,15/125 or 250	6	17	Yes
WS-002B-6, WS-002B-7	C13	18,18,17,16,15,14/3	7,10,10,13,15,15/125 or 250	6	18	Yes

## INDEX

	<u>Type</u>	<u>Section</u>
*	SPT-1, SPT-2, SPT-3, NISPT-1, NISPT-2	1
	SVT, SJT, ST, SJTO, STO, SJTW, STW	2
	Clock Cords	5