

東莞永力電業有限公司

YUNG LI CO., LTD

Da Pu Industrial Zone, Gang Zi, Changping Town,
Dong Guan City, Guangdong 523571 China.P.R.C

TEL:0769-83396797~8

FAX:0769-83396796

E-mail: sales@yung-li.com

Description : YP-02/YC-13

Customer : SIGNAL+POWER

Parts No. : P-ZIP-06B-C

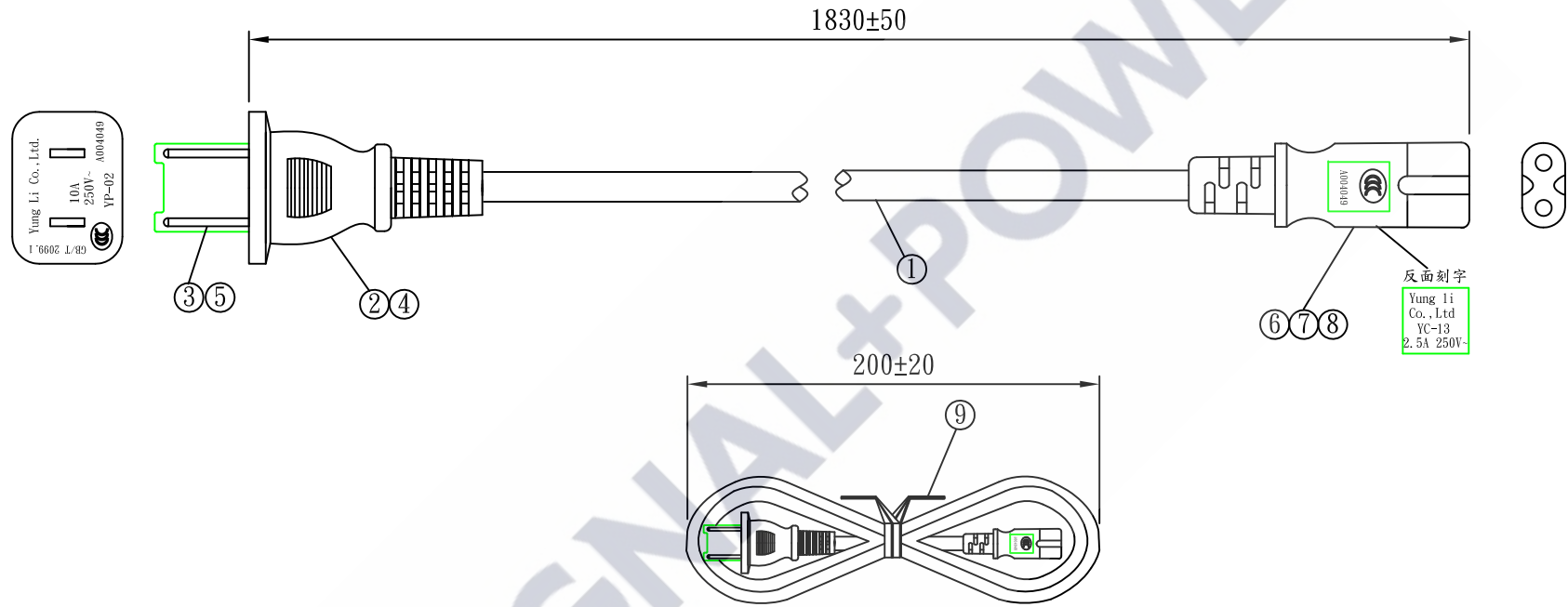
Draw No. :

REVISION RECORD

1		
2		
3		
4		
5		

YUNG LI	
CHECKED	PREPARED BY

CUSTOMER APPROVED	
CHECKED	PREPARED BY

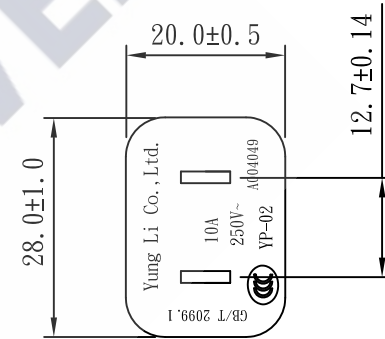
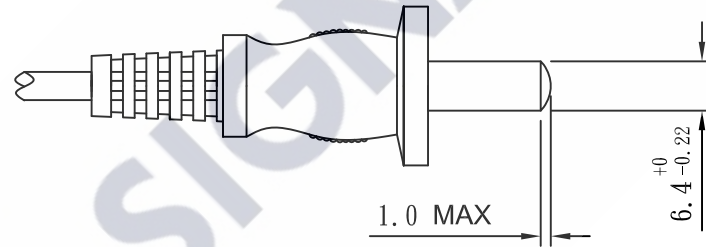
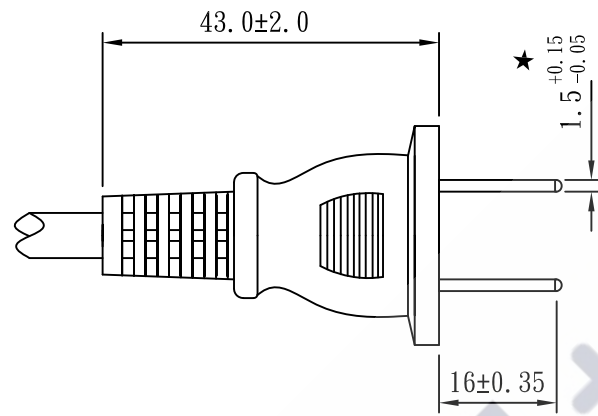


NO.	SPECIFICATION	QTY	REMARK
1	H03VVH2-F 0.75/2C RVV BLACK	1PC	1820±15(YL)
2	YP-02 PVC PLASTIC:50P BLACK	18g/PC	
3	TER:98655SBS-1	2PCS	
4	YP-02 INNER BODY	1PC	
5	SLEEVE	1PC	
6	YC-13 PVC PLASTIC:50P BLACK	9g/PC	
7	YC-13 TER	2PCS	
8	YC-13 H. S. G BLACK	1PC	
9	MINI TIE BLACK	1PC	

Tolerance >0±0.30 >1.0±0.50 >10.0±1.0 >20.0±2.0 Angle: ±1°	Approved	<i>Avo Landre</i>	Date	04-12-23	SIGNAL+POWER			
	Checked		Date					
	Drawn	SUKI	Date	23.01.07	Customer			
	Cat. No.	YP-02/YC-13			P/N.	P-ZIP-06B-C		
	Drawing No.	CY-C0011-14	Rev.	B	Material	P.V.C	Unit	mm
				Scale				



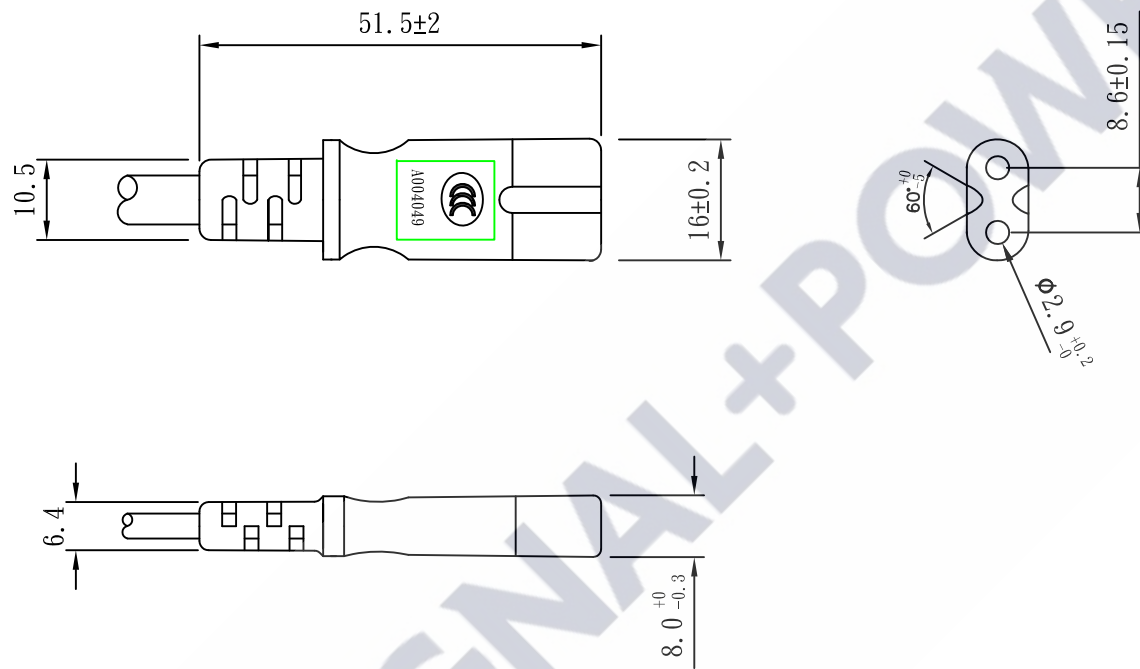
GB 1002
GB 2099



TOLERANCE >0±0.30 >1.0±0.50 >10.0±1.0 >20.0±2.0 Angle: ±1°	APPROVED		DATE	YUNG LI CO., LTD.			
	CHECKED		DATE				
	DRAWN		DATE				
	TYPE	YP-02		P/N			
	DRAWING NO	CY-P02C		MATERIAL	P.V.C	UNIT	mm
				SCALE	1:1		



IEC 60320 C7



TOLERANCE >0±0.30 >1.0±0.50 >10.0±1.0 >20.0±2.0 Angle: ±1°	APPROVED		DATE		YUNG LI CO., LTD.			
	CHECKED		DATE					
	DRAWN		DATE					
TYPE	YC-13(CCC)			P/N				
DRAWING NO	CY-C13C			MATERIAL	P. V. C	UNIT	mm	
			SCALE	1:1				

YUNG LI CO., LTD

SPECIFICATION

Yung Li	Style	PVC FLEXIBLE CORDS	Document No
2019.04.22			CY-V04034
Edition	Size	H03VVH2-F 2 x 0.75mm²	Page
A			1/2

1. Standard: IEC 227 IEC228

2. Construction & Dimension

	Item	Specification
Conductor	Size	2 x 0.75mm ²
	Material	Annealed Bare Copper
	Construction	67 / ϕ 0.12±0.01
Insulation	Material	PVC
	Minimum Average Thickness	0.50mm
	Minimum Thickness at any point	0.35mm
	Diameter	2.15 ± 0.10
	Identification	Blue,Brown
Core Assembly	Core Twist	2-Core
	Filler	NA
	Assembly Pair	NA
Taping	Mylar Foil	NA
Shielded	A1-Mylar Foil	NA
Drain	Material	NA
	Construction	NA
Jacket	Material	PVC
	Minimum Average Thickness	0.60mm
	Minimum Thickness at any point	0.44mm
	Overall Diameter(Approx)	3.4 ± 0.1/5.6±0.15
	Color	Any Color

Marking:

Yung Li Co., Ltd. H03VVH2-F 2X0.75mm² <VDE> NF-USE 1347 (NF) KEMA-KEUR △CEBEC <OVE>
 IEMMEQU SAA-190646-EA (CCC) A004049 60227 IEC 52(RVV) 300/300V (K) SU01027-4001

YUNG LI CO., LTD

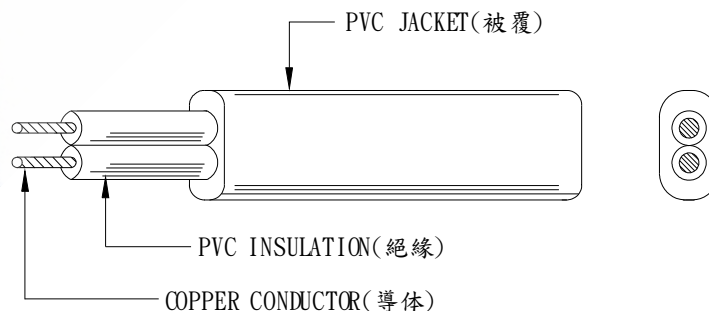
SPECIFICATION

Yung Li	Style	PVC FLEXIBLE CORDS	Document No
2019.04.22			CY-V04034
Edition	Size	H03VVH2-F 2 x 0.75mm²	Page
A			2/2

3. Electrical & Physical Properties

Item	Specification		
Rating Voltage	70°C 300V		
Conductor resistance(AT 20°C)	26.0Ω/Km MAX		
Insulation Resistance(AT 70°C)	0.010MΩ/Km Min		
Dielectric Strength	AC 2.0 KV / 15 min No Break		
Spark Test	5.0KV		
Insulation	Unaged	Tensile Strength	1500 lbs/in ² min
		Elongation	150% Min
	Aged	Tensile Strength	80~120% (80°C x168hrs)
		Elongation	80~120% (80°C x168hrs)
Jacket	Unaged	Tensile Strength	1500 lbs/in ² min
		Elongation	150% Min
	Aged	Tensile Strength	80~120% (80°C x168hrs)
		Elongation	80~120% (80°C x168hrs)
Deformation Test	70±4°C X 1hr ≤ 50%		
Cold Bend Test	-15°C x 4hr No Crack		
Heat Shock Test	150±2°C x 1hr No Crack		

Graph:





CERTIFICATE FOR CHINA COMPULSORY PRODUCT CERTIFICATION

CERTIFICATE NO.: 2007010101249045

NAME AND ADDRESS OF THE APPLICANT

Yung Li Co.,Ltd.

Dapu Industrial Zone, Gangzi, Changping Town, Dongguan

NAME AND ADDRESS OF THE MANUFACTURER

Yung Li Co.,Ltd.

Dapu Industrial Zone, Gangzi, Changping Town, Dongguan

NAME AND ADDRESS OF THE FACTORY

Yung Li Co.,Ltd.

Dapu Industrial Zone, Gangzi, Changping Town, Dongguan, Guangdong

PRODUCT NAME, MODEL AND SPECIFICATION

Cord Set

YP-02 10A 250V~+YC-13 2.5A 250V~(配 60227IEC53 2×0.75 平方毫米,60227IEC52 2×0.75 平方毫米),
YP-02 10A 250V~+YC-13L 2.5A 250V~(配 60227IEC53 2×0.75 平方毫米,60227IEC52 2×0.75 平方毫米),
YP-02 10A 250V~+YC-13D 2.5A 250V~(配 60227IEC53 2×0.75 平方毫米,60227IEC52 2×0.75 平方毫米),
YP-02L 10A 250V~+YC-13 2.5A 250V~(配 60227IEC53 2×0.75 平方毫米,60227IEC52 2×0.75 平方毫米),
YP-02L 10A 250V~+YC-13L 2.5A 250V~(配 60227IEC53 2×0.75 平方毫米,60227IEC52 2×0.75 平方毫米),
YP-02L 10A 250V~+YC-13D 2.5A 250V~(配 60227IEC53 2×0.75 平方毫米,60227IEC52 2×0.75 平方毫米)

THE STANDARDS AND TECHNICAL REQUIREMENTS FOR THE PRODUCTS

GB/T15934-2008

This is to certify that the above mentioned product(s) complies with the requirements of implementation rules for compulsory certification(REFNO.CNCA-C02-01:2014).

Valid from: Sep.18,2019

Valid until: Sep.18,2024

The validity of the certificate is subject to positive result of the regular follow up inspection by issuing certification body until the expiry date.

Date of original issued: Sep.27,2007

The certificate information is available through CNCA's website: www.cnca.gov.cn

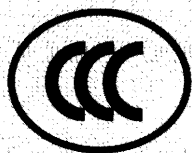


President:

Lu Mei



CHINA QUALITY CERTIFICATION CENTRE



CERTIFICATE FOR CHINA COMPULSORY PRODUCT CERTIFICATION

CERTIFICATE NO.: 2004010105138414

NAME AND ADDRESS OF THE APPLICANT

Yung Li Co.,Ltd.
Dapu Industrial Zone,Gangzi,Changping Town,Dongguan

NAME AND ADDRESS OF THE MANUFACTURER

Yung Li Co.,Ltd.
Dapu Industrial Zone,Gangzi,Changping Town,Dongguan

NAME AND ADDRESS OF THE FACTORY

Yung Li Co.,Ltd.
Dapu Industrial Zone,Gangzi,Changping Town,Dongguan

PRODUCT NAME, MODEL AND SPECIFICATION

PVC insulated flexible cables and wires
60227 IEC 52(RVV) 300/300V 0.5-0.75(2-3 芯); 60227 IEC 53(RVV) 300/500V 0.75-2.5(2-5 芯);

THE STANDARDS AND TECHNICAL REQUIREMENTS FOR THE PRODUCTS

GB/T 5023.5-2008/IEC60227-5:2003

This is to certify that the above mentioned product(s) complies with the requirements of implementation rules for compulsory certification(REFNO.CNCA-C01-01:2014).

Valid from: Nov.20,2020

Valid until: Nov.20,2025

The validity of the certificate is subject to positive result of the regular follow up inspection by issuing certification body until the expiry date.

Date of original issued: Jan.04,2005

The certificate information is available through CNCA's website: www.cnca.gov.cn
Accredited by China National Accreditation Service for Conformity Assessment (CNAS)



President:

Lu Mei



CHINA QUALITY CERTIFICATION CENTRE