

# 東莞永力電業有限公司

YUNG LI CO., LTD

Da Pu Industrial Zone, Gang Zi, Changping Town,  
Dong Guan City, Guangdong 523571 China.P.R.C

TEL:0769-83396797~8

FAX:0769-83396796

E-mail: sales@yung-li.com

Description: YP-JB/YC-1J

Customer: SIGNAL+POWER

Parts No.: P-8018-10B

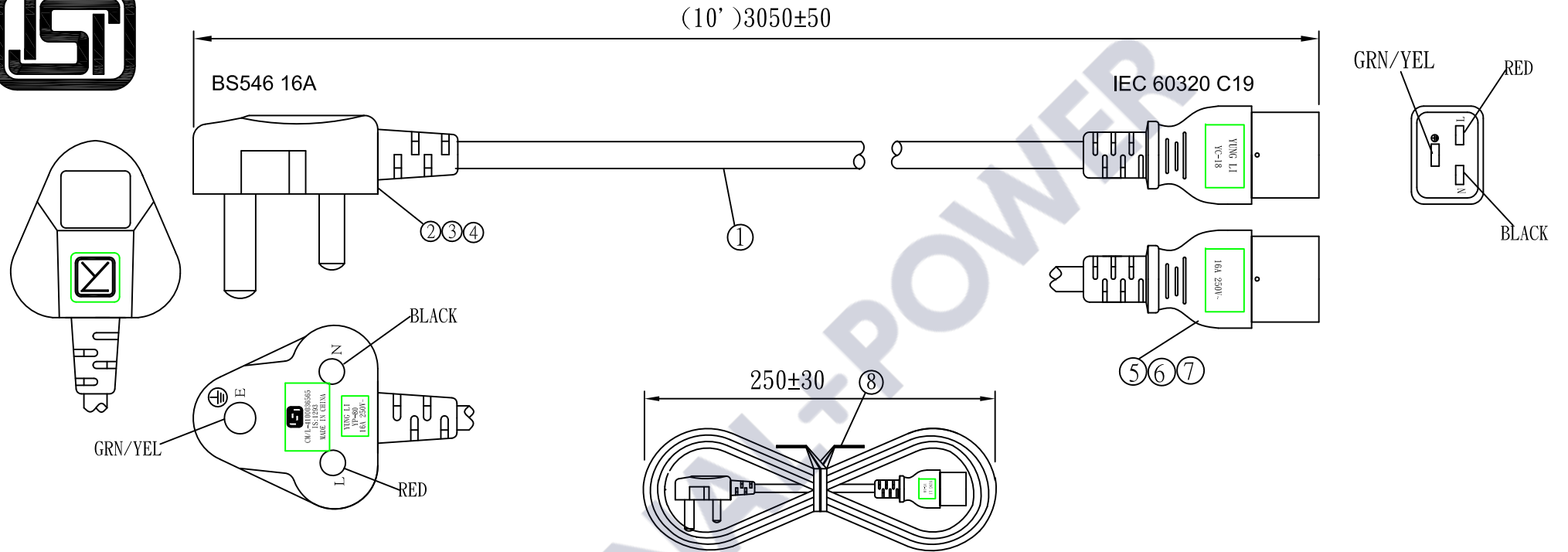
Draw No.:

## REVISION RECORD

1		
2		
3		
4		
5		

YUNG LI	
CHECKED	PREPARED BY

CUSTOMER	APPROVED



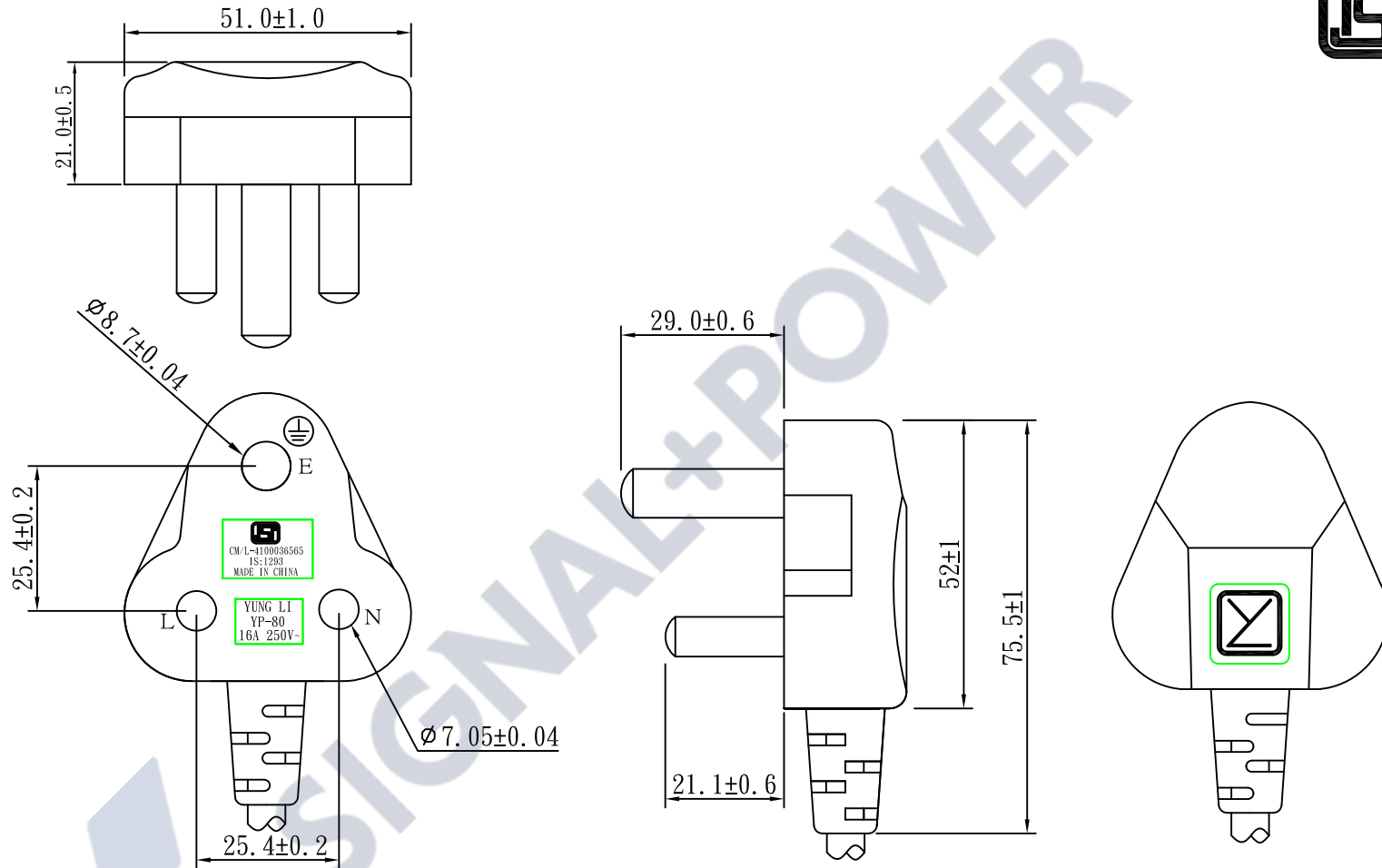
NO.	SPECIFICATION	QTY	REMARK
1	Y Y 3G 1.5mm <sup>2</sup> CIRCULAR BLACK	1PC	
2	YP-80 PVC PLASTIC:50P BLACK	50g/PC	
3	END cap:P98010B-B	1PC	
4	FRAME WHITE:P98010A-1W	1PC	
5	YC-18 INNER BODY	1PC	
6	YC-18 TER	3PCS	
7	YC-18 PVC PLASTIC:50P BLACK	25g/PC	
8	MINI TIE:L=210mm BLACK	1PC	

### Marking:

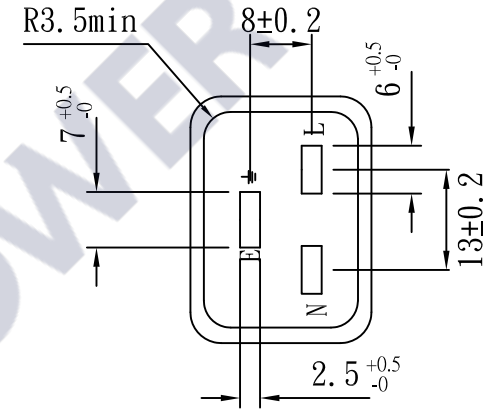
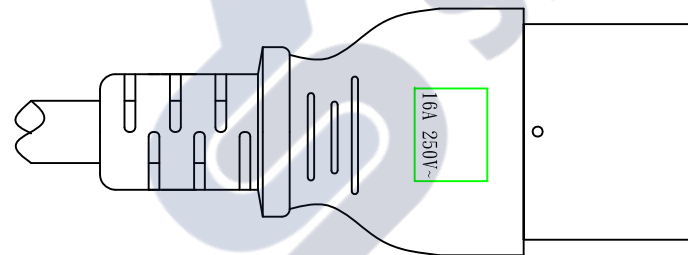
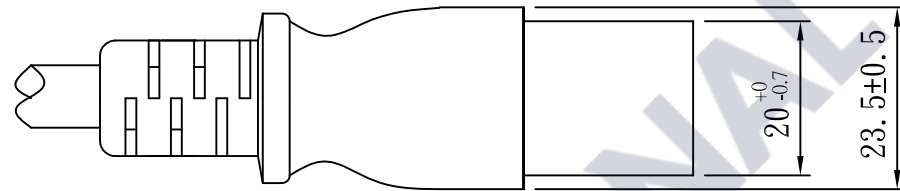
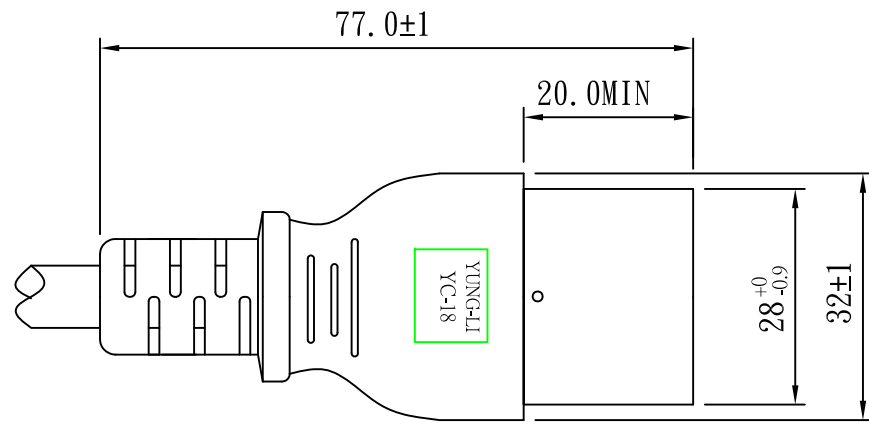
Yung Li Co. Ltd. Y Y 3C 1.5mm<sup>2</sup> CIRCULAR 1100V IS 694 CM/L-4041337 MADE IN CHINA

Tolerance >0±0.30 >1.0±0.50 >10.0±1.0 >20.0±2.0 Angle: ±1°	Approved	Date	SIGNAL+POWER				
	Checked	Date					
	Drawn	Date	Customer				
	Cat. No.	YP-80/YC-18		P/N.	P-8018-10B		
Drawing No.	CY-B0083	Rev.	B	Material	P.V.C	Unit	mm
				HEFT(g)	478		

IA16A3 and also known as IS1293 or BS546



TOLERANCE >0±0.30 >1.0±0.50 >10.0±1.0 >20.0±2.0 Angle: ±1°	APPROVED		DATE		YUNG LI CO., LTD			
	CHECKED		DATE					
	DRAWN	HAIYAN	DATE	17.08.01				
	TYPE	YP-80(16A)			CUSTOMER			
	DRAWING NO.		REV	B	MATERIAL	P. V. C	UNIT	mm
				SCALE				



Tolerance >0±0.30 >1.0±0.50 >10.0±1.0 >20.0±2.0 Angle: ±1°	Approved		Date		<b>YUNG LI CO.,LTD</b>			
	Checked		Date					
	Drawn		Date		Customer			
	Cat. No.	YC-18			P/N.			
	Drawing No.		Rev.	B	Material	P. V. C	Unit	mm
				Scale		⊕	▭	

# YUNG LI CO., LTD

## SPECIFICATION


Yung Li	Style	PVC FLEXIBLE CORDS	Document No
2015.11.6			
Edition	Size	<b>Y Y 3C 1.5mm<sup>2</sup></b>	Page
A			1/2

1. Standard: IEC 60227 IEC60228

2. Construction & Dimension

	Item	Specification
Conductor	Size	3G 1.5mm <sup>2</sup>
	Material	Annealed Bare Copper
	Construction	48/ $\phi$ 0.202±0.01
Insulation	Material	PVC
	Minimum Average Thickness	0.70mm
	Minimum Thickness at any point	0.56mm
	Diameter	3.05± 0.10
	Identification	RED, BLACK, GREEN/YELLOW
Core Assembly	Core Twist	3-Core
	Filler	NA
	Assembly Pair	NA
Taping	Mylar Foil	NA
Shielded	A1-Mylar Foil	NA
Drain	Material	NA
	Construction	NA
Jacket	Material	NA
	Minimum Average Thickness	0.9mm
	Minimum Thickness at any point	0.72mm
	Overall Diameter(Approx)	8.6± 0.15
	Color	Any color

**Marking:**

Yung Li Co. Ltd. Y Y 3C 1.5mm<sup>2</sup> CIRCULAR 1100V IS 694  CM/L-4041337 MADE IN CHINA

# YUNG LI CO., LTD

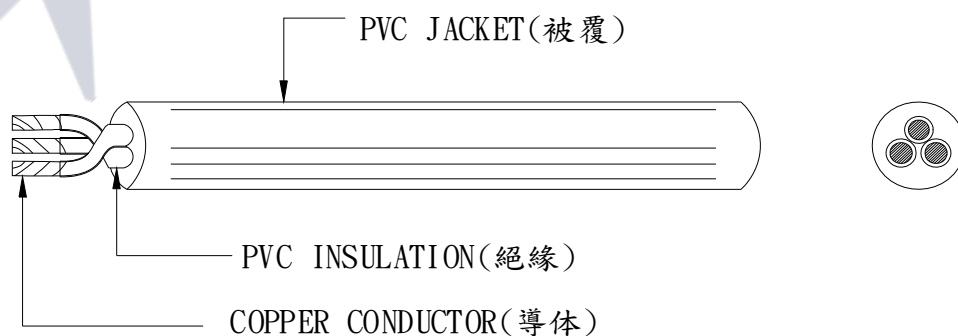
## SPECIFICATION

Yung Li	Style	PVC FLEXIBLE CORDS	Document No
2015.11.6			
Edition	Size	<b>Y Y 3C 1.5mm<sup>2</sup></b>	Page
A			2/2

### 4. Electrical & Physical Properties

Item	Specification		
Rating Voltage	70°C 300/500V		
Conductor resistance(AT 20°C)	13.3Ω/Km Max		
Insulation Resistance(AT 70°C)	0.010MΩ/Km Min		
Dielectric Strength	AC 2.0 KV / 15MIN No Break		
Spark Test	5KV		
Insulation	Unaged	Tensile Strength	1.02 kgf/mm <sup>2</sup> min
		Elongation	150% Min
	Aged	Tensile Strength	80~120% (80°C x168hrs)
		Elongation	80~120% (80°C x168hrs)
	Loss of mass Test		2.0mg/cm <sup>2</sup> (max)
Jacket	Unaged	Tensile Strength	1.02 kgf/mm <sup>2</sup> min
		Elongation	150% Min
	Aged	Tensile Strength	80~120% (80°C x168hrs)
		Elongation	80~120% (80°C x168hrs)
	Loss of mass Test		2.0mg/cm <sup>2</sup> (max)
Deformation Test		70±4°C X 1hr ≤ 50%	
Cold Bend Test		-15°C x 4hr No Crack	
Heat Shock Test		150±2°C x 1hr No Crack	

### Graph:







AIRMAIL/SPEED POST

Our Ref: FMCD-CM/L-4100036565

20-07-2020

Subject: RENEWAL OF CERTIFICATION MARKS LICENCE NO. CM/L- 4100036565  
AS PER IS 1293: 2019

M/s Dongguan Yung Li Co. Ltd.,  
Da Pu Industrial Zone, Gangzi,  
ChangPing Town, DongGuan City  
Changping District, GuangDong State,  
P.R. China - 523571

Dear Sir,

With reference to your application for renewal of the above mentioned Certification Marks Licence, we are pleased to inform you that it has been renewed from 19/07/2020 to 18/07/2025.

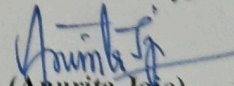
It may please be noted that your licence shall expire at the end of the above mentioned period. You are, therefore, requested to send your application along with fee for its renewal at least one month before the expiry of the licence.

It may also be noted that the Performance Bank Guarantee of US\$ 10,000.00 submitted by you is valid upto 11.09.2021. Since as per the revised guidelines the Bank Guarantee should have a validity of six months more than the validity of the licence therefore, you are advised to get the validity of the Bank Guarantee extended accordingly. You are directed to submit revised Performance Bank Guarantee before its validity date, failing which we may be constrained to take action such as stop marking/cancellation of the BIS licence as enshrined in the BIS (Certification) Regulation, 2016. Please ensure extension of PBG as early as possible.

The endorsement sheet regarding revision of marking fee and renewal of licence are enclosed. This may be annexed to the original licence document available with you.

Thanking you.

Yours faithfully,

  
(Anurita Jojo)  
Sc. D (FMCD)

Encl: As above

Copy to:

Mr. Prakash Taunk  
239, Nagpur Road,  
Madan Mahal, Jabalpur,  
M.P. - 482001





भारतीय मानक ब्यूरो  
BUREAU OF INDIAN STANDARDS

FMCD

Address : Manak Bhavan, 9 Bahadur Shah  
Zafar Marg, New Delhi, 110002  
Phones : 91-11-23239382  
Fax : 91-11-23239382  
E-mail : [fmcd@bis.org.in](mailto:fmcd@bis.org.in)  
Web : <http://www.bis.org.in>

ATTACHMENT TO LICENCE NO. CM/L- 4100036565

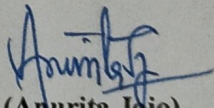
CML/NO	NAME OF THE LICENSEE WITH THE FACTORY ADDRESS	NAME OF THE PRODUCT	INDIAN STANDARD NO.
4100036565	M/s Dongguan Yung Li Co. Ltd., Da Pu Industrial Zone, Gangzi, ChangPing Town, DongGuan City Changping District, GuangDong State, P.R. China - 523571	Plugs and socket- outlets of rated voltage upto & including 250 volts and rated current upto & including 16 amperes - Specification	IS 1293 : 2019

ENDORSEMENT NO. 04 DATED 20-07-2020

Whereas, the licence was valid upto Eighteenth July Two Thousand Twenty,

Now, consequent upon renewal, the validity of the licence given in endorsement No. 01 has been extended from Nineteenth July Two Thousand Twenty to Eighteenth July Two Thousand Twenty Five.

Other terms and conditions of Licence remain the same.

  
(Anurita Jojo)  
Sc. D (FMCD)





AIRMAIL/SPEED POST

Our Ref: FMCD-CM/L-4041337

27-08-2020

Subject: RENEWAL OF CERTIFICATION MARKS LICENCE NO. CM/L- 4041337  
AS PER IS 694:2010

M/s Dongguan Yung Li Co. Ltd.,  
DaPu Industrial Zone,  
Gangzi Changping Town,  
Dongguan City,  
Guangdong - 523571  
China

Dear Sir,

With reference to your application for renewal of the above mentioned Certification Marks Licence, we are pleased to inform you that it has been renewed from 01/09/2020 to 31/08/2025.

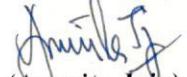
It may please be noted that your licence shall expire at the end of the above mentioned period. You are, therefore, requested to send your application along with fee for its renewal at least one month before the expiry of the licence.

It may also be noted that the Performance Bank Guarantee of US\$ 10,000.00 submitted by you is valid upto 11-09-2021. Since as per the revised guidelines the Bank Guarantee should have a validity of six months more than the validity of the licence therefore, you are advised to get the validity of the Bank Guarantee extended accordingly. You are directed to submit revised Performance Bank Guarantee before its validity date, failing which we may be constrained to take action such as stop marking/cancellation of the BIS licence as enshrined in the BIS (Conformity Assessment) Regulation, 2018. Please ensure extension of PBG as early as possible.

The endorsement sheet regarding renewal of licence is enclosed. This may be annexed to the original licence document available with you.

Thanking you.

Yours faithfully,

  
(Anurita Jojo)  
Sc. D (FMCD)

Encl: As above

Copy to: Mr. Ravinder Madan  
Planet Standards Certification Advisors  
63, Bhagwan Buddha Apt, Parwana Road,  
Pitampura, Delhi- 110034



भारतीय मानक ब्यूरो  
BUREAU OF INDIAN STANDARDS

Address : Manak Bhavan, 9 Bahadur Shah  
Zafar Marg, New Delhi, 110002  
Phones : 91-11-23239382  
Fax : 91-11-23239382  
E-mail : [fmcd@bis.org.in](mailto:fmcd@bis.org.in)  
Web : <http://www.bis.org.in>

FMCD

ATTACHMENT TO LICENCE NO. CM/L- 4041337

CML/NO	NAME OF THE LICENSEE WITH THE FACTORY ADDRESS	NAME OF THE PRODUCT	INDIAN STANDARD NO.
4041337	M/s Dongguan Yung Li Co. Ltd., DaPu Industrial Zone, Gangzi Changping Town, Dongguan City, Guangdong - 523571 China	PVC insulated unsheathed and sheathed cables/cords with rigid & flexible conductor for rated voltages upto & including 1100 V	IS 694 : 2010

ENDORSEMENT NO. 10 DATED 27-08-2020


Consequent to the change of name and address of the Authorized Indian Representative, the name and address of the Authorized Indian Representative is as under :-

**Mr. Ravinder Madan**  
Planet Standards Certification Advisors  
63, Bhagwan Buddha Aptt, Parwana Road,  
Pitampura, Delhi- 110034

Whereas, the licence was valid upto Thirty-first August Two Thousand Twenty,

Now, consequent upon renewal, the validity of the licence given in endorsement no. 09 has been extended from First September Two Thousand Twenty to Thirty-first August Two Thousand Twenty Five.

Other terms and conditions of Licence remain the same.

  
(Anurita Jojo)  
Sc. D (FMCD)