

東莞永力電業有限公司

YUNG LI CO., LTD

Da Pu Industrial Zone, Gang Zi, Changping Town,
Dong Guan City, Guangdong 523571 China.P.R.C

TEL:0769-83396797~8

FAX:0769-83396796

E-mail: sales@yung-li.com

Description: YP-75L/YC-75L

Customer: SIGNAL+POWER

Parts No. : P-75L75L-50B-64SOOW

Draw No. :

REVISION RECORD

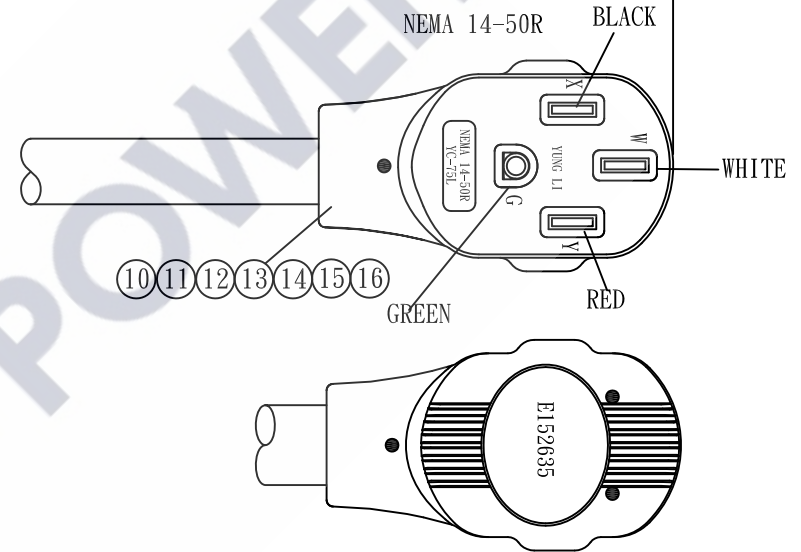
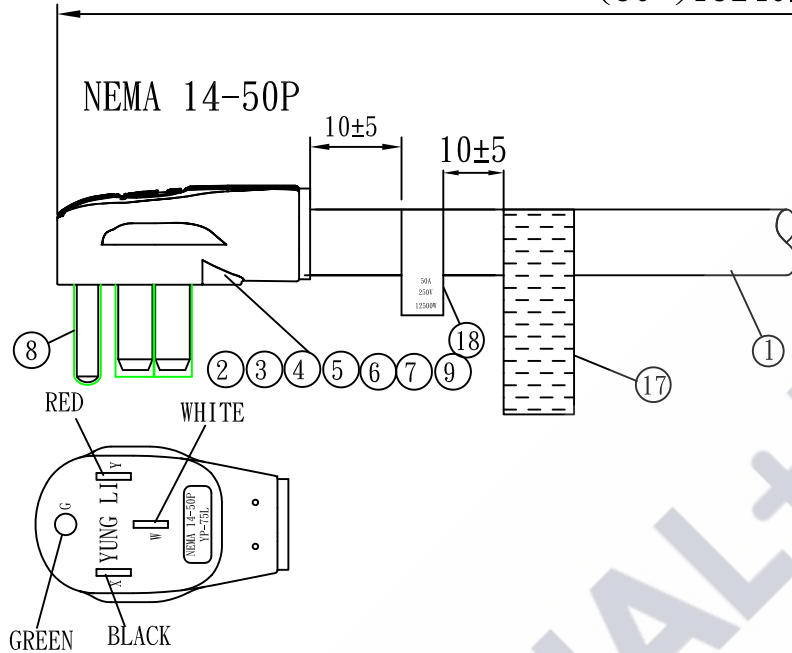
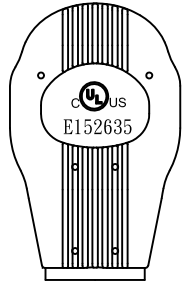
1		
2		
3		
4		
5		

YUNG LI	
CHECKED	PREPARED BY

CUSTOMER	APPROVED



(50') 15240±200



Packing: Bulk Pack.

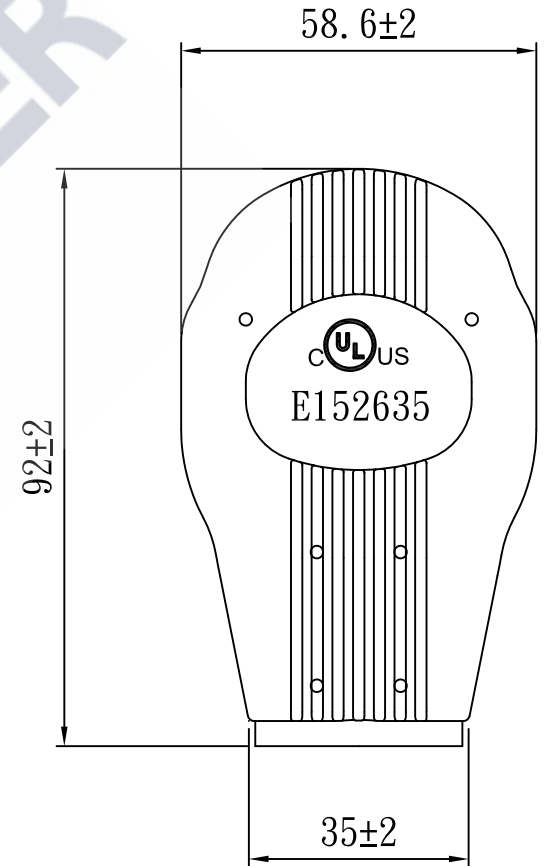
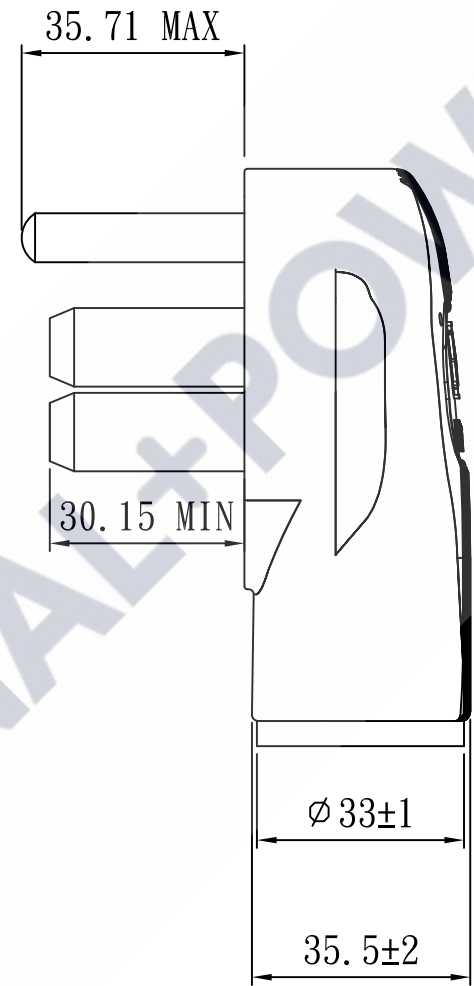
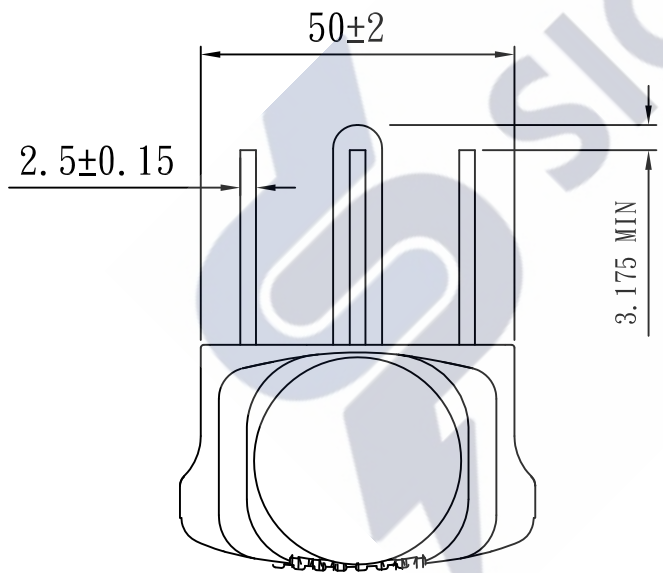
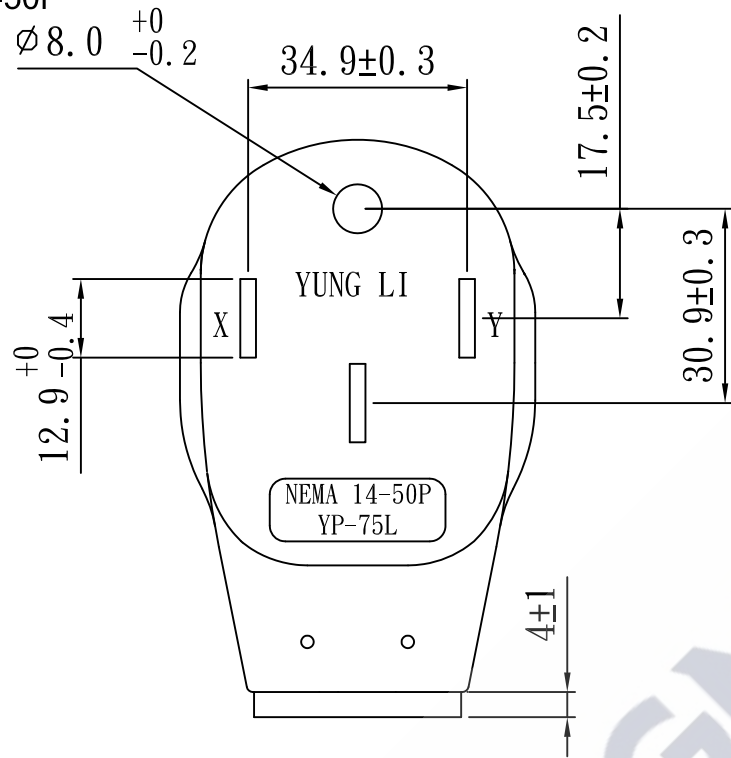
NO.	SPECIFICATION	QTY	REMARK
1	SOOW 6/4C 90°C BLACK	1PC	
2	YP-75L PVC PLASTIC:35P BLACK	56g/PC	
3	YP-75L INNER BODY	1PC	
4	"G" TER: 98479ABS-0	1PC	
5	"X" TER: 97650ABS-0	1PC	
6	"Y" TER: 97650ABS-0/RP	1PC	
7	"W" TER: 97650BBL-0	1PC	
8	SLEEVE	1PC	
9	RING: $\phi 26.0 \times 4.0 \times 1.0$ mm	1PC	
10	YC-75L PVC PLASTIC:35P BLACK	45g/PC	
11	YC-75L INNER BODY	1PC	
12	"G" TER: XDOP001983	1PC	
13	"X" TER: 95770ABL-0	1PC	
14	"Y" TER: 95770BL-0	1PC	
15	"W" TER: XDOP001996	1PC	
16	RING: $\phi 26.0 \times 4.0 \times 1.0$ mm	1PC	
17	Warning Label: 230*36mm	1PC	Label-205
18	UL LABEL: 50A 250V	1PC	

Sample Drawing No.:
SP200724-14

Tolerance >0±0.30 >1.0±0.50 >10.0±1.0 >20.0±2.0 Angle: ±1°	Approved	Date	SIGNAL+POWER				
	Checked		Date				
Drawn	SUKI	Date	20.07.24	Customer			
Cat. No.	YP-75L/YC-75L		P/N.	P-75L75L-50B-64SOOW			
Drawing No.		Rev.	B	Material	P. V. C	Unit	mm
				HEFT(g)			



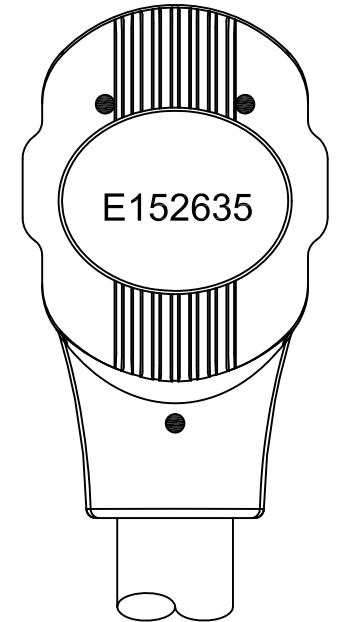
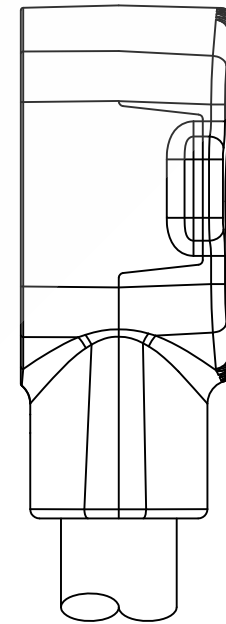
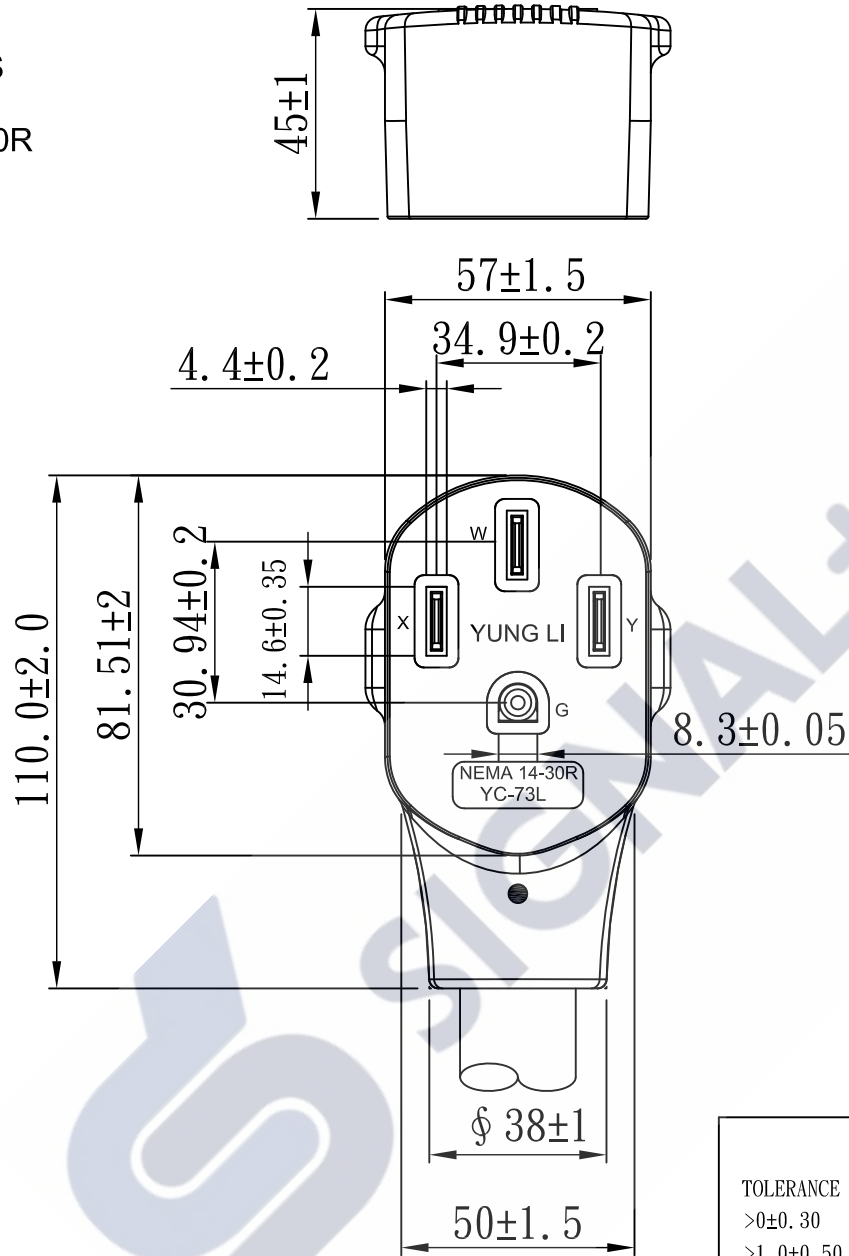
NEMA 14-50P



TOLERANCE >0±0.30 >1.0±0.50 >10.0±1.0 >20.0±2.0 Angle: ±1°	APPROVED		DATE		YUNG LI CO., LTD			
	CHECKED		DATE					
	DRAWN		DATE		CUSTOMER			
	TYPE	YP-75L(14-50P)			P/N			
	DRAWING NO.	CY-P75LU	REV	B	MATERIAL	P. V. C	UNIT	mm
				SCALE	1:1			



NEMA 14-50R



TOLERANCE $>0 \pm 0.30$ $>1.0 \pm 0.50$ $>10.0 \pm 1.0$ $>20.0 \pm 2.0$ Angle: $\pm 1^\circ$	APPROVED		DATE		YUNG LI CO., LTD				
	CHECKED		DATE						
	DRAWN	周淑萍	DATE	19.06.04	CUSTOMER				
	TYPE	YC-75L(14-50R)			P/N				
	DRAWING NO.		REV	B	MATERIAL	P. V. C	UNIT	mm	
				SCALE	1:1				

YUNG LI CO., LTD

SPECIFICATION

Yung-Li	Style	PVC FLEXIBLE CORDS	Document No
2012.04.27			
Edition	Size	SOOW 6/4C 90°C	Page
A			1/2

1. Standard : UL 62 UL 1581

2. Construction & Dimension

	Item	Specification
Conductor	Size	6AWG X 4C
	Material	Annealed Bare Copper
	Construction	262/ § 0.254±0.005
Insulation	Material	NBR/PVC
	Minimum Average Thickness	1.52mm
	Minimum Thickness at any point	1.37mm
	Diameter	7.95 ± 0.15
	Identification	Black White Green Red
Core Assembly	Core Twist	4-Core
	Filler	Cotton Wire 36000D
	Assembly Pair	NA
Taping	Mylar Foil	NA
Shielded	A1-Mylar Foil	NA
Drain Wire	Material	NA
	Construction	NA
Jacket	Material	NBR/PVC
	Minimum Average Thickness	3.56mm
	Minimum Thickness at any point	2.84mm
	Overall Diameter(Approx)	27.2 ± 0.25
	Color	Any Color

Marking :

YUNG LI. (UL) E241374 SOOW 4/C 6AWG(13.3mm²) 90°C 600V VW-1

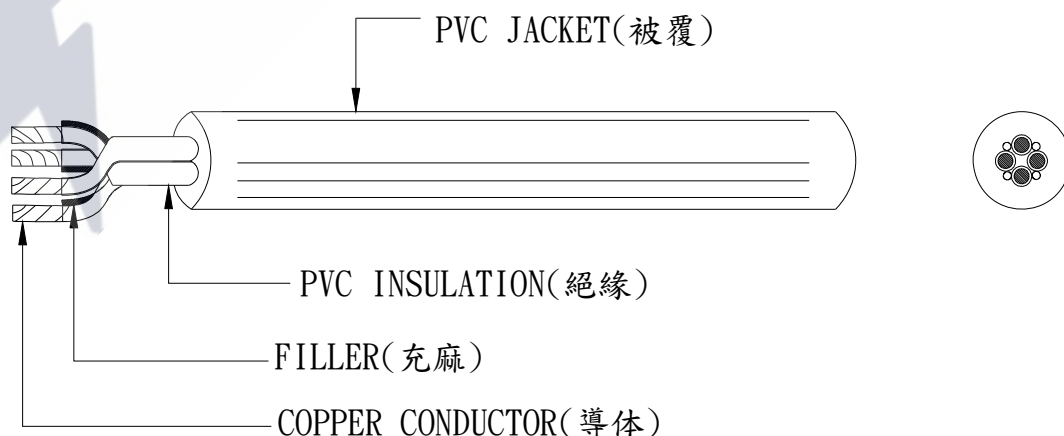
YUNG LI CO., LTD

SPECIFICATION

Yung-Li	Style	PVC FLEXIBLE CORDS	Document No
2010.04.21			
Edition	Size	SOOW 6/4C 90°C	Page
A			2/2

3. Electrical & Physical Properties			
Item		Specification	
Rating Voltage		600V	
Dielectric Strength		AC 4.0KV/1 min No Crack	
Spark Test		10KV/0.15 Sec	
Insulation	Unaged	Tensile Strength	1500 lb/in ² min
		Elongation	100%Min
	Aged	Tensile Strength	Min 85%(121±2°C x168hrs)
		Elongation	Min 65%(121±2°C x168hrs)
	Oil immersion	Tensile Strength	Min 60%(121±2°C x18hrs)
		Elongation	Min 60%(121±2°C x18hrs)
Jacket	Unaged	Tensile Strength	1500 lb/in ² min
		Elongation	100%Min
	Aged	Tensile Strength	Min 85%(121±2°C x168hrs)
		Elongation	Min 45%(121±2°C x168hrs)
	Oil immersion	Tensile Strength	Min 60%(121±2°C x18hrs)
		Elongation	Min 60%(121±2°C x18hrs)
Deformation Test		121±1°C m X 1hr ≤ 50%	
Cold Bend Test		-40°C x 4hr No Crack	
Heat Shock Test		121±1°C x 1hr No Crack	

Graph:



ELBZ7.E152635 - CORD SETS AND POWER-SUPPLY CORDS CERTIFIED FOR CANADA

Cord Sets and Power-supply Cords Certified for Canada

See General Information for Cord Sets and Power-supply Cords Certified for Canada

YUNG LI CO LTD

7F-12 NO 99 SEC 1 XINTAI 5TH RD
XIZHI DISTRICT
NEW TAIPEI, 22175 TAIWAN

Power-supply cords

E152635

Cat. No.	ANSI/NEMA Cord WD6 Config	AWG	Cord Type	Electrical Rating Amps V
YP-11	1-15	18/2	SPT-1, SPT-2, SPT-3, NISPT-2, SVT, SVTO, SJT, SJTW, SJTO, SJTOW (All TPE material), SPT-1, SPT-1W, NISPT-1, SPT-2, SPT-2W, NISPT-2, SPT-3, HPN, SVT, SVTO, SJT, SJTW, SJTO, SJTOW, SV, SVO, SJ, SJO, SJOW, SJOOW, EVT, EVJT, EVE, EVJE	7 or 10/125
		17/2	SVT, SVTO (All TPE material), SVT, SVTO, SV, SVO, SJ, SJO, SJOW, SJOOW, EVT, EVJT, EVE, EVJE	12/125
		16/2	SPT-2, SPT-3, NISPT-2, SVT, SVTO, SJT, SJTW, SJTO, SJTOW (All TPE material), SPT-2, SPT-2W, NISPT-2, SPT-3, SVT, SVTO, SJT, SJTW, SJTO, SJTOW, SV, SVO, SJ, SJO, SJOW, SJOOW, EVT, EVJT, EVE, EVJE	13/125
		16/2	HPN	15/125
		14/2	SPT-3, SJT, SJTW, SJTO, SJTOW (All TPE material), SPT-3, SJT, SJTW, SJTO, SJTOW, SJ, SJO, SJOW, SJOOW, EVT, EVJT, EVE, EVJE	15/125
YP-11W	1-15P	18/2	SPT-1, SPT-2, SPT-3, NISPT-2, SVT, SVTO, SJT, SJTW, SJTO, SJTOW (All TPE material), SPT-1, SPT-1W, NISPT-1, SPT-2, SPT-2W, NISPT-2, SPT-3, HPN, SVT, SVTO, SJT, SJTW, , SJTO, SJTOW, SV, SVO, SJ, SJO, SJOW, SJOOW, EVT, EVJT, EVE, EVJE	7 or 10/125
		17/2	SVT, SVTO (All TPE material), SVT, SVTO, SV, SVO, SJ, SJO, SJOW, SJOOW, EVT, EVJT, EVE, EVJE	12/125
		16/2	SPT-2, SPT-3, NISPT-2, SVT, SVTO, SJT, SJTW, SJTO, SJTOW (All TPE material), SPT-2, SPT-2W, NISPT-2, SPT-3, SVT, SVTO, SJT, SJTW, SJTO, SJTOW, SV, SVO, SJ, SJO, SJOW, SJOOW, EVT, EVJT, EVE, EVJE	13/125
		16/2	HPN	15/125
		14/2	SPT-3, SJT, SJTW, SJTO, SJTOW (All TPE material), SPT-3, SJT, SJTW, SJTO, SJTOW, SJ, SJO, SJOW, SJOOW, EVT, EVJT, EVE, EVJE	15/125

		12/3	SJT, SJTW, SJTO, SJTOW, SJTOOW, ST, STW, STOW, STOOW (All TPE material), SJT, SJTW, SJTO, SJTOW, SJTOOW, SJ, SJO, SJOW, SJOO, SJOOW, ST, STW, STOW, STOOW, S, SO, SOW, SOO, SOOW, EVT, EVJT, EVE, EVJE	15/250
YP-73L	14-30	12/4	SJT, SJTW, SJTO, SJTOW, ST, STW, STOW (All TPE material), SJT, SJTW, SJTO, SJTOW, ST, STW, STOW, SJ, SJO, SJOW, SJOO, SJOOW, SO, SOW, SOOW, EVT, EVJT, EVE, EVJE	20/125/250
		10/4	SJT, SJTW, SJTO, SJTOW, ST, STW, STOW (All TPE material), SJT, SJTW, SJTO, SJTOW, ST, STW, STOW, SJ, SJO, SJOW, SJOO, SJOOW, SO, SOW, SOOW, EVT, EVE	25/125/250
		10/4	DRT (Round)	30/125/250
		8/4	ST, STW, STO, STOW, STOOW (All TPE material), ST, STW, STO, STOW, STOOW, S, SO, SOW, SOO, SOOW, EVT, EVE	30/125/250
YP-75L	14-50	12/4	SJT, SJTW, SJTO, SJTOW, ST, STW, STOW (All TPE material), SJT, SJTW, SJTO, SJTOW, ST, STW, STOW, SJ, SJO, SJOW, SJOO, SJOOW, SO, SOW, SOOW, EVT, EVJT, EVE, EVJE	20/125/250
		10/4	SJT, SJTW, SJTO, SJTOW, ST, STW, STOW (All TPE material), SJT, SJTW, SJTO, SJTOW, ST, STW, STOW, SJ, SJO, SJOW, SJOO, SJOOW, SO, SOW, SOOW, EVT, EVE	25/125/250
		10/4	DRT (Round)	30/125/250
		8/2 + 10/2	DRT (Round)	40/125/250
		6/2 + 8/2	DRT (Round)	50/125/250
		6/4	ST, STW, STO, STOW, STOO, STOOW (All TPE material), ST, STW, STO, STOW, STOO, STOOW, S, SO, SOW, SOO, SOOW	50/125/250
YP-76	L14-20	14/4	SJT, SJTW, SJTO, SJTOW, ST, STW, STOW (All TPE material), SJT, SJTW, SJTO, SJTOW, ST, STW, STOW, SO, SOW, SOOW, EVT, EVJT, EVE, EVJE	18/125/250
		12/4	SJT, SJTW, SJTO, SJTOW, ST, STW, STOW (All TPE material), SJT, SJTW, SJTO, SJTOW, ST, STW, STOW, SO, SOW, SOOW, EVT, EVJT, EVE, EVJE	20/125/250
		10/4	SJT, SJTW, SJTO, SJTOW, ST, STW, STOW (All TPE material), SJT, SJTW, SJTO, SJTOW, ST, STW, STOW, SO, SOW, SOOW, EVT, EVE	20/125/250
YP-52	L6-30	12/3	SJT, SJTW, SJTO, SJTOW, SJTOOW, ST, STW, STOW, STOOW (All TPE material), SJT, SJTO, SJTW, SJTOW, SJTOOW, ST, STW, STOW, STOOW, SJ, SJO, SJOW, SJOO, SJOOW, S, SOO, SO, SOW, SOOW, EVT, EVJT, EVE, EVJE	25/250
		10/3	SJT, SJTW, SJTO, SJTOW, SJTOOW, ST, STW, STOW, STOOW (All TPE material), SJT, SJTO, SJTW, SJTOOW, SJTOW, ST, STW, STOW, STOOW, SJ, SJO, SJOW, SJOO, SJOOW, S, SO, SOW, SOO, SOOW, EVT, EVE	30/250
		8/3	ST, STW, STOW, STOOW (All TPE material), ST, STW, STOW, STOOW, S, SO, SOW, SOO, SOOW, EVT, EVE	30/250

File E152635SP
Project 12CA21651

Issued: October 26, 2012
Revised: November 23, 2015

REPORT

On

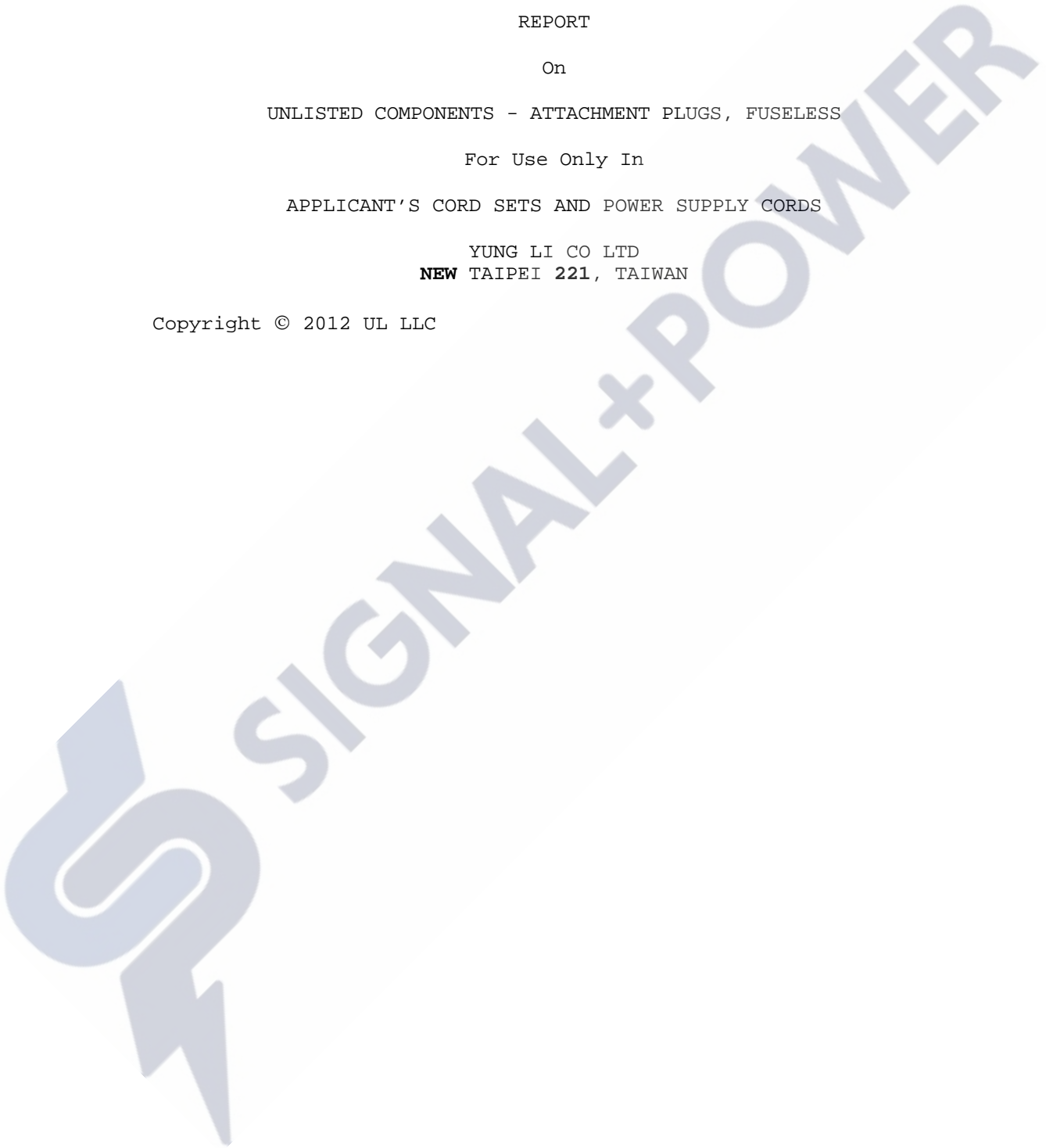
UNLISTED COMPONENTS - ATTACHMENT PLUGS, FUSELESS

For Use Only In

APPLICANT'S CORD SETS AND POWER SUPPLY CORDS

YUNG LI CO LTD
NEW TAIPEI 221, TAIWAN

Copyright © 2012 UL LLC



DESCRIPTION

PRODUCT COVERED:

USU, CNU - Unlisted Component - Cord Connector, Cat. Nos. YC-06R, YC-07, **YC-93L, YC-73L, YC-75L, YC-91L.**

USU - Unlisted Component - Cord Connector, Cat. Nos. YC-05E, YC-05F.

ELECTRICAL RATING:

Cat. No.	AWG/No. of Conductors	Current, A	Voltage, V
YC-06R	14,12,10/5	15,20,20	120/208, 3Ø
YC-07	12,10,8/5	20,25,30	120/208, 3Ø
YC-05E, YC-05F	16,14/3	13,15	125
YC-93L	10,8,6/3	30,40,50	250
YC-73L	12,10,8/4	25,30,30	125/250
YC-75L	10,8,6/4	30,40,50	125/250
YC-91L	14,12,10/3	18,25,30	250

TECHNICAL CONSIDERATIONS (NOT FOR FIELD REPRESENTATIVE'S USE):

For use only in (or with) Applicant's Cord Sets and Power Supply Cords where the acceptability is determined by UL LLC.

USU - Indicates investigation to United States Standard UL 817, Eleventh Edition.

CNU - Indicates investigation to Canadian Standard, CSA C22.2 No. 21-95, Eighth Edition.

Conditions of Acceptability:

1. These devices have been evaluated when molded on the specific conductor size specified in this Procedure.
2. Use with any other type or size cord may require additional evaluation.
3. These fittings shall be used only within their electrical rating.

CAT. NO. YC-75L - FIGS. 8 and 9

General - The general design, shape and arrangement shall be as illustrated except where variations are specifically described. The configuration is identical to NEMA 14-50R. See Sec. Gen. for dimensional details.

Body - Molded of PVC, R/C (QMFZ2/8). Cat. No. CS-9731-WBS, manufactured by CHIA SHIN PLASTIC CO LTD. See ILL. 44 for dimensional details.

Inner Body - Two pieces construction, molded of PA66, R/C (QMFZ2/8). Cat. No. PA66-FR2400, manufactured by SUPER-DRAGON ENGINEERING PLASTICS CO LTD. See ILLS. 45 and 46 for dimensional details.

Line Contact (X) - Copper alloy, plating optional, crimped to conductors with crimping length 6.0 mm. See ILL. 47 for dimensional details.

Neutral Contact/ Line Contact (Y) - Copper alloy, plating optional, crimped to conductors with crimping length 6.0 mm. See ILL. 48 for dimensional details.

Grounding Contact - Copper alloy, plating optional, crimped to conductors with crimping length 5.5 mm. See ILL. 49 for dimensional details.

Strain Relief Clamp - Metal, one provided, clamp on cord. See ILL. 55 for dimensional details.

Cord - Flexible cord, Listed (ZJCZ/7). See the following table for application details.

Cord Size (AWG)	Cord Type	USL	CNL
10/4	S, SO, SOW, SOO, SOOW, ST, STW, STO, STOW, STOO, STOOW	YES	YES
8/4	S, SO, SOW, SOO, SOOW, ST, STW, STO, STOW, STOO, STOOW	YES	YES
6/4	S, SO, SOW, SOO, SOOW, ST, STW, STO, STOW, STOO, STOOW	YES	YES

Marking - See Sec. Gen.

**ZJCZ.E241374**
Flexible Cord[Page Bottom](#)**Flexible Cord**[See General Information for Flexible Cord](#)**YUNG LI CO LTD**

E241374

7F-12 NO 99 SEC 1 XINTAI 5TH RD
XIZHI DISTRICT
NEW TAIPEI, 22175 TAIWAN

Decorative cord, Type(s) SPT-1W, SPT-2W**Dryer and range cord**, Type(s) SRDT**Jacketed cord**, Type(s) S, SE, SE-HF, SJ, SJE, SJE-HF, SJO, SJO, SJOOW, SJOW, SJT, SJT-B, SJTO, SJTOW, SJTW, SO, SOO, SOOW, SOW, ST, ST-B, STO, STOW, STW, SVE, SVE-HF, SVT, SVT-B, SVTO**Parallel cord**, Type(s) NISPE-1, NISPE-1-HF, NISPE-2, NISPE-2-HF, NISPT-1, NISPT-2, SPE-1, SPE-1-HF, SPE-2, SPE-2-HF, SPE-3, SPE-3-HF, SPT-1, SPT-2, SPT-3[Last Updated](#) on 2016-03-07[Questions?](#)[Print this page](#)[Terms of Use](#)[Page Top](#)

◆ 2016 UL LLC

The appearance of a company's name or product in this database does not in itself assure that products so identified have been manufactured under UL's Follow-Up Service. Only those products bearing the UL Mark should be considered to be Certified and covered under UL's Follow-Up Service. Always look for the Mark on the product.

UL permits the reproduction of the material contained in the Online Certification Directory subject to the following conditions: 1. The Guide Information, Assemblies, Constructions, Designs, Systems, and/or Certifications (files) must be presented in their entirety and in a non-misleading manner, without any manipulation of the data (or drawings). 2. The statement "Reprinted from the Online Certifications Directory with permission from UL" must appear adjacent to the extracted material. In addition, the reprinted material must include a copyright notice in the following format: "© 2016 UL LLC".