

# 東莞永力電業有限公司

YUNG LI CO., LTD

Da Pu Industrial Zone, Gang Zi, Changping Town,  
Dong Guan City, Guangdong 523571 China.P.R.C

TEL:0769-83396797~8

FAX:0769-83396796

E-mail: sales@yung-li.com

Description: YP-46/YC-14

Customer: SIGNAL+POWER

Parts No. : P-4614-06B

Draw No. :

## REVISION RECORD

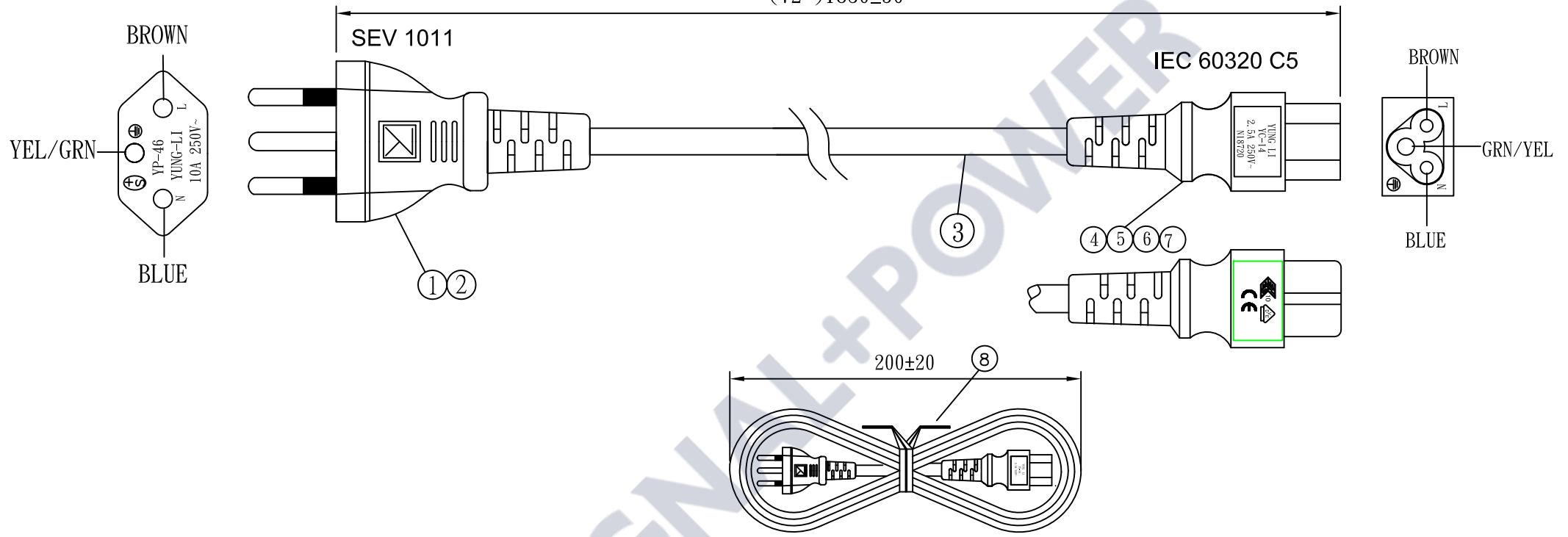
1		
2		
3		
4		
5		

YUNG LI	
CHECKED	PREPARED BY

CUSTOMER	APPROVED

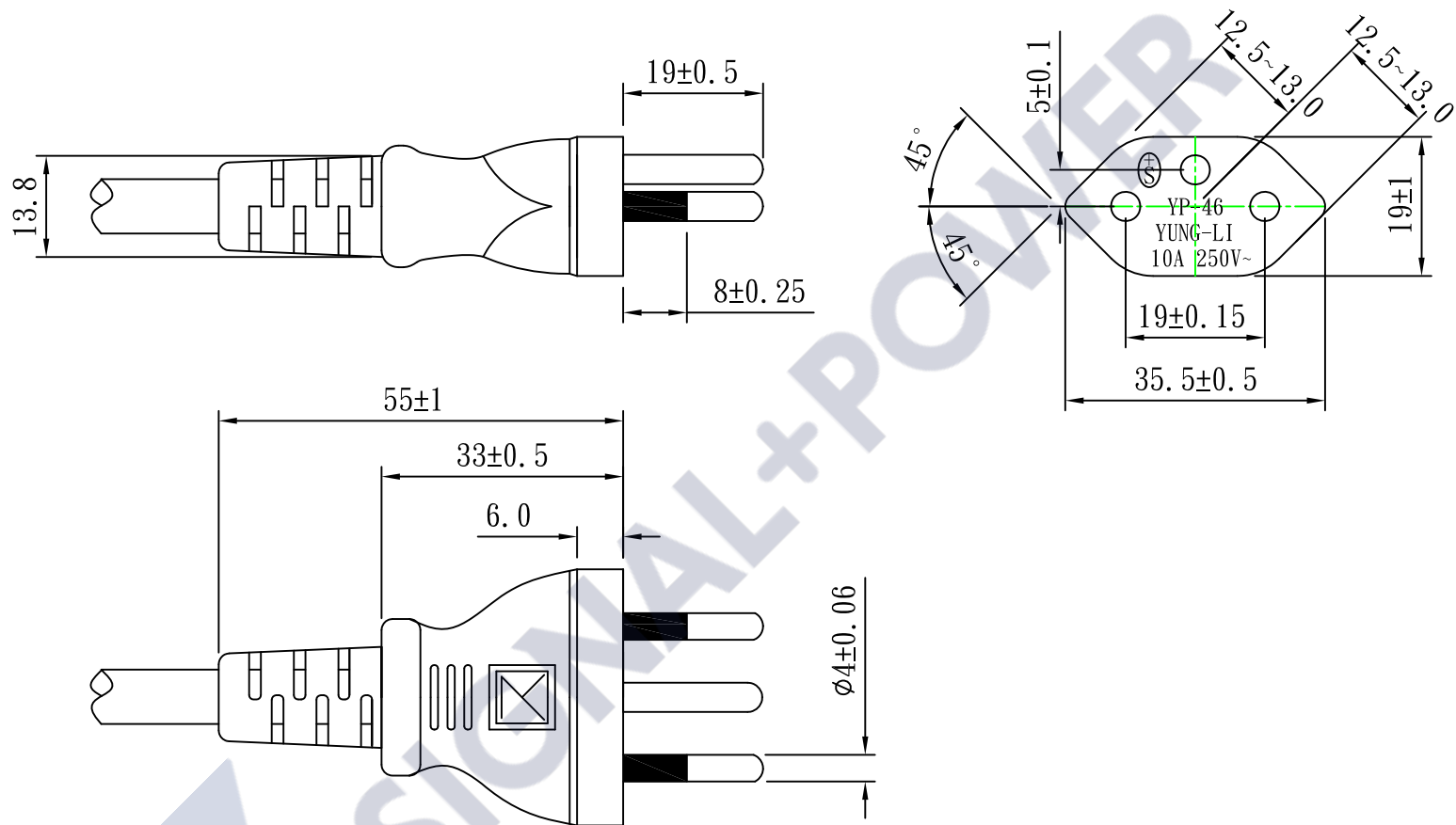


N18720



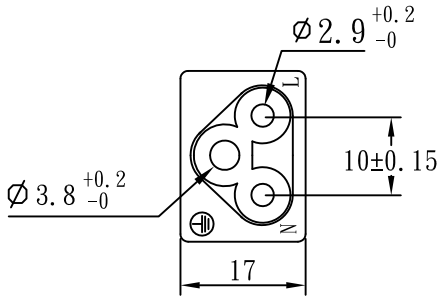
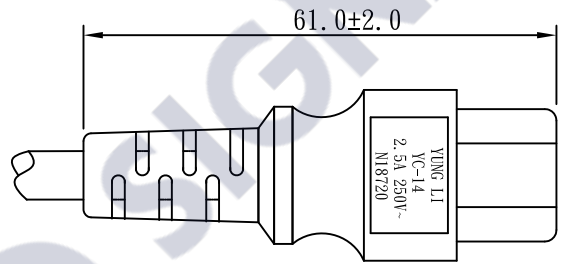
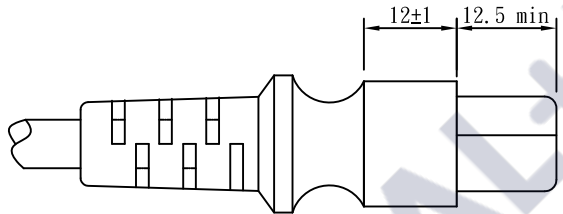
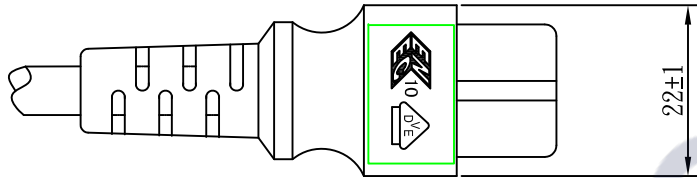
NO.	SPECIFICATION	QTY	REMARK
1	YP-46 PVC PLASTIC:50P BLACK	18g/PC	
2	SWITZERLAND FRAME:P97005P BLACK	1PC	
3	H05VV-F 0.75/3G BLACK	1PC	
4	YC-14 PVC PLASTIC:50P BLACK	18g/PC	
5	TER:98732PS-0	1PC	
6	TER:98714PS-0	2PCS	
7	YC-14 H. S. G BLACK	1PC	
8	MINI TIE:L=130mm BLACK	1PC	

Tolerance >0±0.30 >1.0±0.50 >10.0±1.0 >20.0±2.0 Angle: ±1°	Approved	Date	SIGNAL+POWER				
	Checked	Date					
	Drawn	Date	Customer				
	Cat. No.	YP-46/YC-14		P/N.	P-4614-06B		
	Drawing No.	CY-S0344-01	Rev.	B	Material	P. V. C	Unit
				HEFT(g)			



Tolerance >0±0.30 >1.0±0.50 >10.0±1.0 >20.0±2.0 Angle: ±1°	Approved		Date		<b>YUNG LI CO.,LTD</b>			
	Checked		Date					
	Drawn		Date		Customer			
	Cat. No.	YP-46			P/N.			
	Drawing No.	CY-P46S	Rev.	B	Material	P. V. C	Unit	mm
				Scale				

# IEC 60320 C5



TOLERANCE >0±0.30 >1.0±0.50 >10.0±1.0 >20.0±2.0 Angle: ±1°	APPROVED		DATE		YUNG LI CO., LTD.			
	CHECKED		DATE					
	DRAWN		DATE					
TYPE	YC-14 (ENEC)			P/N				
DRAWING NO	CY-C14VENE			MATERIAL	P.V.C	UNIT	mm	
				SCALE	1:1			

# YUNG LI CO., LTD

## SPECIFICATION

Yung Li	Style	PVC FLEXIBLE CORDS	Document No
2012.7.18			YL-V01001
Edition	Size	<b>H05VV-F 3G 0.75mm<sup>2</sup></b>	Page
A			1/2

1. Standard: IEC 227 IEC228  
 2. Construction & Dimension

	Item	Specification
Conductor	Size	3G 0.75mm <sup>2</sup>
	Material	Annealed Bare Copper
	Construction	24/ § 0.2±0.01
Insulation	Material	PVC
	Minimum Average Thickness	0.60mm
	Minimum Thickness at any point	0.44mm
	Diameter	2.35 ± 0.10
	Identification	Blue,Brown, Yellow/Green
Core Assembly	Core Twist	3-Core
	Filler	NA
	Assembly Pair	NA
Taping	Mylar Foil	NA
Shielded	A1-Mylar Foil	NA
Drain	Material	NA
	Construction	NA
Jacket	Material	PVC
	Minimum Average Thickness	0.8mm
	Minimum Thickness at any point	0.58mm
	Overall Diameter(Approx)	6.7 ± 0.15
	Color	Any Color

### Marking:

Yung Li Co., Ltd. H05VV-F 3G 0.75mm<sup>2</sup> <VDE> NF-USE 1347 (NF) KEMA-KEUR △CEBEC <ÖVE>  
 (D) (FI) (N) (S) (S) IEMMEQU Q04083 (CC) A004049 60227 IEC 53(RVV) 300/500V (C) SU01027-4002

# YUNG LI CO., LTD

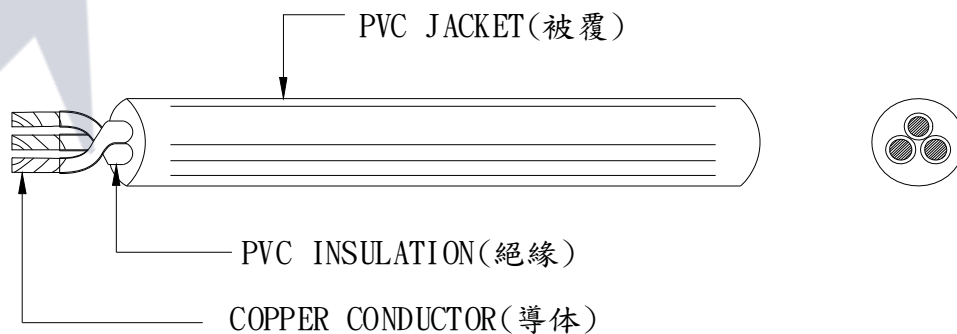
## SPECIFICATION

Yung Li	Style	PVC FLEXIBLE CORDS	Document No
2012.7.18			YL-V01001
Edition	Size	<b>H05VV-F 3G 0.75mm<sup>2</sup></b>	Page
A			2/2

### 4. Electrical & Physical Properties

Item	Specification		
Rating Voltage	70°C 300/500V		
Conductor resistance(AT 20°C)	26.0Ω/Km MAX		
Insulation Resistance(AT 70°C)	0.011MΩ/Km Min		
Dielectric Strength	AC 2.0 KV / 15 min No Break		
Spark Test	6.0KV		
Insulation	Unaged	Tensile Strength	1.02 kgf/mm <sup>2</sup> min
		Elongation	150% Min
	Aged	Tensile Strength	80~120% (80°C x168hrs)
		Elongation	80~120% (80°C x168hrs)
	Loss of mass Test		2.0mg/cm <sup>2</sup> (max)
Jacket	Unaged	Tensile Strength	1.02 kgf/mm <sup>2</sup> min
		Elongation	150% Min
	Aged	Tensile Strength	80~120% (80°C x168hrs)
		Elongation	80~120% (80°C x168hrs)
	Loss of mass Test		2.0mg/cm <sup>2</sup> (max)
Deformation Test		70±2°C X 4hr ≤ 50%	
Cold Bend Test		-15°C x 1hr No Crack	
Heat Shock Test		150±2°C x 1hr No Crack	

### Graph:





**Yung Li Co., Ltd.**  
**Da Pu Industrial Zone**  
**GangZi, ChangPing Town**  
**Dongguan, Guangdong 523571**  
**CHINA**

Client no.  
125389

Your reference  
Luke Lee

Our reference  
Christoph Meile

Date  
15.01.2022

## Authorization

Number: **22.0064**  
valid until: **31.12.2024**

Marking:



Company Logo

Based on the documents contained in file **22-BS-0038**, the Federal Inspectorate for Heavy Current Installations grants the firm named above the right to put the equipment listed below on the market marked with the Swiss safety mark in accordance with the NEV.

Equipment: **Plug, non-rewirable**

Tradename: **YUNG LI**

Type designation **Nominal values**

**YP-46**

250V~ 10A L+N+PE  
CH-type 12, standard sheet 2012-2  
with non-rewirable cords:  
H05V2V2-F 3G 0.75mm<sup>2</sup> [YUNG LI]  
H05V2V2-F 3G 1.00mm<sup>2</sup> [YUNG LI]  
H05V2V2-F 3G 1.50mm<sup>2</sup> [YUNG LI]  
H05VV-F 3G 0.75mm<sup>2</sup> [YUNG LI]  
H05VV-F 3G 1.00mm<sup>2</sup> [YUNG LI]  
H05VV-F 3G 1.50mm<sup>2</sup> [YUNG LI]

Protection class: **for class I equipment**

Protection degree: **IP20**





**Authorization**                      Number: **22.0064**

**Basis:**                                      Test Report / CVC / GJW2021-5771(XG1) / 27.12.2021

**Remark:**

**Test standards:**                      IEC 60884-1(ed.3):2002 + A1:06 + A2:13  
SN 441011-1:2019+corr1:19  
SN 441011-2-1:2019+corr1:19

Federal Inspectorate for Heavy Current Installations ESTI

Peter Fluri  
Head of Market Surveillance/Safety Mark





# VDE Prüf- und Zertifizierungsinstitut

## ZEICHENGENEHMIGUNG MARKS APPROVAL

Yung-Li Co. Ltd.  
Da Pu Industrial Zone  
Chang Ping Town  
523571 DONG GUAN CITY  
Guangdong  
CHINA

ist berechtigt, für ihr Produkt /  
is authorized to use for their product

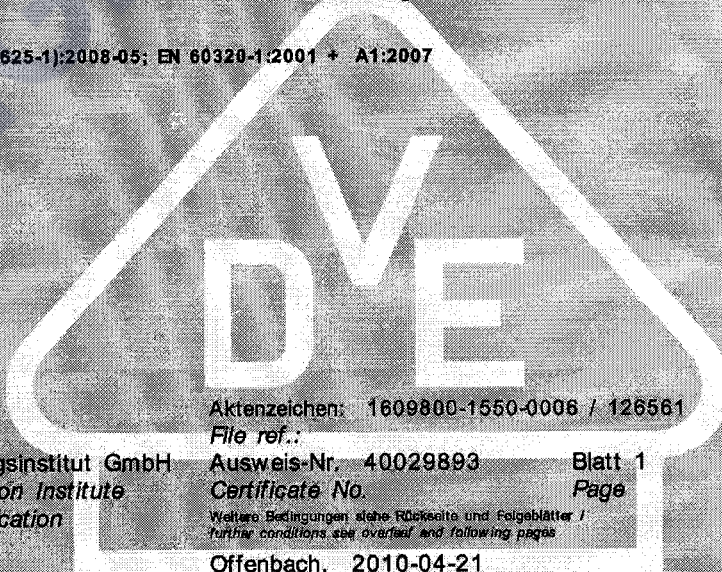
Gerätesteckdose, nicht-wiederanschießbar  
Connector, non-rewirable

die hier abgebildeten markenrechtlich geschützten Zeichen  
für die ab Blatt 2 aufgeführten Typen zu benutzen /  
the legally protected Marks as shown below for the types referred to on page 2 ff.



Geprüft und zertifiziert nach /  
Tested and certified according to

DIN EN 60320-1 (VDE 0625-1):2008-05; EN 60320-1:2001 + A1:2007



VDE Prüf- und Zertifizierungsinstitut GmbH  
VDE Testing and Certification Institute  
Zertifizierungsstelle / Certification

Aktenzeichen: 1609800-1550-0006 / 126561

File ref.:

Ausweis-Nr. 40029893

Blatt 1

Certificate No.

Page

Weitere Bedingungen siehe Rückseite und Folgeblätter /  
further conditions see overleaf and following pages

Offenbach, 2010-04-21

VDE Zertifikate sind nur gültig bei Veröffentlichung unter:  
VDE certificates are valid only when published on:

<http://www.vde.com/zertifikat>  
<http://www.vde.com/certificate>

# VDE





**VDE Prüf- und Zertifizierungsinstitut**  
**Zeichengenehmigung**

Ausweis-Nr. / Blatt /  
Certificate No. page  
40029893 2

Name und Sitz des Genehmigungs-Inhabers / *Name and registered seat of the Certificate holder*  
Yung-Li Co. Ltd., Da Pu Industrial Zone, Chang Ping Town, 523571 DONG GUAN CITY, Guangdong,  
CHINA

Aktenzeichen / *File ref.*  
1609800-1550-0006 / 126561 / FG31 / E

Datum / *Date*  
2010-04-21

Dieses Blatt gilt nur in Verbindung mit Blatt 1 des Zeichengenehmigungsausweises Nr. 40029893.  
*This supplement is only valid in conjunction with page 1 of the Certificate No. 40029893.*

**Gerätesteckdose, nicht-wiederanschließbar**  
**Connector, non-rewirable**

Typ(en) / *Type(s)*:

YC-14  
YC-14L

Bemessungsspannung  
*Rated voltage*

AC 250 V

Bemessungsstrom  
*Rated current*

2,5 A

Polzahl  
*Number of poles*

2-polig mit Schutzkontakt  
*2-pole with earthing contact*

Bauart  
*Kind of construction*

Normblatt C5  
*standard sheet C5*

Anmerkung(en)

Gerätesteckdosen 2,5 A mit Schutzkontakt müssen Teil  
einer Geräteanschlußleitung oder einer  
Weiterverbindungs-Geräteanschlußleitung sein.

*Remark(s)*

*Connectors 2,5 A with earthing contact shall be part of  
a cord set or interconnection cord set*

PAK

Das Produkt entspricht den Anforderungen gemäß PAK-Dokument  
ZEK 01.2-08.

PAH

*The product is in accordance with the requirements of  
PAH-document ZEK 01.2-08.*

Warenzeicheninhaber  
*Trademark holder*

Yung-Li Co. Ltd.

Produktinformation  
*Product information*

siehe Anlage Nr. 300 + 400 + 900  
*see Appendix No. 300 + 400 + 900*

Fortsetzung siehe Blatt 3 /  
*continued on page 3*

VDE Prüf- und Zertifizierungsinstitut GmbH \* Testing and Certification Institute



DEPARTMENT OF FAIR TRADING  
NSW Consumer Protection Agency

Certificate Number: 18720

# CERTIFICATE OF APPROVAL

ISSUED PURSUANT TO SECTION 21C OF THE ELECTRICITY SAFETY ACT 1945

ISSUED TO:

Yung Li Co Ltd

CLASS OF ARTICLE:

Appliance Connector

DESCRIPTION OF ARTICLE:

Appliance Connector  
(Non-rewirable, thermoplastic moulded, straight-entry, C5 appliance connector for cold conditions, for class I equipment, integrally moulded to any <HAR> certified H05VV-F 3G0.75-1mm<sup>2</sup>, or Australian approved three-core 0.75mm<sup>2</sup> or 1.00mm<sup>2</sup>, PVC insulated and sheathed ordinary duty circular flexible cord) 250V, ac, 2.5A

EXAMINED FOR COMPLIANCE WITH: AS/NZS 3109 : 1996 A1

TYPE REFERENCE CODE: Type No. YC-14

APPROVAL MARK:

Each electrical article of the abovementioned type shall be marked with Approval Number N18720

DATE OF APPROVAL: 23 August 2002

This approval expires 23 August 2007 unless suspended, cancelled, renewed or extended.

for DIRECTOR-GENERAL

澳洲

Ref: 18720/1

**RENEWAL OF CERTIFICATE OF APPROVAL 18720**

**PARTICULARS OF RENEWAL**

The approval of the original model no. YC-14 has been renewed for a period of FIVE (5) years.

Date of Renewal: 23 August 2007

The Approval expires on 23 August 2012 unless it is renewed, extended, suspended or cancelled.



for Commissioner for Fair Trading



Fair  
Trading

Ref: NSW18720/2

RENEWAL OF CERTIFICATE OF APPROVAL NSW18720

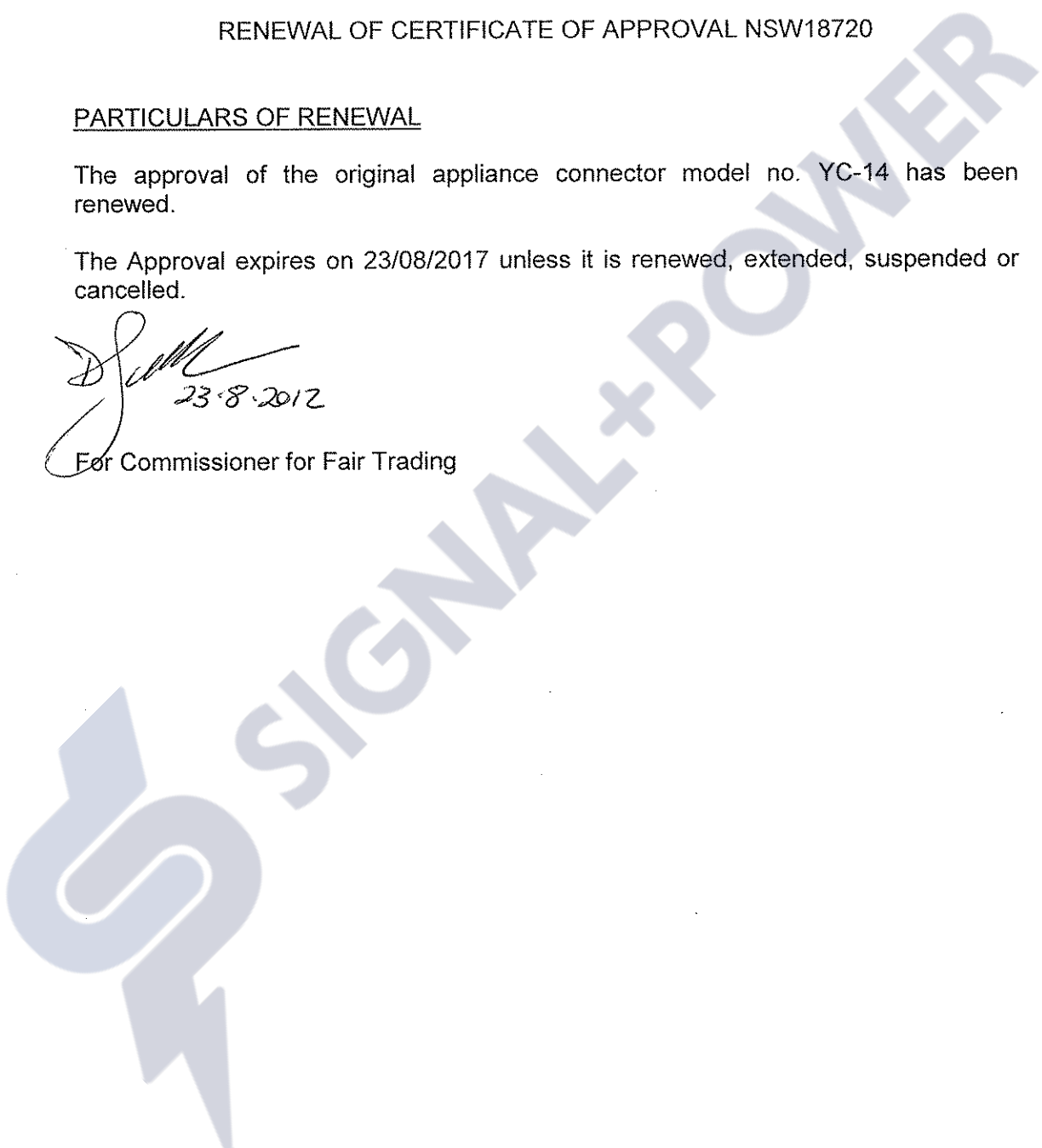
PARTICULARS OF RENEWAL

The approval of the original appliance connector model no. YC-14 has been renewed.

The Approval expires on 23/08/2017 unless it is renewed, extended, suspended or cancelled.

  
23.8.2012

For Commissioner for Fair Trading







Fair  
Trading

Ref: NSW18720/3

## RENEWAL OF CERTIFICATE OF APPROVAL: NSW18720

### Particulars of Renewal

The approval of the original appliance connector model no. YC-14 has been renewed.

The Approval expires on 23/08/2022 unless it is renewed, extended, suspended or cancelled.

  
For Commissioner for Fair Trading



# VDE Prüf- und Zertifizierungsinstitut

## ZEICHENGENEHMIGUNG MARKS APPROVAL

Yung-Li Co. Ltd.  
Da Pu Industrial Zone, Cang Zi  
Chang Ping Town  
523571 DONG GUAN CITY  
Guangdong  
CHINA

ist berechtigt, für ihr Produkt /  
is authorized to use for their product

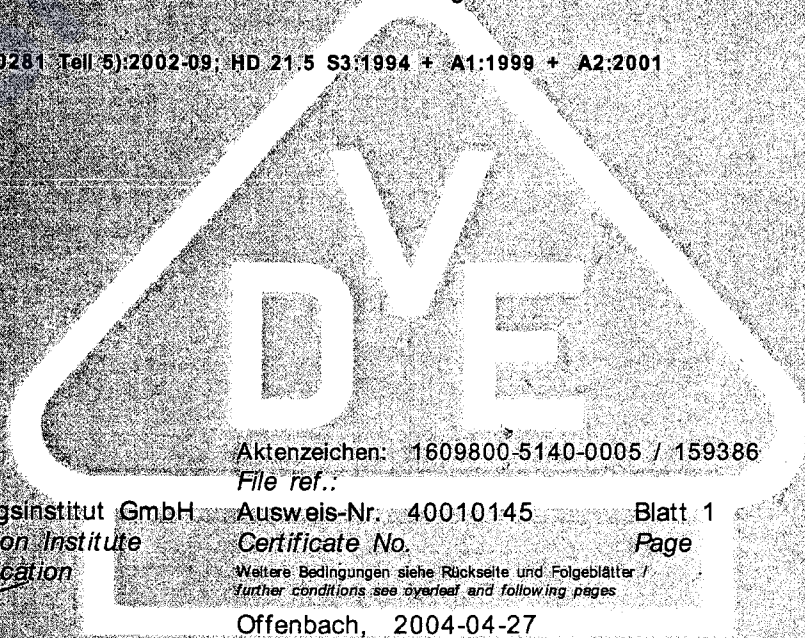
Flexible Leitung  
Flexible cable (cord)

die hier abgebildeten markenrechtlich geschützten Zeichen  
für die ab Blatt 2 aufgeführten Typen zu benutzen /  
the legally protected Marks as shown below for the types referred to on page 2 ff.



Geprüft und zertifiziert nach /  
Tested and certified according to

DIN VDE 0281-5 (VDE 0281 Teil 5):2002-09; HD 21.5 S3:1994 + A1:1999 + A2:2001



Aktenzeichen: 1609800-5140-0005 / 159386  
File ref..

VDE Prüf- und Zertifizierungsinstitut GmbH  
VDE Testing and Certification Institute  
Zertifizierungsstelle / Certification

Ausweis-Nr. 40010145 Blatt 1  
Certificate No. Page

Weitere Bedingungen siehe Rückseite und Folgeblätter /  
further conditions see overleaf and following pages

Offenbach, 2004-04-27  
(letzte Änderung/updated 2012-03-27 )

K. Prohaska

VDE Zertifikate sind nur gültig bei Veröffentlichung unter:  
VDE certificates are valid only when published on:

<http://www.vde.com/zertifikat>  
<http://www.vde.com/certificate>



# VDE Prüf- und Zertifizierungsinstitut Zeichengenehmigung

Ausweis-Nr. / Blatt /  
Certificate No. page  
40010145 2

Name und Sitz des Genehmigungs-Inhabers / *Name and registered seat of the Certificate holder*  
Yung-Li Co. Ltd., Da Pu Industrial Zone, Cang Zi, Chang Ping Town, 523571 DONG GUAN CITY,  
Guangdong, CHINA

Aktenzeichen / *File ref.*  
1609800-5140-0005 / 159386 / FG42 / STR

letzte Änderung / *updated* Datum / *Date*  
2012-03-27 2004-04-27

Dieses Blatt gilt nur in Verbindung mit Blatt 1 des Zeichengenehmigungsausweises Nr. 40010145  
*This supplement is only valid in conjunction with page 1 of the Certificate No. 40010145.*

## Flexible Leitung *Flexible cable (cord)*

Typ(en) / *Type(s)*:

H03VV-F 2...4 x 0,5...0,75 mm <sup>2</sup>	+
H03VVH2-F 2 x 0,5...0,75 mm <sup>2</sup>	+
H05VV-F 2...5 x 0,75...4 mm <sup>2</sup>	+
H05VVH2-F 2 x 0,75...1,0 mm <sup>2</sup>	+

Firmenzeichen  
*Trademark*

YUNG LI

Dieser Zeichengenehmigungs-Ausweis bildet eine Grundlage für die EG-Konformitätserklärung und CE-Kennzeichnung durch den Hersteller oder dessen Bevollmächtigten und bescheinigt die Konformität mit den grundlegenden Schutzanforderungen der **EG-Niederspannungsrichtlinie 2006/95/EG** mit ihren Änderungen.

*This Marks Approval is a basis for the EC Declaration of Conformity and the CE Marking by the manufacturer or his agent and proves the conformity with the essential safety requirements of the EC Low-Voltage Directive 2006/95/EC including amendments.*

VDE Prüf- und Zertifizierungsinstitut GmbH  
*VDE Testing and Certification Institute*  
Fachgebiet FG42  
*Section FG42*