

東莞永力電業有限公司

YUNG LI CO., LTD

Da Pu Industrial Zone, Gang Zi, Changping Town,
Dong Guan City, Guangdong 523571 China.P.R.C

TEL:0769-83396797~8

FAX:0769-83396796

E-mail: sales@yung-li.com

Description: YP-33/YC-25

Customer: SIGNAL+POWER

Parts No. : P-3325-10B

Draw No. :

REVISION RECORD

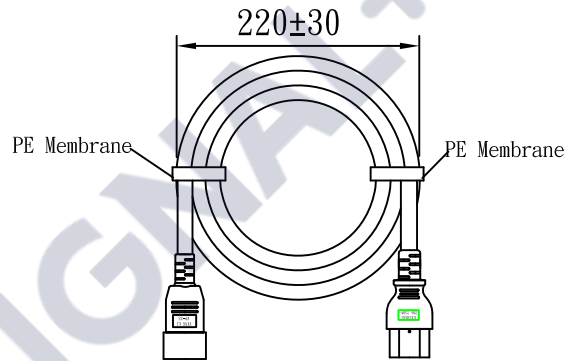
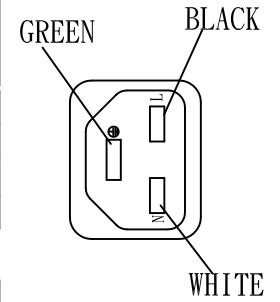
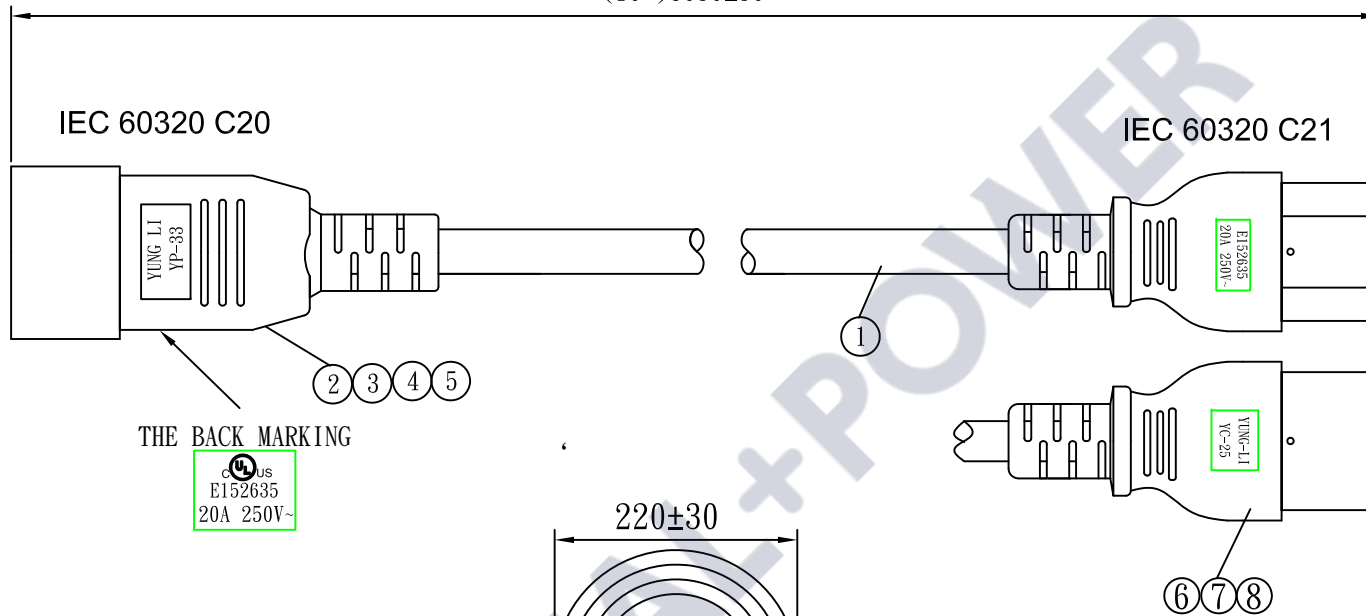
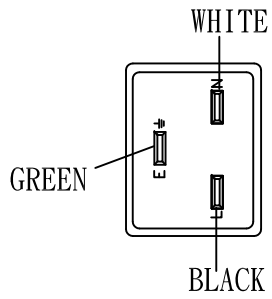
1		
2		
3		
4		
5		

YUNG LI	
CHECKED	PREPARED BY

CUSTOMER	APPROVED



(10')3050±50

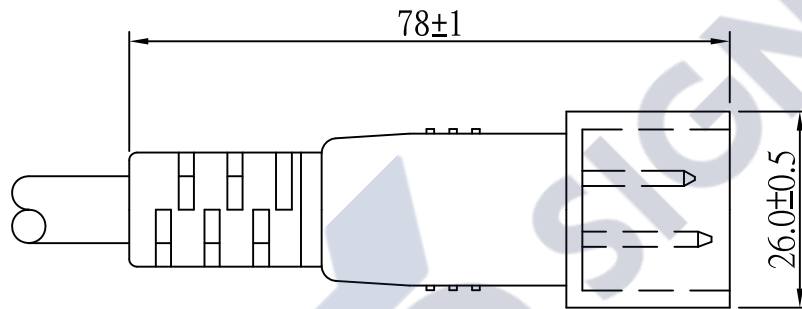
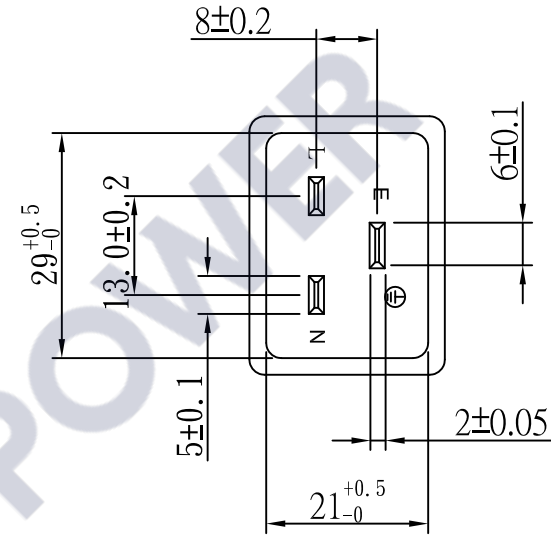
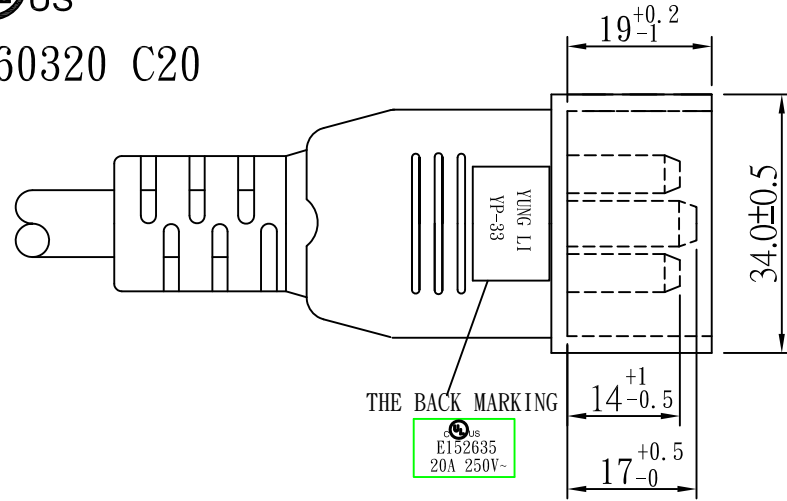


NO.	SPECIFICATION	QTY	REMARK
1	SJT 12/3C 105°C BLACK	1PC	
2	TER:97606BS-1	2PCS	
3	TER:97607BS-1	1PC	
4	YP-33 INNER BODY	1PC	
5	YP-33 PVC PLASTIC:35P BLACK	32g/PC	
6	YC-25 PVC PLASTIC 35P BLACK	18g/PC	
7	YC-25 TER	3PCS	
8	YC-25 INNER BODY	1PC	

Tolerance	Approved	Date	SIGNAL+POWER			
	>0±0.30	Checked	Date			
>1.0±0.50	Drawn	Date	Customer			
>10.0±1.0	Cat. No.	YP-33/YC-25		P/N.	P-3325-10B	
>20.0±2.0	Drawing No.	Rev.	B	Material	P. V. C	Unit mm
Angle: ±1°				Scale		



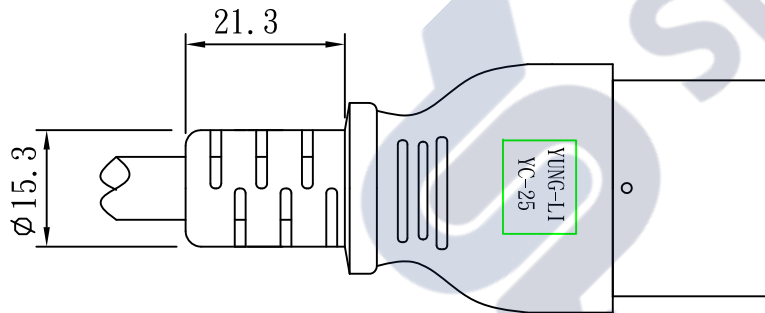
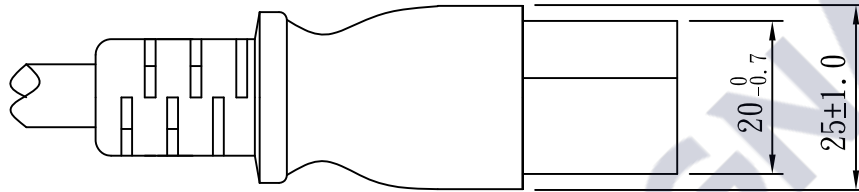
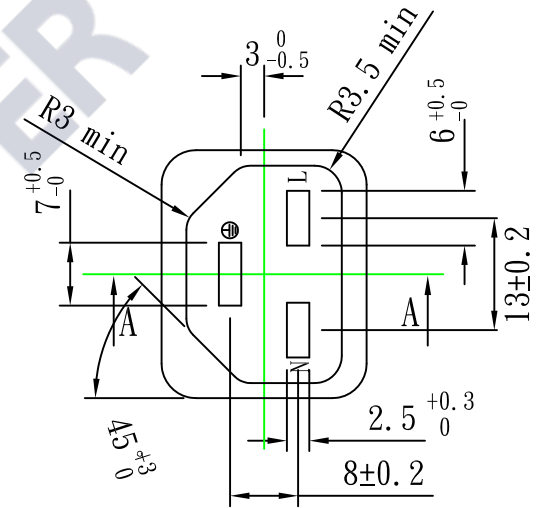
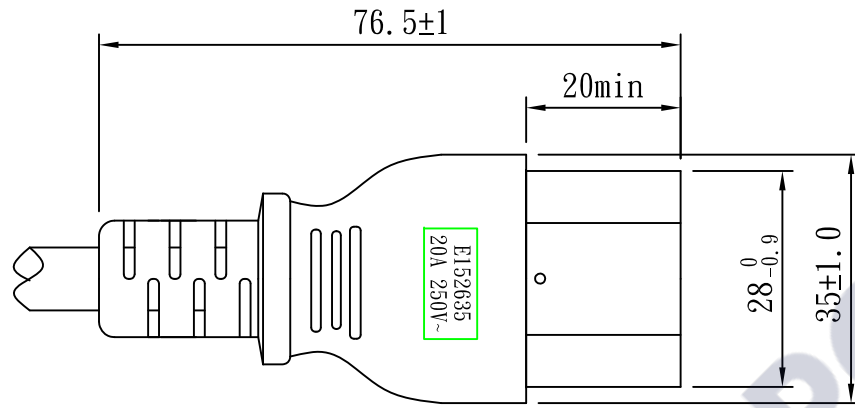
IEC 60320 C20



TOLERANCE >0±0.30 >1.0±0.50 >10.0±1.0 >20.0±2.0 Angle: ±1°	APPROVED		DATE		YUNG LI CO., LTD			
	CHECKED		DATE					
	DRAWN		DATE		CUSTOMER			
	TYPE	YP-33			P/N			
	DRAWING NO.		REV	B	MATERIAL	P. V. C	UNIT	mm
				SCALE	1:1			



IEC 60320 C21



TOLERANCE >0±0.30 >1.0±0.50 >10.0±1.0 >20.0±2.0 Angle: ±1°	APPROVED		DATE		YUNG LI CO., LTD			
	CHECKED		DATE					
	DRAWN		DATE		CUSTOMER			
	TYPE	YC-25			P/N			
	DRAWING NO.		REV	B	MATERIAL	P. V. C	UNIT	mm
				SCALE	1:1			

YUNG LI CO., LTD

SPECIFICATION

Yung-Li	Style	PVC FLEXIBLE CORDS	Document No
2007.8.02			
Edition	Size	SJT 12/ 3C 105	Page
A			1/2

1. Standard : UL 62 UL 1581

2. Construction & Dimension

	Item	Specification
Conductor	Size	12AWG X 3C
	Material	Annealed Bare Copper
	Construction	65/ 0.254±0.003
Insulation	Material	PVC
	Minimum Average Thickness	0.76mm
	Minimum Thickness at any point	0.69mm
	Diameter	4.0 ± 0.10
	Identification	Black White Green
Core Assembly	Core Twist	3-Core
	Filler	Cotton 18000D
	Assembly Pair	NA
Taping	Mylar Foil	NA
Shielded	A1-Mylar Foil	NA
Drain Wire	Material	NA
	Construction	NA
Jacket	Material	PVC
	Minimum Average Thickness	1.14mm
	Minimum Thickness at any point	0.91mm
	Overall Diameter(Approx)	11.2± 0.2
	Color	Any Color

Marking :

YUNG LI (UL) E241374 SJT 3/C 12AWG(3.31mm²) 105 300V VW-1
 CSA 177323 SJT 3/C 12AWG(3.31mm²) 105 300V FT2

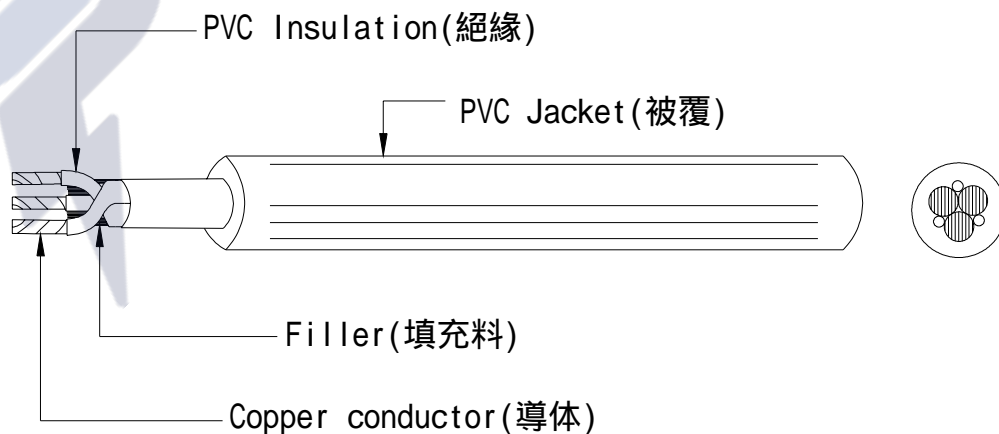
YUNG LI CO., LTD

SPECIFICATION

Yung-Li	Style	PVC FLEXIBLE CORDS	Document No
2007.8.02			
Edition	Size	SJT 12/ 3C 105	Page
A			2/2

3. Electrical & Physical Properties			
Item		Specification	
Rating Voltage		300V	
Insulation Resistance		0.76MΩ/Km 15.0 Min	
Dielectric Strength		AC 2.0KV/1 min No Crack	
Spark Test		6.0KV/0.15 Sec	
Insulation	Unaged	Tensile Strength	1500 lbs/in ² min
		Elongation	100% Min
	Aged	Tensile Strength	Min 85%(136±1 x168hrs)
		Elongation	Min 65%(136±1 x168hrs)
Jacket	Unaged	Tensile Strength	1500 lbs/in ² min
		Elongation	100% Min
	Aged	Tensile Strength	Min 85%(136±1 x168hrs)
		Elongation	Min 45%(136±1 x168hrs)
Deformation Test		121±1 m X 1hr 50%	
Cold Bend Test		-20 x 4hr No Crack	
Heat Shock Test		121±1 x 1hr No Crack	

Graph:





ELBZ7.E152635
Cord Sets and Power-supply Cords Certified for Canada

Page Bottom

Cord Sets and Power-supply Cords Certified for Canada

See General Information for Cord Sets and Power-supply Cords Certified for Canada

YUNG LI CO LTD

E152635

1ST FL
 10 LANE 235 PAO-CHIAO RD
 HSIN-TIEN, TAIPEI HSIEN 231 TAIWAN

Power-supply cords

Cat. No.	ANSI/NEMA WD6 Config	Cord AWG	Cord Type	Electrical Rating Amps V
YP-11	1-15	18/2	SPT-1, SPT-1W, NISPT-1, SPT-2, SPT-2W, NISPT-2, SPT-3, HPN, SVT, SVTO, SJT, SJTW, SJTO, SJTOW, SV, SVO, SJ, SJO, SJOW, SJOOW, EVT, EVJT	10/125
		17/2	SVT, SVTO, SV, SVO, SJ, SJO, SJOW, SJOOW, EVT, EVJT	12/125
		16/2	SPT-2, SPT-2W, NISPT-2, SPT-3, SVT, SVTO, SJT, SJTW, SJTO, SJTOW, SV, SVO, SJ, SJO, SJOW, SJOOW, EVT, EVJT	13/125
		16/2	HPN	15/125
		14/2	SPT-3, SJT, SJTW, SJTO, SJTOW, SJ, SJO, SJOW, SJOOW, EVT, EVJT	15/125
YP-11W	1-15P	18/2	SPT-1, SPT-1W, NISPT-1, SPT-2, SPT-2W, NISPT-2, SPT-3, HPN, SVT, SVTO, SJT, SJTW, SJTO, SJTOW, SV, SVO, SJ, SJO, SJOW, SJOOW, EVT, EVJT	10/125
		17/2	SVT, SVTO, SV, SVO, SJ, SJO, SJOW, SJOOW, EVT, EVJT	12/125
		16/2	SPT-2, SPT-2W, NISPT-2, SPT-3, SVT, SVTO, SJT, SJTW, SJTO, SJTOW, SV, SVO, SJ, SJO, SJOW, SJOOW, EVT, EVJT	13/125
		16/2	HPN	15/125
		14/2	SPT-3, SJT, SJTW, SJTO, SJTOW, SJ, SJO, SJOW, SJOOW, EVT, EVJT	15/125
YP-11C	1-15	18/2	NISPT-1, NISPT-2, EVT, EVJT	10/125
YP-12	5-15	18/3	SVT, SVT Shielded, SVTO, SJT, SJT Shielded, SJTW, SJTW Shielded, SJTO, SJTO Shielded, SJTOW, SJTOW Shielded, ST, ST Shielded, STW, STW Shielded, STOW, STOW Shielded, SV, SVO, SJ, SJ Shielded, SJO, SJO Shielded, SJO, SJO Shielded, SJO, SJO Shielded, SJOOW, SJOOW Shielded, S, SO, SO Shielded, SOO, SOO Shielded, SOW, SOW Shielded, SOOW, SOOW Shielded, SPT-2, SPT-3, EVT, EVJT	10/125
		17/3	SVT, SVTO, SV, SVO, EVT, EVJT	12/125
		16/3	SVT, SVT Shielded, SVTO, SJT, SJT Shielded, SJTW, SJTW Shielded, SJTO, SJTO Shielded, SJTOW, SJTOW Shielded, ST, ST Shielded, STW,	13/125

			EVT, EVJT	
		12/3	SJT, SJTW, SJTO, SJTOW, ST, STW, STOW, SJ, SJO, SJOW, SJOOW, S, SO, SOW, SOOW, SPT-3SPT-3, S, SJ, SJO, SJOW, SJOOW, EVT, EVJT	15/250
YL-915	5-15	18/3	SJT, SJTW, SVT	10/125
		16/3	SJT, SJTW	13/125
		14/3	SJT, SJTW	15/125
YL-921B	1-15	18/2	SPT-1, SPT-2, NISPT-1, NISPT-2, SVT, SJT, SJTW, SJTO, SJTOW, SJ, SJO, SJOW, SJOOW	10/125
		16/2	SPT-2, NISPT-2, SVT, SJT, SJTW, SJTO, SJTOW, SJ, SJO, SJOW, SJOOW	13/125
YP-19L	6-15	18/3	SJT, SJTW, SJTO, SJTOW, ST, STW, STOW, SO, SOW, SOOW, EVT, EVJT	10/250
		16/3	SJT, SJTW, SJTO, SJTOW, ST, STW, STOW, SO, SOW, SOOW, EVT, EVJT	13/250
		14/3	SJT, SJTW, SJTO, SJTOW, ST, STW, STOW, SO, SOW, SOOW, SPT-3, EVT, EVJT	15/250
		12/3	SJT, SJTW, SJTO, SJTOW, ST, STW, STOW, SO, SOW, SOOW, SPT-3, EVT, EVJT	15/250
YP-31	IEC C8	18/2	SVT, SVTO, SJT, SJTW, SJTO, SJTOW, SV, SVO, SJ, SJO, SJOW, SJOOW, SPT-1, SPT-1W, SPT-2, SPT-2W, NISPT-1, NISPT-2, EVT, EVJT	10/125 or 250, 7/125, 2.5/250
YP-32, YP-32L	IEC C14	18/3	SVT, SJT, SJTW, SJTO, SJTOW, ST, STW, STOW, SJ, SJO, SJOW, SJOOW, SO, SOO, SOW, SOOW (Shielded or Non-shielded for all types), EVT, EVJT	10/125 or 250
		17/3	SVT, SJT, SJTW, SJTO, SJTOW, ST, STW, STOW, SJ, SJO, SJOW, SJOOW, SO, SOO, SOW, SOOW (Shielded or Non-shielded for all types), EVT, EVJT	10, 12/125 or 250
		16/3	SJT, SJTW, SJTO, SJTOW, ST, STW, STOW, SJ, SJO, SJOW, SJOOW, SO, SOO, SOW, SOOW (Shielded or Non-shielded for all types), EVT, EVJT	13/125 or 250
		15/3	SJT, SJTW, SJTO, SJTOW, ST, STW, STOW, SJ, SJO, SJOW, SJOOW, SO, SOO, SOW, SOOW (Shielded or Non-shielded for all types), EVT, EVJT	14/125 or 250
		14/3	SJT, SJTW, SJTO, SJTOW, ST, STW, STOW, SJ, SJO, SJOW, SJOOW, SO, SOO, SOW, SOOW (Shielded or Non-shielded for all types), EVT, EVJT	15/125 or 250
YP-12D	5-15	18/3	SVT, SJT, SPT Shielded, SJTW, SJTO, SJTOW	10/125
		16/3	SVT, SJT, SPT Shielded, SJTW, SJTO, SJTOW	13/125
		14/3	SVT, SJT, SPT Shielded, SJTW, SJTO, SJTOW	15/125
YP-32A	IEC C14	18/3	SVT, SJT, SPT Shielded, SJTW, SJTO, SJTOW, EVT, EVJT	10/250
		16/3	SVT, SJT, SPT Shielded, SJTW, SJTO, SJTOW, EVT, EVJT	13/250
		14/3	SJT, SPT Shielded, SJTW, SJTO, SJTOW, EVT, EVJT	15/250
YP-33	IEC C20	18/3	SJT, SJTW, SJTO, SJTOO, SJTOW, SJTOOW, SJ, SJO, SJOW, SJOOW, ST, STW, STOW, STOOW, S, SO, SOW, SOO, SOOW (Shielded or Non-shielded for all types), EVT, EVJT	10/125 or 250
		17/3	SJT, SJTW, SJTO, SJTOO, SJTOW, SJTOOW, SJ, SJO, SJOW, SJOOW, ST, STW, STOW, STOOW, S, SO, SOW, SOO, SOOW (Shielded or	12/125 or 250

			Non-shielded for all types), EVT, EVJT	
		16/3	SJT, SJTW, SJTO, SJTOO, SJTOW, SJTOOW, SJ, SJO, SJOO, SJOW, SJOOW, ST, STW, STOW, STOOW, S, SO, SOW, SOO, SOOW (Shielded or Non-shielded for all types), EVT, EVJT	13/125 or 250
		15/3	SJT, SJTW, SJTO, SJTOO, SJTOW, SJTOOW, SJ, SJO, SJOO, SJOW, SJOOW, ST, STW, STOW, STOOW, S, SO, SOW, SOO, SOOW (Shielded or Non-shielded for all types), EVT, EVJT	16/125 or 250
		14/3	SJT, SJTW, SJTO, SJTOO, SJTOW, SJTOOW, SJ, SJO, SJOO, SJOW, SJOOW, ST, STW, STOW, STOOW, S, SO, SOW, SOO, SOOW (Shielded or Non-shielded for all types), EVT, EVJT	15, 16/125 or 250
		12/3	SJT, SJTW, SJTO, SJTOO, SJTOW, SJTOOW, SJ, SJO, SJOO, SJOW, SJOOW, ST, STW, STOW, STOOW, S, SO, SOW, SOO, SOOW (Shielded or Non-shielded for all types), EVT, EVJT	20/125 or 250
YP-33L	IEC C20	18/3	SJT, SJTW, SJTO, SJTOW, SJTOOW, SJ, SJO, SJOO, SJOW, SJOOW, ST, STW, STOW, STOOW, S, SO, SOW, SOO, SOOW, EVT, EVJT	10/125 or 250
		17/3	SJT, SJTW, SJTO, SJTOW, SJTOOW, SJ, SJO, SJOO, SJOW, SJOOW, ST, STW, STOW, STOOW, S, SO, SOW, SOO, SOOW, EVT, EVJT	12/125 or 250
		16/3	SJT, SJTW, SJTO, SJTOW, SJTOOW, SJ, SJO, SJOO, SJOW, SJOOW, ST, STW, STOW, STOOW, S, SO, SOW, SOO, SOOW, EVT, EVJT	13/125 or 250
		15/3	SJT, SJTW, SJTO, SJTOW, SJTOOW, SJ, SJO, SJOO, SJOW, SJOOW, ST, STW, STOW, STOOW, S, SO, SOW, SOO, SOOW, EVT, EVJT	16/125 or 250
		14/3	SJT, SJTW, SJTO, SJTOW, SJTOOW, SJ, SJO, SJOO, SJOW, SJOOW, ST, STW, STOW, STOOW, S, SO, SOW, SOO, SOOW, EVT, EVJT	15, 16/125 or 250
		12/3	SJT, SJTW, SJTO, SJTOW, SJTOOW, SJ, SJO, SJOO, SJOW, SJOOW, ST, STW, STOW, STOOW, S, SO, SOW, SOO, SOOW, EVT, EVJT	20/125 or 250
YP-34	IEC C6	18/3	SVT, SJT, SJTW, EVT, EVJT	10/125 or 250, 7/125, 2.5/250
		17/3	SVT, SJT, SJTW, EVT, EVJT	12/125 or 250
		16/3	SJT, SJTW, EVT, EVJT	13/125 or 250
YP-56	L5-20	18/3	SJT, SJTW, SJTO, SJTOW, ST, STW, STOW, SO, SOW, SOOW, SVT, EVT, EVJT	10/125
		16/3	SJT, SJTW, SJTO, SJTOW, ST, STW, STOW, SO, SOW, SOOW, EVT, EVJT	13/125
		14/3	SJT, SJTW, SJTO, SJTOW, ST, STW, STOW, SO, SOW, SOOW, EVT, EVJT	18/125
		12/3	SJT, SJTW, SJTO, SJTOW, ST, STW, STOW, SO, SOW, SOOW, EVT, EVJT	20/125
		10/3	SJT, SJTW, SJTO, SJTOW, ST, STW, STOW, SO, SOW, SOOW, EVT	20/125
YP-58	L5-15	18/3	SJT, SJTW, SJTO, SJTOW, ST, STW, STOW, SJ, SJO, SJOW, SJOO, SJOOW, S, SO, SOW, SOOW, SVT, EVT, EVJT	10/125
		16/3	SJT, SJTW, SJTO, SJTOW, ST, STW, STOW, SJ, SJO, SJOW, SJOO, SJOOW, S, SO, SOW, SOOW, EVT, EVJT	13/125
		14/3	SJT, SJTW, SJTO, SJTOW, ST, STW, STOW, SJ,	15/125

YC-13C	IEC C7	18	NISPT-1, NISPT-2	2.5/250 or 10/125
YC-14L, YC-14L-1, YC-14L-2, YC-14L-3	IEC C5	18	SVT, SJJ, SPT-2	2.5/250 or 7/125 or 10/125
YC-18	IEC C19	16	SJJ, SJJW, SJJT, SJJOW, SJJTOOW, SJJ, SJJ, SJJ, SJJ, SJJW, SJJOW, ST, STW, STOW, STOOW, S, SO, SOW, SOO, SOOW, SPT-3	13/125 or 250
		15	SJJ, SJJW, SJJT, SJJOW, SJJTOOW, SJJ, SJJ, SJJ, SJJ, SJJW, SJJOW, ST, STW, STOW, STOOW, S, SO, SOW, SOO, SOOW, SPT-3	16/125 or 250
		14	SJJ, SJJW, SJJT, SJJOW, SJJTOOW, SJJ, SJJ, SJJ, SJJ, SJJW, SJJOW, ST, STW, STOW, STOOW, S, SO, SOW, SOO, SOOW, SPT-3	16/125 or 250
		12	SJJ, SJJW, SJJT, SJJOW, SJJTOOW, SJJ, SJJ, SJJ, SJJ, SJJW, SJJOW, ST, STW, STOW, STOOW, S, SO, SOW, SOO, SOOW, SPT-3	20/125 or 250 V ac
YC-18L	IEC C19	16	SJJ, SJJW, SJJT, SJJOW, SJJTOOW, SJJ, SJJ, SJJ, SJJ, SJJW, SJJOW, ST, STW, STOW, STOOW, S, SO, SOW, SOO, SOOW, SPT-3	13/125 or 250 V ac
		15	SJJ, SJJW, SJJT, SJJOW, SJJTOOW, SJJ, SJJ, SJJ, SJJ, SJJW, SJJOW, ST, STW, STOW, STOOW, S, SO, SOW, SOO, SOOW, SPT-3	250 V ac
		14	SJJ, SJJW, SJJT, SJJOW, SJJTOOW, SJJ, SJJ, SJJ, SJJ, SJJW, SJJOW, ST, STW, STOW, STOOW, S, SO, SOW, SOO, SOOW, SPT-3	16/125 or 250 V ac
		12	SJJ, SJJW, SJJT, SJJOW, SJJTOOW, SJJ, SJJ, SJJ, SJJ, SJJW, SJJOW, ST, STW, STOW, STOOW, S, SO, SOW, SOO, SOOW, SPT-3	20/125 or 250 V ac
YC-20	IEC C15	18	SVT, SJJ, SJJW, SJJT, SJJOW, ST, STW, STOW, SO, SOW, SOOW, SPT-3	10/125 or 250
		17	SVT, SJJ, SJJW, SJJT, SJJOW, ST, STW, STOW, SO, SOW, SOOW, SPT-3	12/125 or 250
		16	SJJ, SJJW, SJJT, SJJOW, ST, STW, STOW, SO, SOW, SOOW, SPT-3	13/125 or 250
		15	SJJ, SJJW, SJJT, SJJOW, ST, STW, STOW, SO, SOW, SOOW, SPT-3	14/125 or 250
		14	SJJ, SJJW, SJJT, SJJOW, ST, STW, STOW, SO, SOW, SOOW, SPT-3	15/125 or 250
YC-25	IEC C21	16	SJJ, SJJW, SJJT, SJJOW, SJJTOOW, SJJ, SJJ, SJJ, SJJ, SJJW, SJJOW, ST, STW, STOW, STOOW, S, SO, SOW, SOO, SOOW, SPT-3	13/125 or 250
		15	SJJ, SJJW, SJJT, SJJOW, SJJTOOW, SJJ, SJJ, SJJ, SJJ, SJJW, SJJOW, ST, STW, STOW, STOOW, S, SO, SOW, SOO, SOOW, SPT-3	16/125 or 250
		14	SJJ, SJJW, SJJT, SJJOW, SJJTOOW, SJJ, SJJ, SJJ, SJJ, SJJW, SJJOW, ST, STW, STOW, STOOW, S, SO, SOW, SOO, SOOW, SPT-3	16/125 or 250
		12	SJJ, SJJW, SJJT, SJJOW, SJJTOOW, SJJ, SJJ, SJJ, SJJ, SJJW, SJJOW, ST, STW, STOW, STOOW, S, SO, SOW, SOO, SOOW, SPT-3	20/125 or 250
YC-25L	IEC C21	16	SJJ, SJJW, SJJT, SJJOW, SJJTOOW, SJJ, SJJ, SJJ, SJJ, SJJW, SJJOW, ST, STW, STOW, STOOW, S, SO, SOW, SOO, SOOW, SPT-3	13/125 or 250 V ac
		15	SJJ, SJJW, SJJT, SJJOW, SJJTOOW, SJJ, SJJ, SJJ, SJJ, SJJW, SJJOW, ST, STW, STOW, STOOW, S, SO, SOW, SOO, SOOW, SPT-3	16/125 or 250 V ac

**ZJCZ.E241374
Flexible Cord**[Page Bottom](#)

Flexible Cord[See General Information for Flexible Cord](#)**YUNG LI CO LTD**

E241374

1ST FL

10 LANE 235 PAO-CHIAO RD

HSIN-TIEN, TAIPEI HSIEN 231 TAIWAN

Jacketed cords, Type SJTW, STW, SJTO, SJTOW, STO, STOW, SJ, S, SJO, SO, SVT, SVTO, SJT, ST, SJOW, SJOOW, SOW, SOOW, SJOO, SOO.

Parallel cords, Type SPT-1, SPT-2, SPT-3, SPT-1W, SPT-2W, NISPT-1, NISPT-2.

Rang and dryer cord, Type SRDT.

[Last Updated on 2007-02-12](#)

[Questions?](#)[Notice of Disclaimer](#)[Page Top](#)[Copyright © 2007 Underwriters Laboratories Inc.®](#)

The appearance of a company's name or product in this database does not in itself assure that products so identified have been manufactured under UL's Follow-Up Service. Only those products bearing the UL Mark should be considered to be Listed and covered under UL's Follow-Up Service. Always look for the Mark on the product.

UL permits the reproduction of the material contained in the Online Certification Directory subject to the following conditions: 1. The Guide Information, Designs and/or Listings (files) must be presented in their entirety and in a non-misleading manner, without any manipulation of the data (or drawings). 2. The statement "Reprinted from the Online Certifications Directory with permission from Underwriters Laboratories Inc." must appear adjacent to the extracted material. In addition, the reprinted material must include a copyright notice in the following format: "Copyright © 2007 Underwriters Laboratories Inc.®"

An independent organization working for a safer world with integrity, precision and knowledge.





Certificate of Compliance

Certificate: 1594794 (LL 76398)

Master Contract: 177323

Project: 2616524

Date Issued: April 3, 2013

Issued to: Yung Li Company Ltd.

1F No 10 Lane 235 Pao Chiao Rd
Hsin Tien City
Taipei Hsien,
Taiwan
Attention: Wendy Wu

The products listed below are eligible to bear the CSA Mark shown



Kim Nguyen

Issued by: Kim Nguyen, P. Eng.

PRODUCTS

CLASS 5831 01 - WIRES - Flexible Cord

Types SPT-1, NISPT-1, SPT-2, NISPT-2, SPT-3, SVT, SVTO, SJT, SJTW, SJTO, SJTOW, ST, STW, STO, STOW with PVC insulation and jacket, rated 60C, 75C, 90C and 105C, FT1, FT2, VW-1.

APPLICABLE REQUIREMENTS

CSA C22.2 No 49 - Flexible Cords and Cables