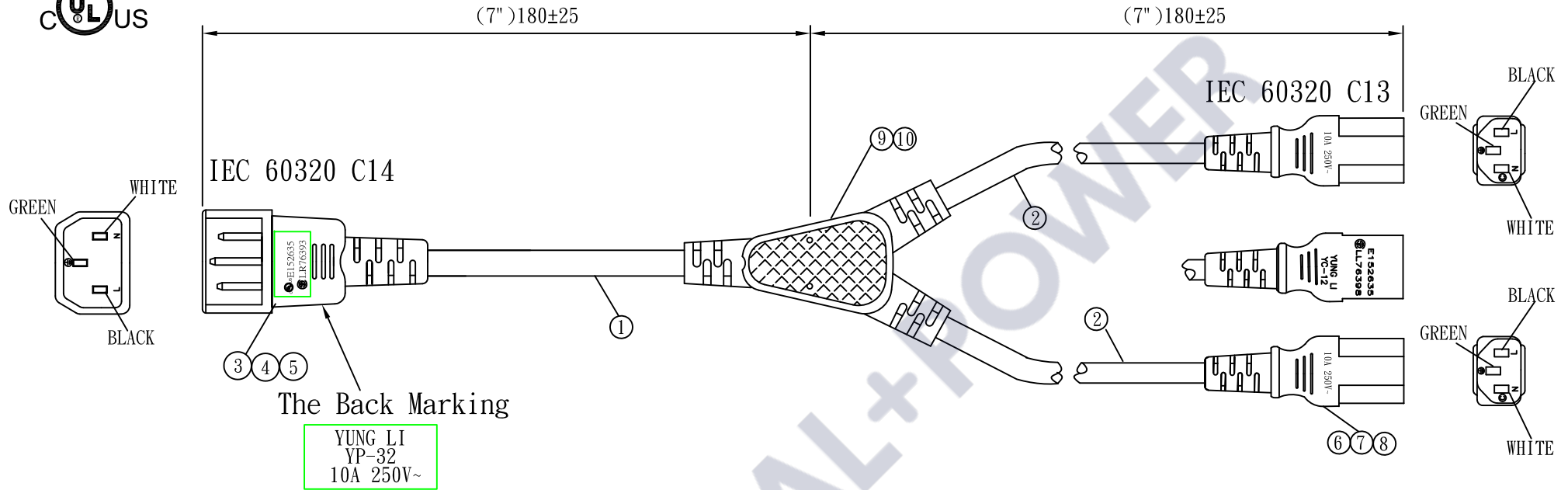




REV	DATE	DRAWN	DESCRIPTION
C	2016.06.28	MELON	Add CUL approval marking onto the plug mold.



NO.	SPECIFICATION	QTY	REMARK
1	SJT 18/3C 105°C BLACK	1PC	170±5(YL)
2	SJT 18/3C 105°C BLACK	2PCS	170±5(YL)
3	YP-32 PVC PLASTIC:50P BLACK	15g/PC	
4	YP-32 INNER BODY:2 X 4 BLACK	1PC	
5	TER:98672	3PCS	
6	YC-12 PVC PLASTIC:50P BLACK	18g/PC	
7	TER:97740BS-0	6PCS	
8	YC-12 INNER BODY	2PCS	
9	SR-6 PVC PLASTIC:50P BLACK	8g/PC	
10	TER:99143	3PCS	
11	BOX LABEL:152x102mm	1PC	

Tolerance >0±0.30 >1.0±0.50 >10.0±1.0 >20.0±2.0 Angle: ±1°	Approved	Date	<b>SIGNAL+POWER</b>				
	Checked	Date					
	Drawn	Date	Customer				
	Cat. No.	YP-32/SR6+YC-12*2		P/N.	P-32Y1212-012B-18		
	Drawing No.	CY-U2543-01	Rev.	C	Material	P.V.C	Unit
				HEFT(g)	120		