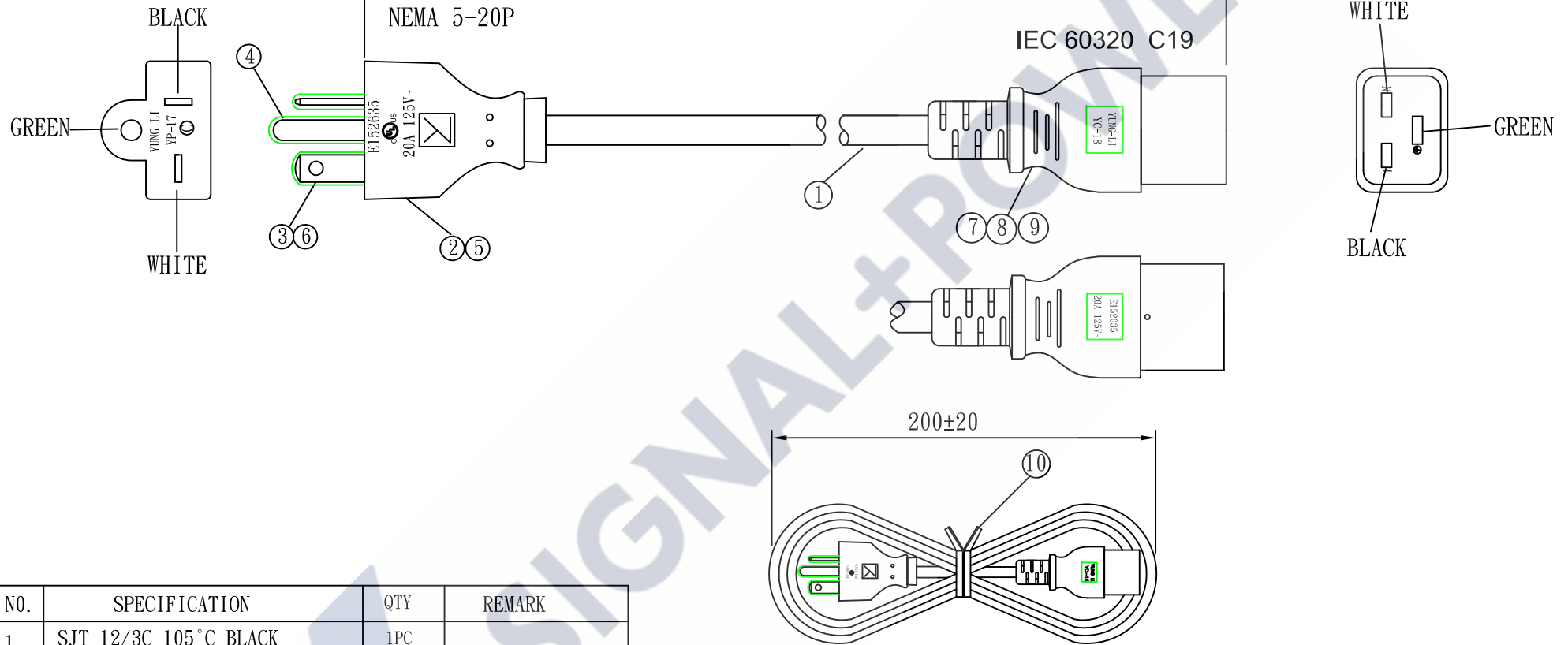


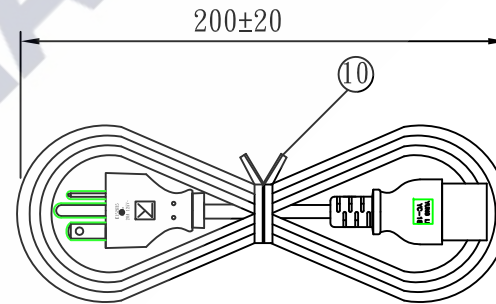
REV	DATE	DRAWN	description
C	2019. 06. 24	SUKI	added rating on the plug mold.



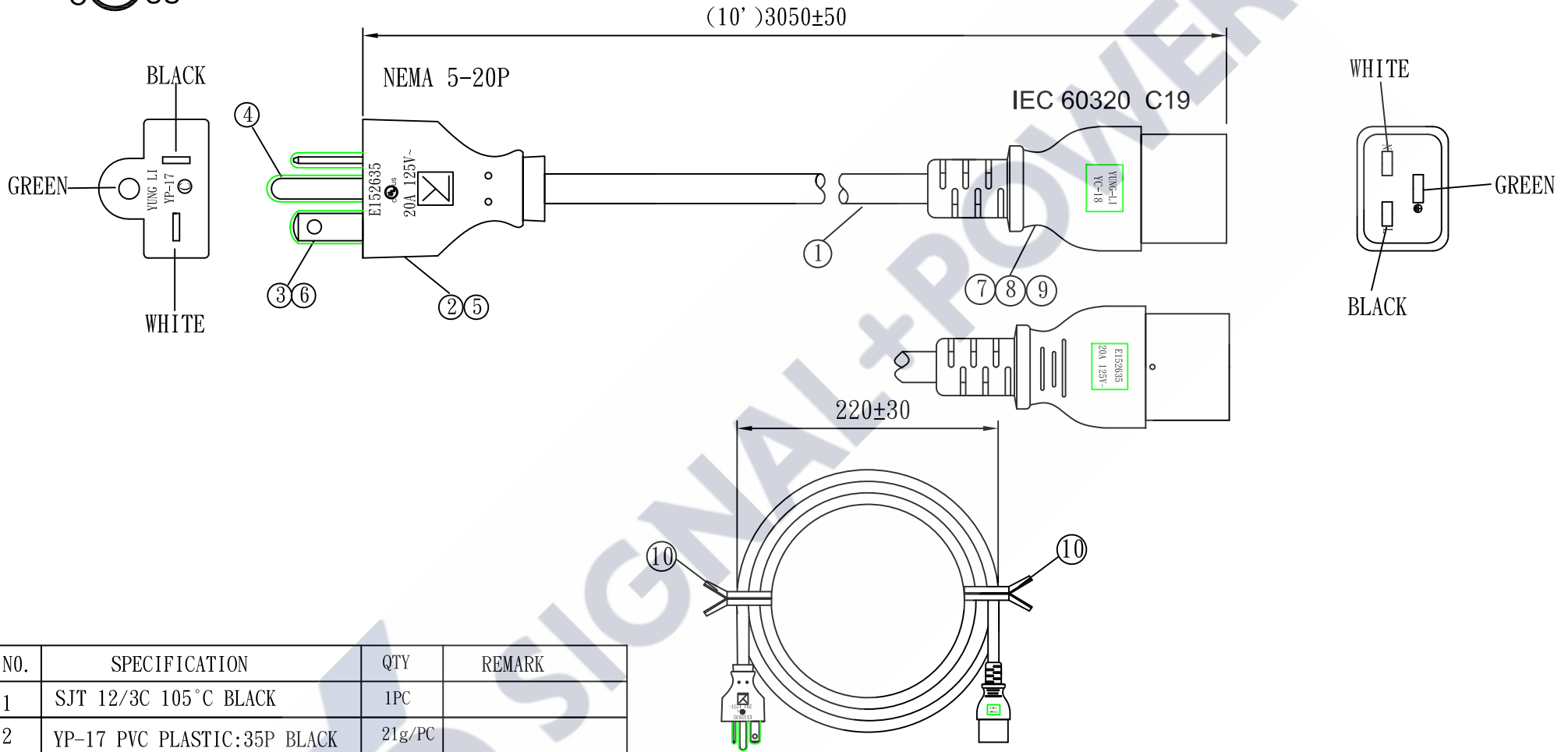
(8')1830±50



NO.	SPECIFICATION	QTY	REMARK
1	SJT 12/3C 105°C BLACK	1PC	
2	YP-17 PVC PLASTIC:35P BLACK	21g/PC	
3	TER: 98695BS-1	2PCS	
4	TER:98473	1PC	
5	YP-17 INNER BODY	1PC	
6	SLEEVE WHITE	1PC	
7	YC-18 PVC PLASTIC:50P BLACK	25g/PC	
8	YC-18 INNER BODY	1PC	
9	YC-18 TER	3PCS	
10	MINI TIE:L=150mm BLACK	1PC	

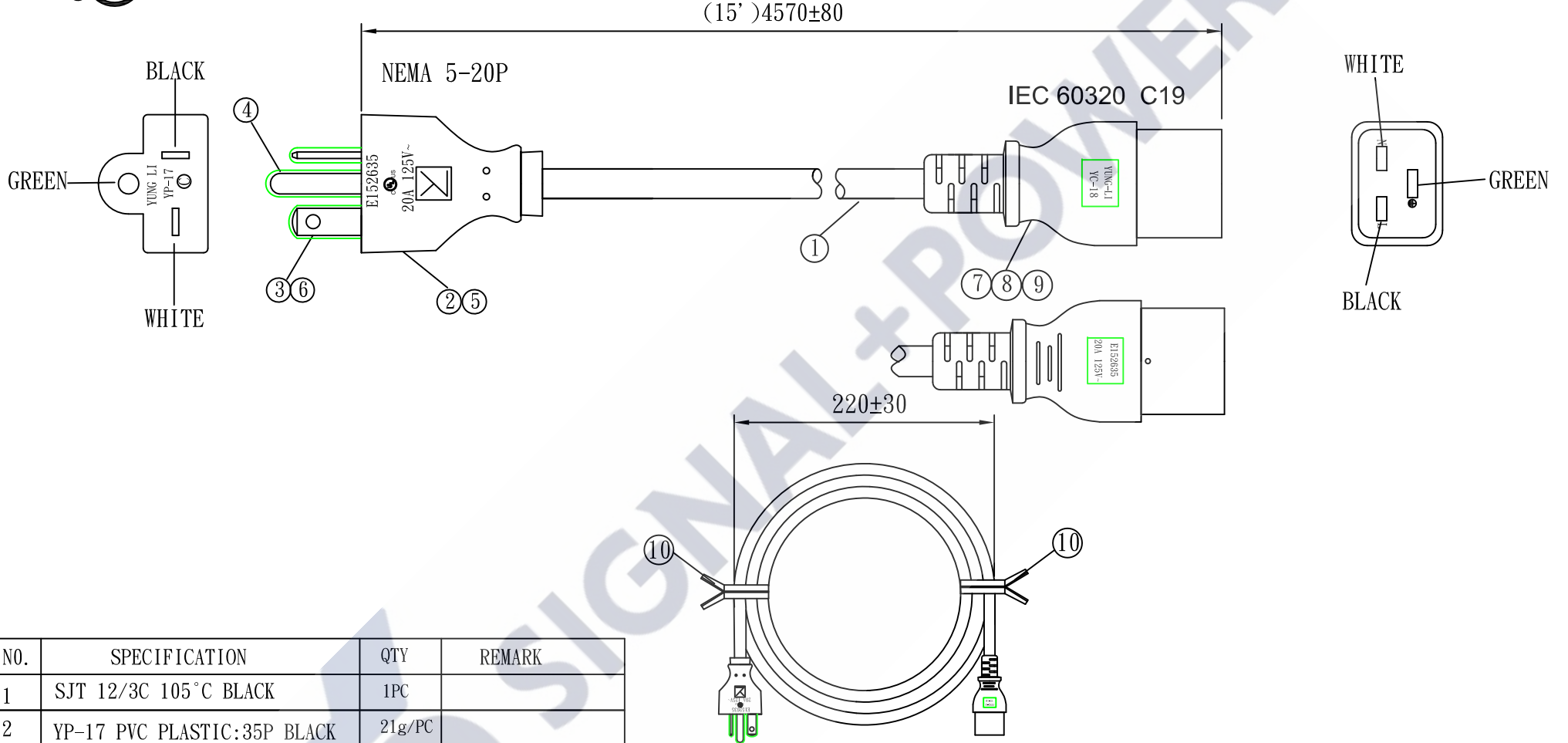


TOLERANCE >0±0.30 >1.0±0.50 >10.0±1.0 >20.0±2.0 Angle: ±1°	APPROVED	DATE	SIGNAL+POWER				
	CHECKED	DATE					
DRAWN	H.F	DATE	22. 08. 03	CUSTOMER			
TYPE	YP-17/YC-18			P/N	P-1718-06B		
DRAWING NO.	CY-U3054-01	REV	C	MATERIAL	P. V. C	UNIT	mm
				SCALE			



NO.	SPECIFICATION	QTY	REMARK
1	SJT 12/3C 105 °C BLACK	1PC	
2	YP-17 PVC PLASTIC:35P BLACK	21g/PC	
3	TER: 98695BS-1	2PCS	
4	TER:98473	1PC	
5	YP-17 INNER BODY	1PC	
6	SLEEVE	1PC	
7	YC-18 PVC PLASTIC:50P BLACK	25g/PC	
8	YC-18 INNER BODY	1PC	
9	YC-18 TER	3PCS	
10	MINI TIE BLACK	1PC	

Tolerance >0±0.30 >1.0±0.50 >10.0±1.0 >20.0±2.0 Angle: ±1°	Approved	Date		SIGNAL+POWER					
	Checked	Date							
	Drawn	SUKI	Date	22.08.22	Customer				
	Cat. No.	YP-17/YC-18			P/N.	P-1718-10B			
	Drawing No.	CY-U8133		Rev.	B	Material	P.V.C	Unit	mm
						Scale			



NO.	SPECIFICATION	QTY	REMARK
1	SJT 12/3C 105°C BLACK	1PC	
2	YP-17 PVC PLASTIC:35P BLACK	21g/PC	
3	TER: 98695BS-1	2PCS	
4	TER:98473	1PC	
5	YP-17 INNER BODY	1PC	
6	SLEEVE	1PC	
7	YC-18 PVC PLASTIC:50P BLACK	25g/PC	
8	YC-18 INNER BODY	1PC	
9	YC-18 TER	3PCS	
10	MINI TIE BLACK	1PC	

Tolerance >0±0.30 >1.0±0.50 >10.0±1.0 >20.0±2.0 Angle: ±1°	Approved	Date		SIGNAL+POWER					
	Checked	Date							
	Drawn	SUKI	Date	22.09.09	Customer				
	Cat. No.	YP-17/YC-18			P/N.	P-1718-15B			
	Drawing No.	CY-U2879-02		Rev.	B	Material	P. V. C	Unit	mm
						Scale			