

東莞永力電業有限公司

YUNG LI CO., LTD

**Da Pu Industrial Zone, Gang Zi, Changping Town,
Dong Guan City, Guangdong 523571 China.P.R.C**

TEL:0769-83396797~8

FAX:0769-83396796

E-mail: sales@yung-li.com

Description: **YP-17/YC-17**

Customer :

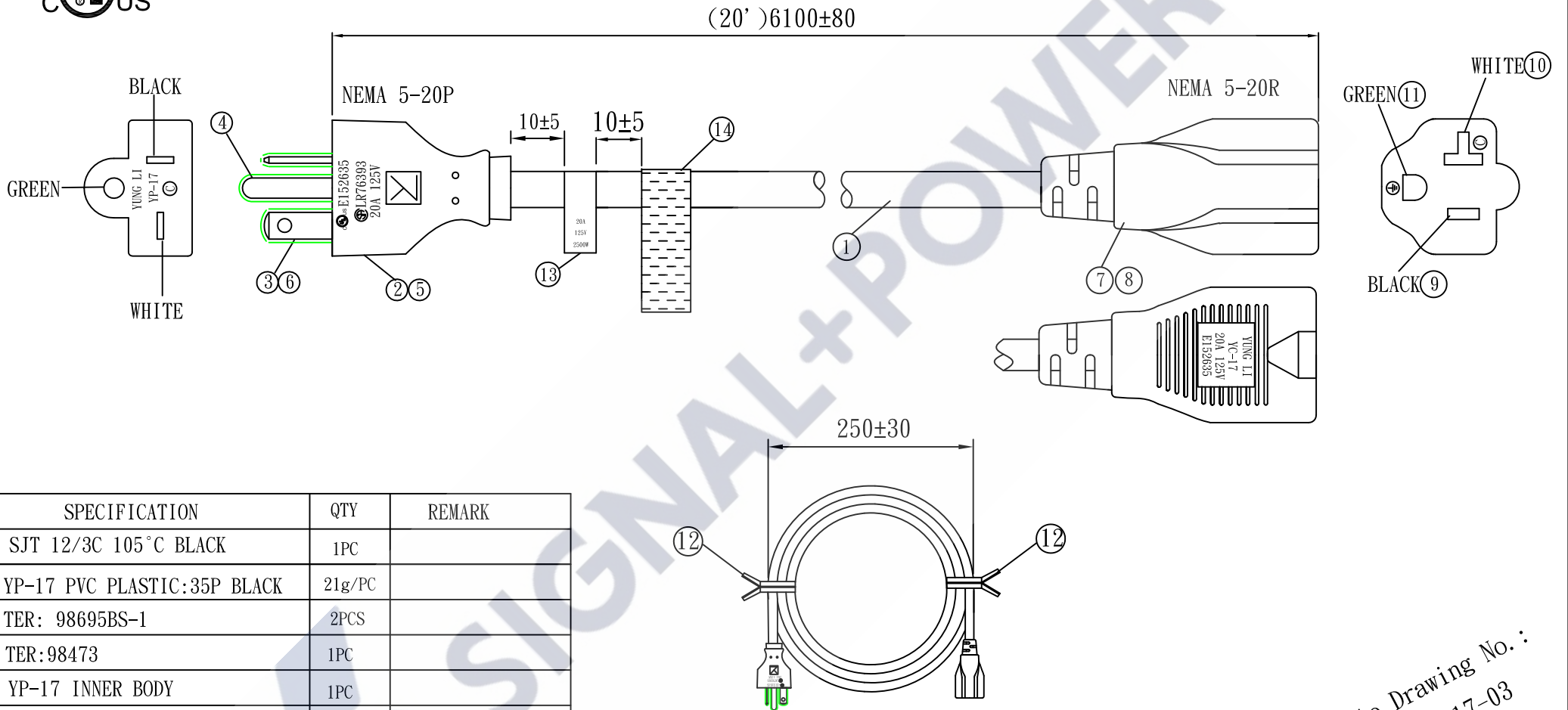
Parts No. : **P-1717-20B**

Draw No. :

REVISION RECORD

| | | |
|---|--|--|
| 1 | | |
| 2 | | |
| 3 | | |
| 4 | | |
| 5 | | |

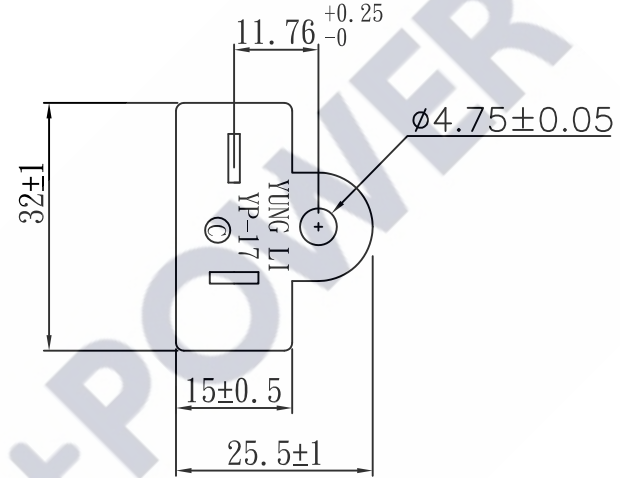
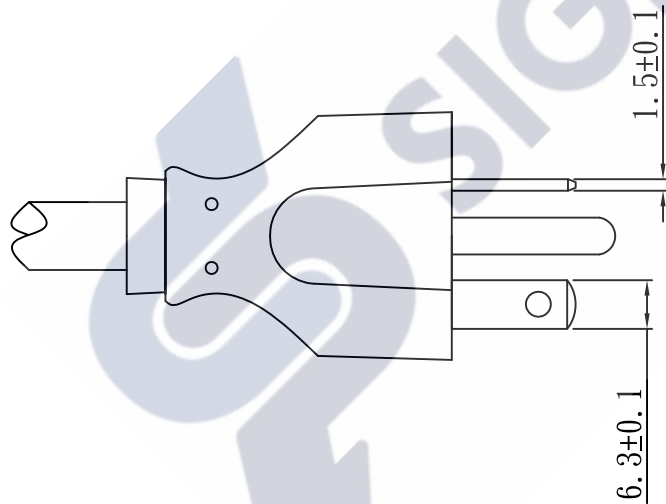
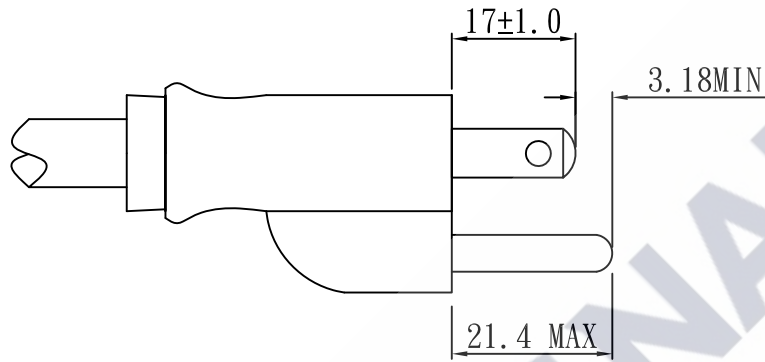
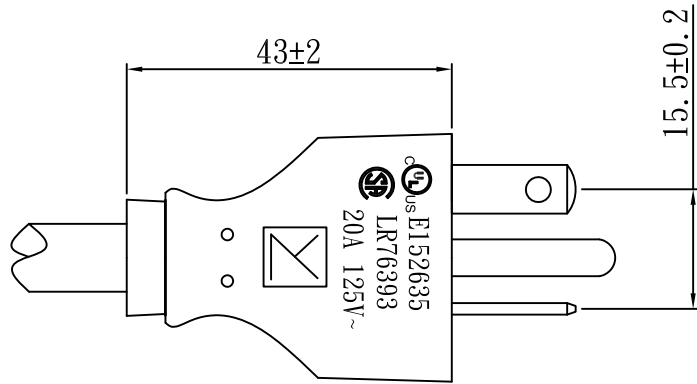
| YUNG LI | | CUSTOMER | APPROVED |
|---------|-------------|----------|----------|
| CHECKED | PREPARED BY | | |
| | | | |



| NO. | SPECIFICATION | QTY | REMARK |
|-----|-----------------------------|--------|-----------------|
| 1 | SJT 12/3C 105°C BLACK | 1PC | |
| 2 | YP-17 PVC PLASTIC:35P BLACK | 21g/PC | |
| 3 | TER: 98695BS-1 | 2PCS | |
| 4 | TER:98473 | 1PC | |
| 5 | YP-17 INNER BODY | 1PC | |
| 6 | SLEEVE | 1PC | |
| 7 | YC-17 PVC PLASTIC:35P BLACK | 25g/PC | |
| 8 | YC-17 INNER BODY | 1PC | |
| 9 | TER:98752PS-0/XDOT000280 | 1PC | |
| 10 | "T" TER: XDOT000326 | 1PC | |
| 11 | "D" TER:98575BS-0 | 1PC | |
| 12 | MINI TIE BLACK | 2PCS | |
| 13 | UL LABEL: 20A 125V | 1PC | |
| 14 | WARNING LABEL: 230*36mm | 1PC | YL-Bar Cord-205 |

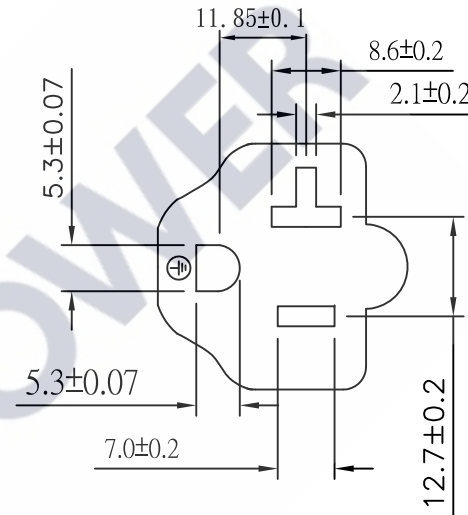
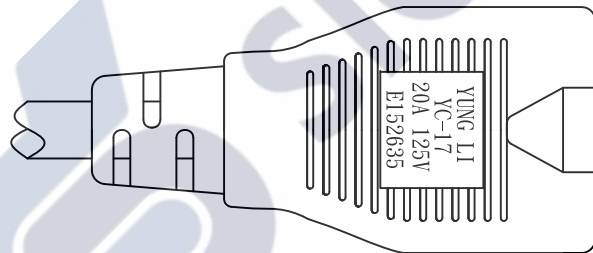
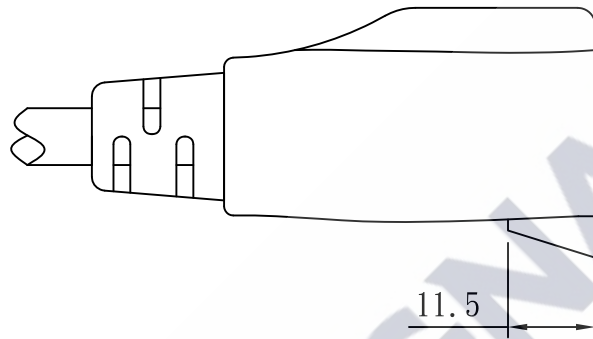
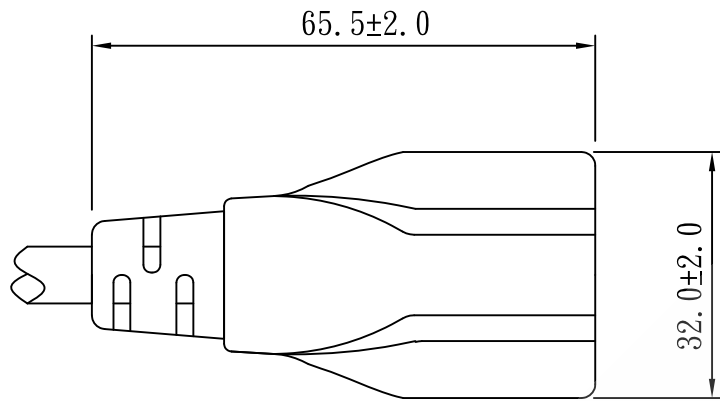
| | | | | | | | | | |
|--|-------------|-------------|------|----------|---------------------|------------|------|----|--|
| TOLERANCE >0±0.30 >1.0±0.50 >10.0±1.0 >20.0±2.0 Angle: ±1° | APPROVED | | DATE | | SIGNAL+POWER | | | | |
| | CHECKED | | DATE | | | | | | |
| | DRAWN | SUKI | DATE | 15.10.21 | CUSTOMER | | | | |
| | TYPE | YP-17/YC-17 | | | P/N | P-1717-20B | | | |
| | DRAWING NO. | | REV | B | MATERIAL | P. V. C | UNIT | mm | |
| | | | | SCALE | | | | | |



Sample Drawing No. :
SP210517-03



| | | | | | | | | |
|--|-------------|-------|------|-------|------------------|-----|------|----|
| TOLERANCE >0±0.30 >1.0±0.50 >10.0±1.0 >20.0±2.0 Angle: ±1° | APPROVED | | DATE | | YUNG LI CO., LTD | | | |
| | CHECKED | | DATE | | | | | |
| | DRAWN | | DATE | | CUSTOMER | | | |
| | TYPE | YP-17 | | | P/N | | | |
| | DRAWING NO. | | REV | B | MATERIAL | TPE | UNIT | mm |
| | | | | SCALE | 1:1 | ⊕ | ▭ | |


 NEMA 5-20R



| | | | | | | | | |
|--|-------------|---------|------|------------------|----------|---------|---|----|
| TOLERANCE >0±0.30 >1.0±0.50 >10.0±1.0 >20.0±2.0 Angle: ±1° | APPROVED | | DATE | YUNG LI CO., LTD | | | | |
| | CHECKED | | DATE | CUSTOMER | | | | |
| | DRAWN | | DATE | P/N | | | | |
| | TYPE | YC-17 | | | MATERIAL | P. V. C | UNIT | mm |
| | DRAWING NO. | D-C17UB | REV | B | SCALE | 1:1 |   | |

YUNG LI CO., LTD

SPECIFICATION

| | | | |
|------------|-------|-------------------------|-------------|
| Yung-Li | Style | PVC FLEXIBLE CORDS | Document No |
| 2009.06.05 | | | |
| Edition | Size | SJT 12/ 3C 105°C | Page |
| A | | | 1/2 |

1. Standard : UL 62 UL 1581

2. Construction & Dimension

| | Item | Specification |
|---------------|--------------------------------|------------------------------|
| Conductor | Size | 12AWG X 3C |
| | Material | Annealed Bare Copper |
| | Construction | 65/ ϕ 0.254 \pm 0.003 |
| Insulation | Material | PVC |
| | Minimum Average Thickness | 0.76mm |
| | Minimum Thickness at any point | 0.69mm |
| | Diameter | 4.0 \pm 0.10 |
| | Identification | Black White Green |
| Core Assembly | Core Twist | 3-Core |
| | Filler | NA |
| | Assembly Pair | NA |
| Taping | Mylar Foil | NA |
| Shielded | A1-Mylar Foil | NA |
| Drain Wire | Material | NA |
| | Construction | NA |
| Jacket | Material | PVC |
| | Minimum Average Thickness | 1.14mm |
| | Minimum Thickness at any point | 0.91mm |
| | Overall Diameter(Approx) | 11.2 \pm 0.2 |
| | Color | Any Color |

Marking :

YUNG LI (UL) E241374 SJT 3/C 12AWG(3.31mm²) 105°C 300V VW-1
 CSA 177323 SJT 3/C 12AWG(3.31mm²) 105°C 300V FT2

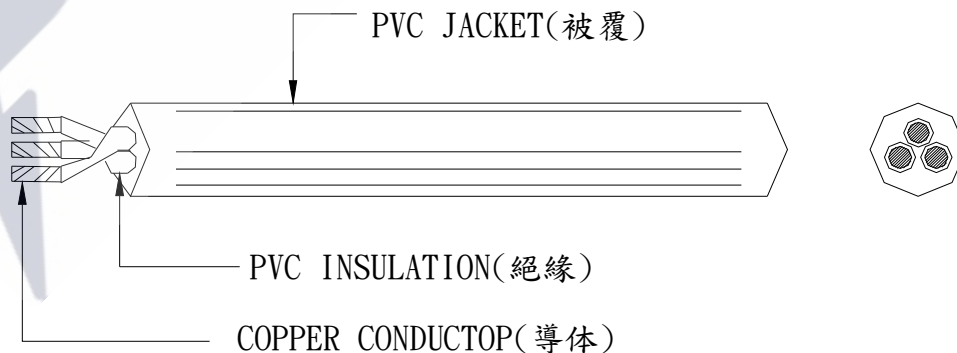
YUNG LI CO., LTD

SPECIFICATION

| | | | |
|------------|-------|-------------------------|-------------|
| Yung-Li | Style | PVC FLEXIBLE CORDS | Document No |
| 2009.06.05 | | | |
| Edition | Size | SJT 12/ 3C 105°C | Page |
| A | | | 2/2 |

| 3. Electrical & Physical Properties | | | |
|-------------------------------------|--------|--|------------------------------|
| Item | | Specification | |
| Rating Voltage | | 300V | |
| Insulation Resistance | | $\geq 0.76\text{M}\Omega/\text{Km}$ 15.0°C Min | |
| Dielectric Strength | | AC 2.0KV/1 min No Crack | |
| Spark Test | | 6.0KV/0.15 Sec | |
| Insulation | Unaged | Tensile Strength | 1500 lbs/in ² min |
| | | Elongation | 100%Min |
| | Aged | Tensile Strength | Min 85%(136±1°C x168hrs) |
| | | Elongation | Min 65%(136±1°C x168hrs) |
| Jacket | Unaged | Tensile Strength | 1500 lbs/in ² min |
| | | Elongation | 100%Min |
| | Aged | Tensile Strength | Min 85%(136±1°C x168hrs) |
| | | Elongation | Min 45%(136±1°C x168hrs) |
| Deformation Test | | 121±1°C m X 1hr $\leq 50\%$ | |
| Cold Bend Test | | -20°C x 4hr No Crack | |
| Heat Shock Test | | 121±1°C x 1hr No Crack | |
| | | | |

Graph:



ELBZ7.E152635 - Cord Sets and Power-supply Cords Certified for Canada

Cord Sets and Power-supply Cords Certified for Canada

See General Information for Cord Sets and Power-supply Cords Certified for Canada

YUNG LI CO LTD

7F-12 NO 99 SEC 1 XINTAI 5TH RD
XIZHI DISTRICT
NEW TAIPEI, 22175 TAIWAN

Power-supply cords

E152635

| Cat. No. | ANSI/NEMA WD6 Config | Cord AWG | Cord Type | Electrical Rating Amps V |
|----------|-------------------------|-------------|--|--------------------------------|
| YP-11 | 1-15 | 18/2 | SPT-1, SPT-2, SPT-3, NISPT-2, SVT, SVTO, SJT, SJTW, SJTO, SJTOW (All TPE material), SPT-1, SPT-1W, NISPT-1, SPT-2, SPT-2W, NISPT-2, SPT-3, HPN, SVT, SVTO, SJT, SJTW, SJTO, SJTOW, SV, SVO, SJ, SJO, SJOW, SJOOW, EVT, EVJT, EVE, EVJE | 7 or 10/125 |
| | | 17/2 | SVT, SVTO (All TPE material), SVT, SVTO, SV, SVO, SJ, SJO, SJOW, SJOOW, EVT, EVJT, EVE, EVJE | 12/125 |
| | | 16/2 | SPT-2, SPT-3, NISPT-2, SVT, SVTO, SJT, SJTW, SJTO, SJTOW (All TPE material), SPT-2, SPT-2W, NISPT-2, SPT-3, SVT, SVTO, SJT, SJTW, SJTO, SJTOW, SV, SVO, SJ, SJO, SJOW, SJOOW, EVT, EVJT, EVE, EVJE | 13/125 |
| | | 16/2 | HPN | 15/125 |
| | | 14/2 | SPT-3, SJT, SJTW, SJTO, SJTOW (All TPE material), SPT-3, SJT, SJTW, SJTO, SJTOW, SJ, SJO, SJOW, SJOOW, EVT, EVJT, EVE, EVJE | 15/125 |
| YP-11W | 1-15P | 18/2 | SPT-1, SPT-2, SPT-3, NISPT-2, SVT, SVTO, SJT, SJTW, SJTO, SJTOW (All TPE material), SPT-1, SPT-1W, NISPT-1, SPT-2, SPT-2W, NISPT-2, SPT-3, HPN, SVT, SVTO, SJT, SJTW, , SJTO, SJTOW, SV, SVO, SJ, SJO, SJOW, SJOOW, EVT, EVJT, EVE, EVJE | 7 or 10/125 |
| | | 17/2 | SVT, SVTO (All TPE material), SVT, SVTO, SV, SVO, SJ, SJO, SJOW, SJOOW, EVT, EVJT, EVE, EVJE | 12/125 |
| | | 16/2 | SPT-2, SPT-3, NISPT-2, SVT, SVTO, SJT, SJTW, SJTO, SJTOW (All TPE material), SPT-2, SPT-2W, NISPT-2, SPT-3, SVT, SVTO, SJT, SJTW, SJTO, SJTOW, SV, SVO, SJ, SJO, SJOW, SJOOW, EVT, EVJT, EVE, EVJE | 13/125 |
| | | 16/2 | HPN | 15/125 |
| | | 14/2 | SPT-3, SJT, SJTW, SJTO, SJTOW (All TPE material), SPT-3, SJT, SJTW, SJTO, SJTOW, SJ, SJO, SJOW, SJOOW, EVT, EVJT, EVE, EVJE | 15/125 |

| | | | | |
|---------------|------|------|---|---------------|
| | | 12/3 | SJT, SJTW, SJTO, SJTOW, ST, STW, STOW (All TPE material), SJT, SJTW, SJTO, SJTOW, ST, STW, STOW, SO, SOW, SOOW, EVT, EVJT, EVE, EVJE | 15/125 |
| YP-12L(A.C.1) | 5-15 | 18/3 | NISPT-2 (TPE), NISPT-2, EVT, EVJT, EVE, EVJE | 7 or 10/125 |
| | | 16/3 | NISPT-2 (TPE), NISPT-2, EVT, EVJT, EVE, EVJE | 13/125 |
| YP-16 | 6-20 | 18/3 | SVT, SVT Shielded, SVTO, SJT, SJT Shielded, SJTW, SJTW Shielded, SJTO, SJTOW, ST, STW, STOW, SPT-2, SPT-3 (All TPE material), SVT, SVT Shielded, SVTO, SJT, SJT Shielded, SJTW, SJTW Shielded, SJTO, SJTOW, ST, STW, STOW, SV, SVO, SJ, SJO, SJOW, SJOOW, S, SO, SOW, SOOW, SPT-2, SPT-3, EVT, EVJT, EVE, EVJE | 2.5 or 10/250 |
| | | 17/3 | SVT, SVTO (All TPE material), SVT, SVTO, SV, SVO, EVT, EVJT | 12/250 |
| | | 16/3 | SVT, SVTO, SJT, SJTW, SJTO, SJTOW, ST, STW, STOW, SPT-2, SPT-3 (All TPE material), SVT, SVTO, SJT, SJTW, SJTO, SJTOW, ST, STW, STOW, SV, SVO, SJ, SJO, SJOW, SJOOW, S, SO, SOW, SOOW, SPT-2, SPT-3, EVT, EVJT, EVE, EVJE | 13/250 |
| | | 14/3 | SJT, SJTW, SJTO, SJTOW, ST, STW, STOW, SPT-3 (All TPE material), SJT, SJTW, SJTO, SJTOW, ST, STW, STOW, SJ, SJO, SJOW, SJOOW, S, SO, SOW, SOOW, SPT-3, EVT, EVJT, EVE, EVJE | 18/250 |
| | | 12/3 | SJT, SJTW, SJTO, SJTOW, ST, STW, STOW, SPT-3 (All TPE material), SJT, SJTW, SJTO, SJTOW, ST, STW, STOW, SJ, SJO, SJOW, SJOOW, S, SO, SOW, SOOW, SPT-3, EVT, EVJT, EVE, EVJE | 20/250 |
| YP-16L | 6-20 | 18/3 | SJT, SJTW, SJTO, SJTOW, ST, STW, STOW (All TPE material), SJT, SJTW, SJTO, SJTOW, ST, STW, STOW, SO, SOW, SOOW, EVT, EVJT, EVE, EVJE | 2.5 or 10/250 |
| | | 16/3 | SJT, SJTW, SJTO, SJTOW, ST, STW, STOW (All TPE material), SJT, SJTW, SJTO, SJTOW, ST, STW, STOW, SO, SOW, SOOW, EVT, EVJT, EVE, EVJE | 13/250 |
| | | 14/3 | SJT, SJTW, SJTO, SJTOW, ST, STW, STOW, SPT-3 (All TPE material), SJT, SJTW, SJTO, SJTOW, ST, STW, STOW, SO, SOW, SOOW, SPT-3, EVT, EVJT, EVE, EVJE | 18/250 |
| | | 12/3 | SJT, SJTW, SJTO, SJTOW, ST, STW, STOW, SPT-3 (All TPE material), SJT, SJTW, SJTO, SJTOW, ST, STW, STOW, SO, SOW, SOOW, SPT-3, EVT, EVJT, EVE, EVJE | 20/250 |
| YP-17 | 5-20 | 18/3 | SVT, SVT Shielded, SVTO, SJT, SJT Shielded, SJTW, SJTW Shielded, SJTO, SJTOW, ST, STW, STOW, SPT-2, SPT-3 (All TPE material), SVT, SVT Shielded, SVTO, SJT, SJT Shielded, SJTW, SJTW Shielded, SJTO, SJTOW, ST, STW, STOW, SV, SVO, SJ, SJO, SJOW, SJOOW, S, SO, SOW, SOOW, SPT-2, SPT-3, EVT, EVJT, EVE, EVJE | 7 or 10/125 |
| | | 17/3 | SVT, SVTO (All TPE material), SVT, SVTO, SV, SVO, EVT, EVJT, EVE, EVJE | 12/125 |
| | | 16/3 | SVT, SVTO, SJT, SJTW, SJTO, SJTOW, ST, STW, STOW, SPT-2, SPT-3 (All TPE material), SVT, SVTO, SJT, SJTW, SJTO, SJTOW, ST, STW, STOW, SV, SVO, SJ, SJO, SJOW, SJOOW, S, SO, SOW, SOOW, SPT-2, SPT-3, EVT, EVJT, EVE, EVJE | 13/125 |

| | | | | |
|--------|------|------|---|-------------|
| | | 14/3 | SJT, SJTW, SJTO, SJTOW, ST, STW, STOW, SPT-3 (All TPE material),SJT, SJTW, SJTO, SJTOW, ST, STW, STOW, SJ, SJO, SJOW, SJOOW, S, SO, SOW, SOOW, SPT-3, EVT, EVJT, EVE, EVJE | 18/125 |
| | | 12/3 | SJT, SJTW, SJTO, SJTOW, ST, STW, STOW, SPT-3 (All TPE material), SJT, SJTW, SJTO, SJTOW, ST, STW, STOW, SJ, SJO, SJOW, SJOOW, S, SO, SOW, SOOW, SPT-3SPT-3, S, SJ, SJO, SJOW, SJOOW, EVT, EVJT, EVE, EVJE | 20/125 |
| YP-17L | 5-20 | 18/3 | SJT, SJTW, SJTO, SJTOW, ST, STW, STOW (All TPE material), SJT, SJTW, SJTO, SJTOW, ST, STW, STOW, SO, SOW, SOOW, EVT, EVJT, EVE, EVJE | 7 or 10/125 |
| | | 16/3 | SJT, SJTW, SJTO, SJTOW, ST, STW, STOW (All TPE material), SJT, SJTW, SJTO, SJTOW, ST, STW, STOW, SO, SOW, SOOW, EVT, EVJT, EVE, EVJE | 13/125 |
| | | 14/3 | SJT, SJTW, SJTO, SJTOW, ST, STW, STOW, SPT-3 (All TPE material), SJT, SJTW, SJTO, SJTOW, ST, STW, STOW, SO, SOW, SOOW, SPT-3, EVT, EVJT, EVE, EVJE | 18/125 |
| | | 12/3 | SJT, SJTW, SJTO, SJTOW, ST, STW, STOW, SPT-3 (All TPE material), SJT, SJTW, SJTO, SJTOW, ST, STW, STOW, SO, SOW, SOOW, SPT-3, EVT, EVJT, EVE, EVJE | 20/125 |
| YP-18 | 5-15 | 18/3 | SJT, SJTW, SJTO, SJTOW (All TPE material), SJT, SJTW, SJTO, | 7 or 10/125 |
| | | | SJTOW, EVE, EVJE | |
| | | 16/3 | SJT, SJTW, SJTO, SJTOW (All TPE material), SJT, SJTW, SJTO, | 13/125 |
| | | | SJTOW, EVE, EVJE | |
| | | 14/3 | SJT, SJTW, SJTO, SJTOW (All TPE material), SJT, SJTW, SJTO, | 15/125 |
| | | | SJTOW, EVE, EVJE | |
| YP-18L | 5-15 | 18/3 | SJT, SJTW, SJTO, SJTOW (All TPE material), SJT, SJTW, SJTO, | 7 or 10/125 |
| | | | SJTOW, EVE, EVJE | |
| | | 16/3 | SJT, SJTW, SJTO, SJTOW (All TPE material), SJT, SJTW, SJTO, | 13/125 |
| | | | SJTOW, EVE, EVJE | |
| | | 14/3 | SJT, SJTW, SJTO, SJTOW (All TPE material), SJT, SJTW, SJTO, | 15/125 |
| | | | SJTOW, EVE, EVJE | |
| | | 12/3 | SJT, SJTW, SJTO, SJTOW | 15/125 |
| YP-18N | 5-15 | 18/3 | SJT, SJTW, SJTO, SJTOW, ST, STW, STOW (All TPE material), SJT, SJTW, SJTO, SJTOW, ST, STW, STOW, SO, SOW, SOOW, EVE, EVJE | 7 or 10/125 |
| | | 16/3 | SJT, SJTW, SJTO, SJTOW, ST, STW, STOW (All TPE material), SJT, SJTW, SJTO, SJTOW, ST, STW, STOW, SO, SOW, SOOW, EVE, EVJE | 13/125 |
| | | 14/3 | SJT, SJTW, SJTO, SJTOW, ST, STW, STOW (All TPE material), SJT, SJTW, SJTO, SJTOW, ST, STW, STOW, SO, SOW, SOOW, SJ, SJO, SJOW, EVE, EVJE | 15/125 |

ELECTRICAL RATING (CONT'D):

| Cat. No. | Config. | Cord, AWG | Current Amps | Volts | CNU | Outdoor Use (Y/N) |
|----------------------|---------|------------------|----------------|------------|-----|-------------------|
| YC-16 | 6-20 | 16,14,12 | 13,18,20 | 250 | Yes | N |
| YC-17 | 5-20 | 16,14,12 | 13,18,20 | 125 | Yes | N |
| YC-19 | 6-15 | 16,14,12 | 13,15,15 | 250 | Yes | N |
| YC-11G | IEC C17 | 18,16 | 10,13 | 125or250 | Yes | N |
| YC-11GL | IEC C17 | 18,16 | 10,13 | 125or250 | Yes | N |
| YC-12G | IEC C13 | 18,16 | 10,13 | 125or250 | Yes | N |
| YC-12GL, YC-12GLR | IEC C13 | 18,16 | 10,13 | 125or250 | Yes | N |
| YC-12K | IEC C13 | 18,17,16,14 | 10,12,13,15 | 125or250 | Yes | N |
| YC-54 | L6-15 | 18,16,14,12 | 10,13,15,15 | 250 | Yes | N |
| YC-52, YC-52A | L6-30 | 14,12,10,8/3 | 18,25,30,30 | 250 | Yes | N |
| YC-55, YC-55A | L5-30 | 14,12,10,8/3 | 18,25,30,30 | 125 | Yes | N |
| YC-77, YC-77A | L14-30 | 14,12,10,8/4 | 18,25,30,30 | 125/250 | Yes | N |
| YC-79 | L15-30 | 14,12,10,8/4 | 15,20,25,30 | 250, 3Ø | Yes | N |
| YC-18A | IEC C19 | 16,14,14,12,12/3 | 13,15,16,16,20 | 125 or 250 | Yes | N |
| YC-15A | 5-15 | 16,14,12 | 13,15,15 | 125 | Yes | N |
| YC-05B | 5-15 | 16,14,12 | 13,15,15 | 125 | Yes | N |
| YC-05C | 5-15 | 16,14,12 | 13,15,15 | 125 | Yes | N |
| YC-76 | L14-20 | 16,14,12,10 | 13,15,20,20 | 125/250 | Yes | N |
| YC-78 | L15-20 | 16,14,12,10 | 13,15,20,20 | 250, 3Ø | Yes | N |

CAT. NO. YC-16 - FIG. 17

General - The general design, shape and arrangement shall be as illustrated except where variations are specifically described. The configuration is identical to NEMA 6-20, see Sec. Gen. for dimensional details.

Body - Molded PVC, R/C (QMFZ2/8), Type Flex 600 manufactured by PURE FRIEND BUSINESS ENTERPRISE CORP. See ILL. 57 for body dimensional details.

Alternate - Same as above except for Molded PVC, Cat. No. CS-9731-WB or CS-9731-WBS, manufactured by CHIA SHIN ENTERPRISES CO LTD.

Alternate - Same as above except for Molded PVC, Cat. No. CNI-94V0, manufacturer by JIA-NIEN INDUSTRIAL CO LTD.

Inner Body - Molded PBT, R/C (QMFZ2/8), Type 1104G-30 manufactured by TORAY INDUSTRIES INC. Minimum thickness 0.71 mm. See ILLs. 58 and 59 for dimensional details.

Line Contact - Copper alloy, plating optional, Cat. No. WS-567 manufactured by WAI SHING METAL PRODUCTS LIMITED. Crimp to conductor 4.0 mm. See ILL. 60 for dimensional details.

Alternate Contact - Copper alloy, plating optional, Cat. No. 98752 manufactured by GEM Terminal Ind. Co., Ltd. Crimp to conductor 4.0 mm. See ILL. 15 for dimensional details.

Neutral Contact - Copper alloy, plating optional, Cat. No. T-132 manufactured by WAI SHING METAL PRODUCTS LIMITED. Crimp to conductor 4.5 mm. See ILL. 61 for dimensional details.

Grounding Contact - D-Shaped, copper alloy, plating optional, Cat. No. 98575 manufactured by GEM Terminal Ind. Co., Ltd. Crimp to conductor 4.2 mm. See ILL. 51 for dimensional details.

Alternate Grounding Contact - D-Shaped, copper alloy, plating optional, Cat. No. T-067 manufactured by WAI SHING METAL PRODUCTS LIMITED. Crimp to conductor 4.0 mm. See ILL. 62 for dimensional details.

Illuminator (Optional) - Neon Lamp, one provided, shall be located within fitting. One lead of the neon lamp is connected across the neutral contact, the other lead is connected in series with a minimum 30 K ohm resistor which is in turn connected to the line contact.

Alternate (Optional) - Same as above except for LED, one provided, connected in series with a minimum 27 K ohm resistor which is in turn connected to the line contact.

Cord - Flexible cord, Listed (ZJCZ/7). See the following table for application details.

| Cord Size | Cord Type | USL | CNL |
|-----------|---|-----|-----|
| 16/3 AWG | SPT-3, SJT, SJTO, SJTW, SJTOW, ST, STW, STOW, S, SO, SOW, SOOW, SJ, SJO, SJOW, SJOOW | YES | YES |
| | SPE-3, SJE, SJEW, SJEO, SJEOW, SE, SEW, SEOW, SPE-3-HF, SJE-HF, SJEW-HF, SJEO-HF, SJEOW-HF, SE-HF, SEW-HF, SEOW-HF | YES | NO |
| | SPT-3, SJT, SJTO, SJTW, SJTOW, ST, STW, STOW (All TPE material) | NO | YES |
| 14/3 AWG | SPT-3, SJT, SJTO, SJTW, SJTOW, ST, STW, STOW, S, SO, SOW, SOOW, SJ, SJO, SJOW, SJOOW | YES | YES |
| | SPE-3, SJE, SJEW, SJEO, SJEOW, SE, SEW, SEOW, SPE-3-HF, SJE-HF, SJEW-HF, SJEO-HF, SJEOW-HF, SE-HF, SEW-HF, SEOW-HF | YES | NO |
| | SPT-3, SJT, SJTO, SJTW, SJTOW, ST, STW, STOW (All TPE material) | NO | YES |
| 12/3 AWG | SPT-3, SJT, SJTO, SJTW, SJTOW, ST, STW, STOW, S, SO, SOW, SOOW, SJ, SJO, SJOW, SJOOW | YES | YES |
| | SPE-3, SJE, SJEW, SJEO, SJEOW, SE, SEW, SEOW, SPE-3-HF, SJE-HF, SJEW-HF, SJEO-HF, SJEOW-HF, SE-HF, SEW-HF, SEOW-HF | YES | NO |
| | SPT-3, SJT, SJTO, SJTW, SJTOW, ST, STW, STOW (All TPE material) | NO | YES |

Marking - See Sec. Gen.

CAT. NO. YC-17 - NOT SHOWN

General - Cat. No. YC-17 is identical to Cat. No. YC-16, except for the following items. The configuration is identical to NEMA 5-20, see Sec. Gen. for dimensional details.

Body - Molded PVC, R/C (QMFZ2/8), Type Flex 600 manufactured by PURE FRIEND BUSINESS ENTERPRISE CORP. See ILL. 63 for dimensional details.

Alternate - Same as above except for Molded PVC, Cat. No. CS-9731-WB or CS-9731-WBS, manufactured by CHIA SHIN ENTERPRISES CO LTD.

Alternate - Same as above except for Molded PVC, Cat. No. CNI-94V0, manufacturer by JIA-NIEN INDUSTRIAL CO LTD.

Inner Body - Molded PBT, R/C (QMFZ2/8), Type 1104G-30 manufactured by TORAY INDUSTRIES INC. Minimum thickness 0.71 mm. See ILLs. 64 and 65 for dimensional details.

CAT. NO. YC-19 - NOT SHOWN

General - Cat. No. YC-19 is identical to Cat. No. YC-16, except for the following items. The configuration is identical to NEMA 6-15, see Sec. Gen. for dimensional details.

Body - Molded PVC, R/C (QMFZ2/8), Type Flex 600 manufactured by PURE FRIEND BUSINESS ENTERPRISE CORP. See ILL. 66 for dimensional details.

Alternate - Same as above except for Molded PVC, Cat. No. CS-9731-WB or CS-9731-WBS, manufactured by CHIA SHIN ENTERPRISES CO LTD.

Alternate - Same as above except for Molded PVC, Cat. No. CNI-94V0, manufacturer by JIA-NIEN INDUSTRIAL CO LTD.

Inner Body - Molded PBT, R/C (QMFZ2/8), Type 1104G-30 manufactured by TORAY INDUSTRIES INC. Minimum thickness 0.71 mm. See ILLs. 67 and 68 for dimensional details.

Contact - Copper alloy, plating optional, Cat. No. WS-567 manufactured by WAI SHING METAL PRODUCTS LIMITED. Crimp to conductor 4.0 mm. See ILL. 60 for dimensional details.

Alternate Contact - Copper alloy, plating optional, Cat. No. 98752 manufactured by GEM Terminal Ind. Co., Ltd. Crimp to conductor 4.0 mm. See ILL. 15 for dimensional details.

**ZJCZ.E241374**
Flexible Cord[Page Bottom](#)**Flexible Cord**[See General Information for Flexible Cord](#)**YUNG LI CO LTD**

E241374

7F-12 NO 99 SEC 1 XINTAI 5TH RD
XIZHI DISTRICT
NEW TAIPEI, 22175 TAIWAN

Decorative cord, Type(s) SPT-1W, SPT-2W**Dryer and range cord**, Type(s) SRDT**Jacketed cord**, Type(s) S, SE, SE-HF, SJ, SJE, SJE-HF, SJO, SJO, SJOOW, SJOW, SJJ, SJJ-B, SJTO, SJTOW, SJTW, SO, SOO, SOOW, SOW, ST, ST-B, STO, STOW, STW, SVE, SVE-HF, SVT, SVT-B, SVTO**Parallel cord**, Type(s) NISPE-1, NISPE-1-HF, NISPE-2, NISPE-2-HF, NISPT-1, NISPT-2, SPE-1, SPE-1-HF, SPE-2, SPE-2-HF, SPE-3, SPE-3-HF, SPT-1, SPT-2, SPT-3[Last Updated](#) on 2016-03-07[Questions?](#)[Print this page](#)[Terms of Use](#)[Page Top](#)

◆ 2016 UL LLC

The appearance of a company's name or product in this database does not in itself assure that products so identified have been manufactured under UL's Follow-Up Service. Only those products bearing the UL Mark should be considered to be Certified and covered under UL's Follow-Up Service. Always look for the Mark on the product.

UL permits the reproduction of the material contained in the Online Certification Directory subject to the following conditions: 1. The Guide Information, Assemblies, Constructions, Designs, Systems, and/or Certifications (files) must be presented in their entirety and in a non-misleading manner, without any manipulation of the data (or drawings). 2. The statement "Reprinted from the Online Certifications Directory with permission from UL" must appear adjacent to the extracted material. In addition, the reprinted material must include a copyright notice in the following format: "© 2016 UL LLC".



Certificate of Compliance

Certificate: 1594794 (LL 76398)

Master Contract: 177323

Project: 2616524

Date Issued: April 3, 2013

Issued to: Yung Li Company Ltd.

1F No 10 Lane 235 Pao Chiao Rd
Hsin Tien City
Taipei Hsien,
Taiwan
Attention: Wendy Wu

The products listed below are eligible to bear the CSA Mark shown



Kim Nguyen

Issued by: Kim Nguyen, P. Eng.

PRODUCTS

CLASS 5831 01 - WIRES - Flexible Cord

Types SPT-1, NISPT-1, SPT-2, NISPT-2, SPT-3, SVT, SVTO, SJT, SJTW, SJTO, SJTOW, ST, STW, STO, STOW with PVC insulation and jacket, rated 60C, 75C, 90C and 105C, FT1, FT2, VW-1.

APPLICABLE REQUIREMENTS

CSA C22.2 No 49 - Flexible Cords and Cables