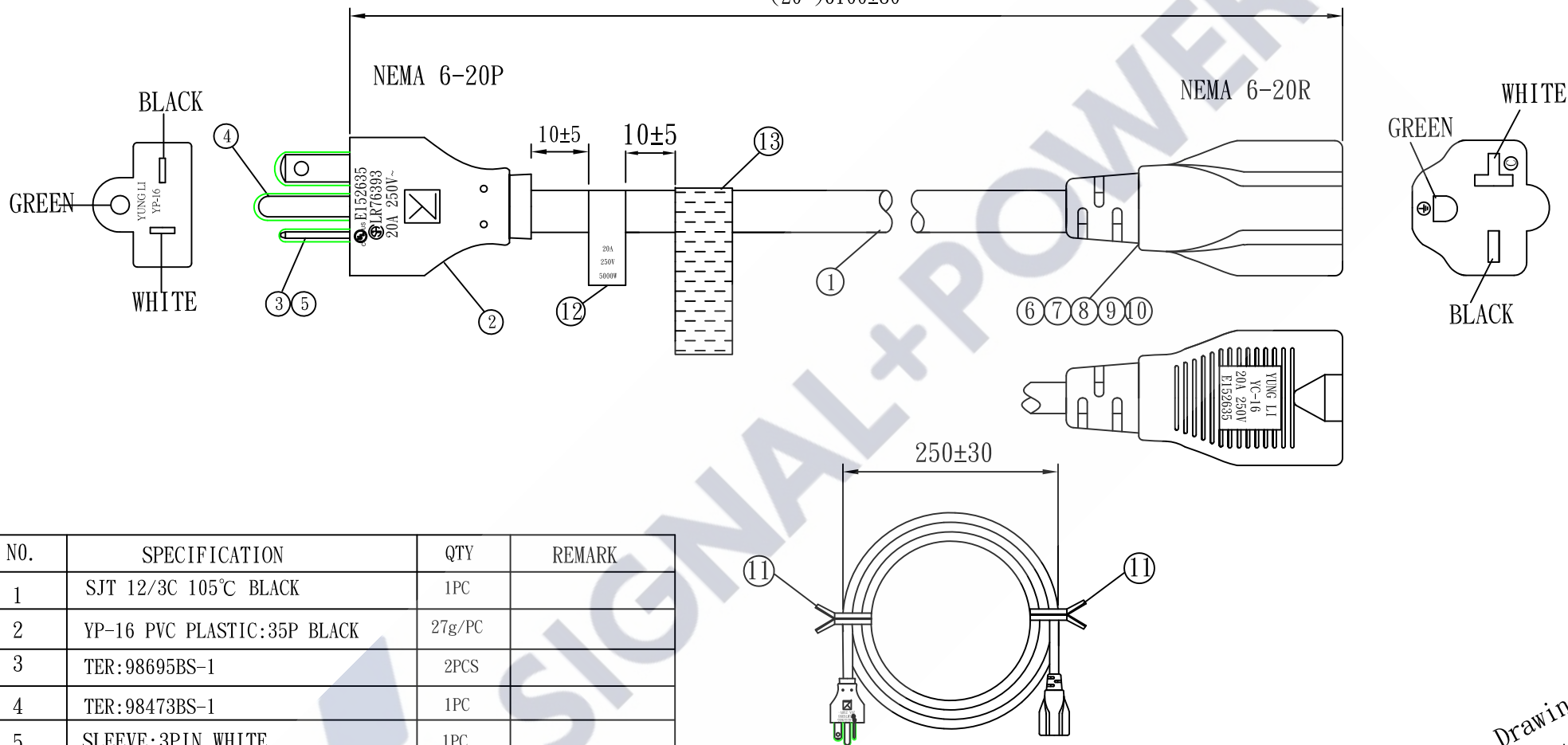




(20') 6100±80



NO.	SPECIFICATION	QTY	REMARK
1	SJT 12/3C 105°C BLACK	1PC	
2	YP-16 PVC PLASTIC:35P BLACK	27g/PC	
3	TER:98695BS-1	2PCS	
4	TER:98473BS-1	1PC	
5	SLEEVE:3PIN WHITE	1PC	
6	YC-16 PVC PLASTIC:35P BLACK	25g/PC	
7	YC-17 INNER BODY	1PC	
8	TER:XDOP001380	1PC	
9	"T" TER: XDOT000326	1PC	
10	"D" TER:98575BS-0	1PC	
11	MINI TIE BLACK	2PCS	
12	UL LABEL: 20A 250V	1PC	
13	WARNING LABEL: 230*36mm	1PC	LABEL-205

Tolerance >0±0.30 >1.0±0.50 >10.0±1.0 >20.0±2.0 Angle: ±1°	Approved		Date		SIGNAL+POWER			
	Checked		Date					
	Drawn	SUKI	Date	21.05.17	Customer			
	Cat. No.	YP-16/YC-16			P/N.	P-1616-20B		
	Drawing No.		Rev.	B	Material	P.V.C	Unit	mm
				Scale				

Sample Drawing No.:
SP210517-01