

東莞永力電業有限公司

YUNG LI CO., LTD

Da Pu Industrial Zone, Gang Zi, Changping Town,
Dong Guan City, Guangdong 523571 China.P.R.C

TEL:0769-83396797~8

FAX:0769-83396796

E-mail: sales@yung-li.com

Description: YP-16/YC-16

Customer :

Parts No. : P-1616-20B

Draw No. :

REVISION RECORD

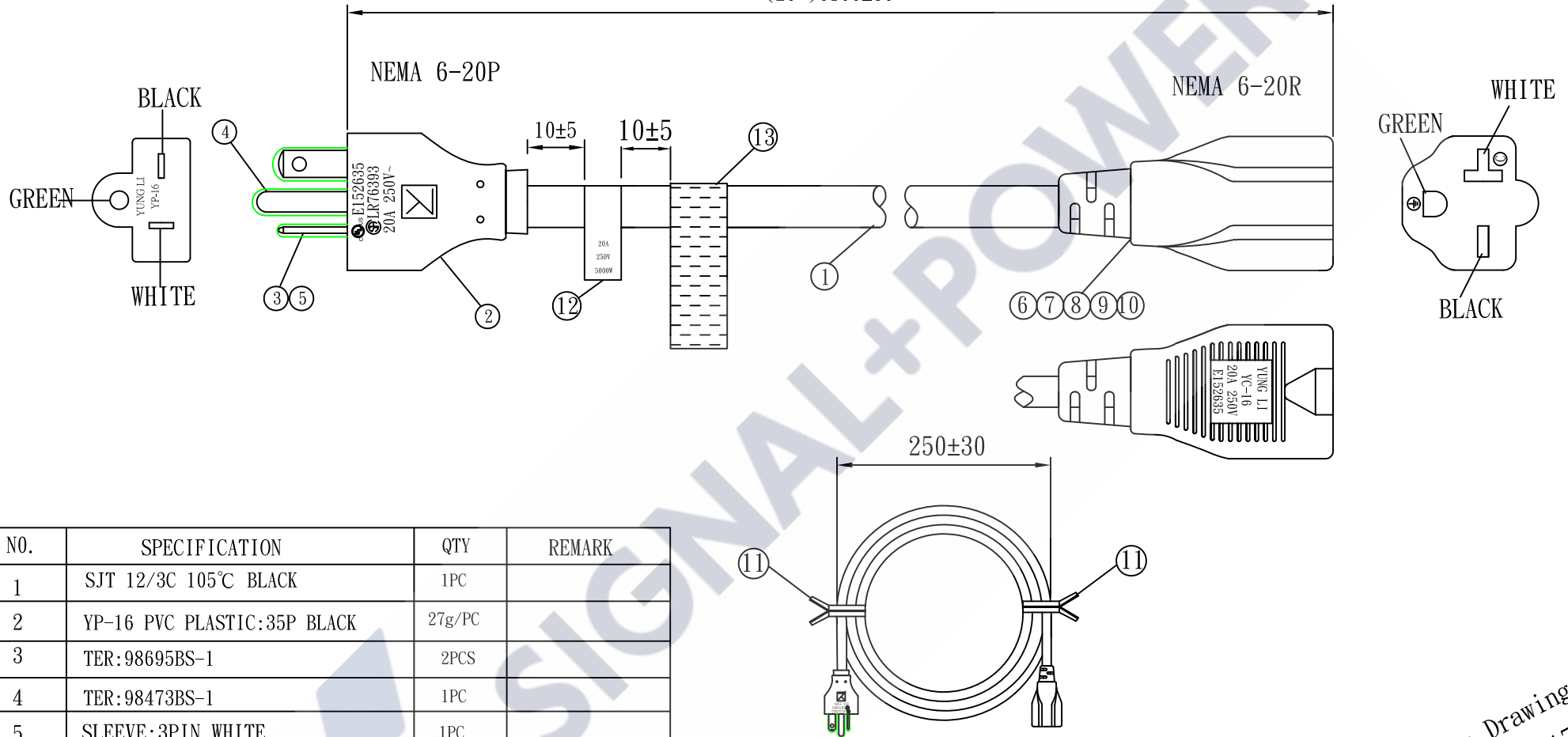
1		
2		
3		
4		
5		

YUNG LI	
CHECKED	PREPARED BY

CUSTOMER	APPROVED



(20') 6100±80



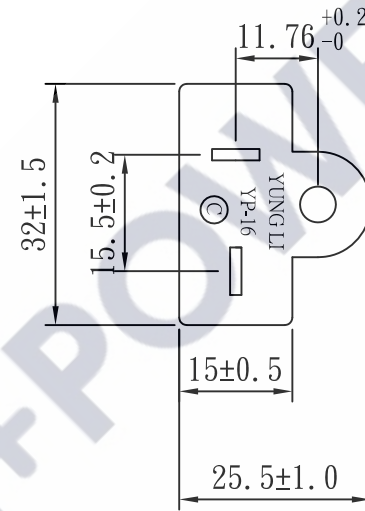
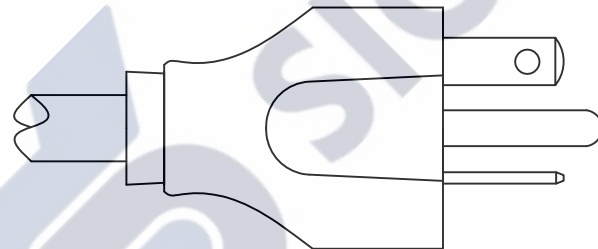
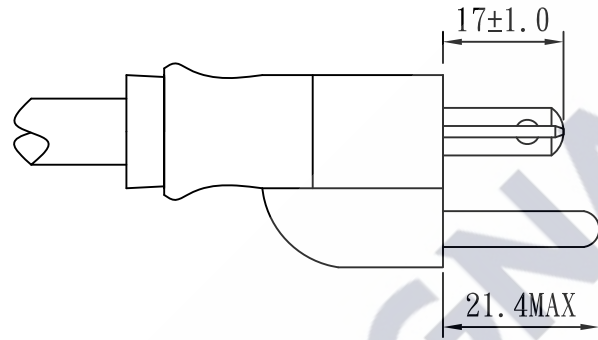
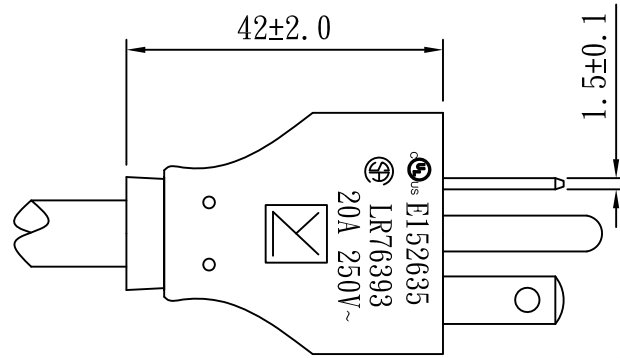
NO.	SPECIFICATION	QTY	REMARK
1	SJT 12/3C 105°C BLACK	1PC	
2	YP-16 PVC PLASTIC:35P BLACK	27g/PC	
3	TER:98695BS-1	2PCS	
4	TER:98473BS-1	1PC	
5	SLEEVE:3PIN WHITE	1PC	
6	YC-16 PVC PLASTIC:35P BLACK	25g/PC	
7	YC-17 INNER BODY	1PC	
8	TER:XDOP001380	1PC	
9	"T" TER: XDOT000326	1PC	
10	"D" TER:98575BS-0	1PC	
11	MINI TIE BLACK	2PCS	
12	UL LABEL: 20A 250V	1PC	
13	WARNING LABEL: 230*36mm	1PC	LABEL-205

Tolerance >0±0.30 >1.0±0.50 >10.0±1.0 >20.0±2.0 Angle: ±1°	Approved	Date	SIGNAL+POWER			
	Checked		Date			
Drawn	SUKI	Date	21.05.17	Customer		
Cat. No.	YP-16/YC-16		P/N.	P-1616-20B		
Drawing No.	Rev.	B	Material	P.V.C	Unit	mm
			Scale			

Sample Drawing No.:
SP210517-01



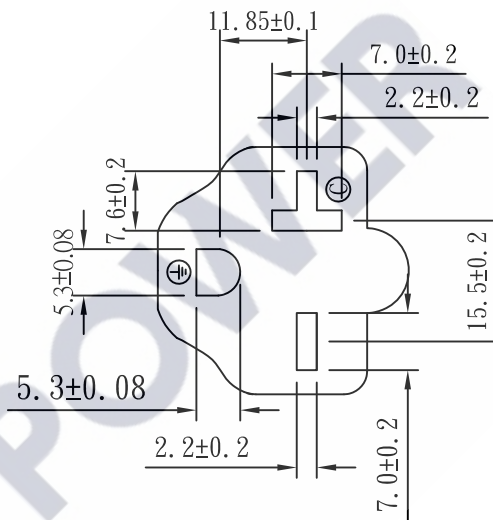
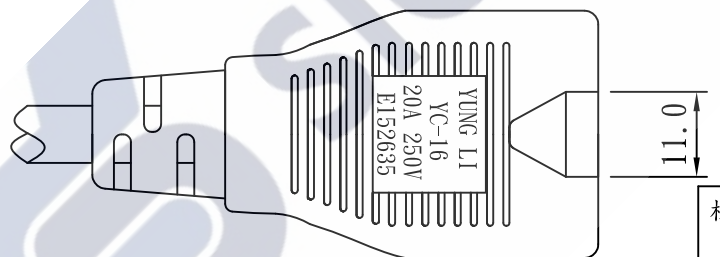
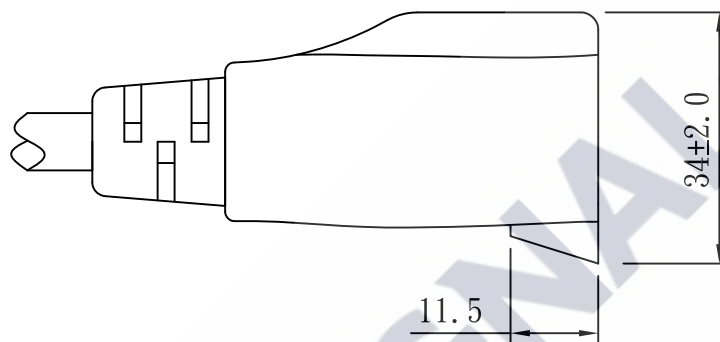
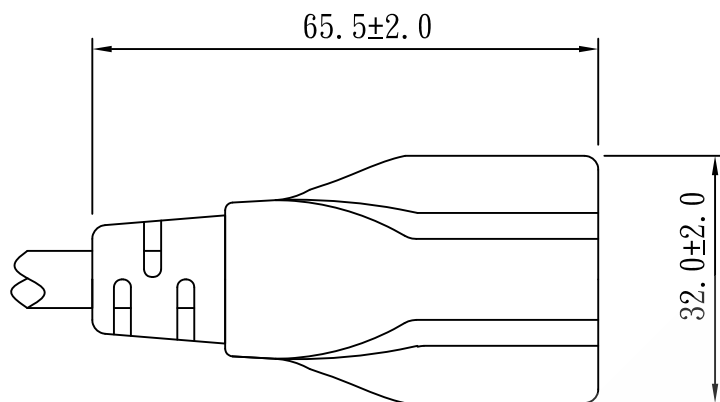
NEMA 6-20P



TOLERANCE >0±0.30 >1.0±0.50 >10.0±1.0 >20.0±2.0 Angle: ±1°	APPROVED		DATE		YUNG LI CO., LTD			
	CHECKED		DATE					
	DRAWN		DATE		CUSTOMER			
	TYPE	YP-16			P/N			
	DRAWING NO.	CY-P16U	REV	B	MATERIAL	P. V. C	UNIT	mm
				SCALE	1:1			



NEMA 6-20R



核准:	審核:	業務:	東莞永力電業有限公司 YUNG LI CO.,LTD				
一般寸法公差: >0±0.30 >1.0±0.50 >10.0±1.0 >20.0±2.0 Angle:±1°	制圖	黃方	日期	19.02.20	客戶		
	型號	YC-16(6-20R)		版本	C	單重	
	圖號	MC-U16000		材質	P.V.C	單位	mm
	比例	1:1					

YUNG LI CO., LTD

SPECIFICATION

Yung-Li	Style	PVC FLEXIBLE CORDS	Document No
2009.06.05			
Edition	Size	SJT 12/ 3C 105°C	Page
A			1/2

1. Standard : UL 62 UL 1581

2. Construction & Dimension

	Item	Specification
Conductor	Size	12AWG X 3C
	Material	Annealed Bare Copper
	Construction	65/ ϕ 0.254 \pm 0.003
Insulation	Material	PVC
	Minimum Average Thickness	0.76mm
	Minimum Thickness at any point	0.69mm
	Diameter	4.0 \pm 0.10
	Identification	Black White Green
Core Assembly	Core Twist	3-Core
	Filler	NA
	Assembly Pair	NA
Taping	Mylar Foil	NA
Shielded	A1-Mylar Foil	NA
Drain Wire	Material	NA
	Construction	NA
Jacket	Material	PVC
	Minimum Average Thickness	1.14mm
	Minimum Thickness at any point	0.91mm
	Overall Diameter(Approx)	11.2 \pm 0.2
	Color	Any Color

Marking :

YUNG LI (UL) E241374 SJT 3/C 12AWG(3.31mm²) 105°C 300V VW-1
 CSA 177323 SJT 3/C 12AWG(3.31mm²) 105°C 300V FT2

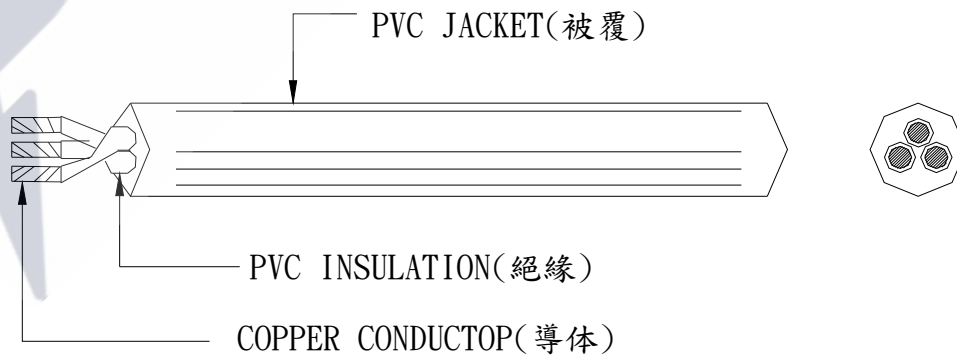
YUNG LI CO., LTD

SPECIFICATION

Yung-Li	Style	PVC FLEXIBLE CORDS	Document No
2009.06.05			
Edition	Size	SJT 12/ 3C 105°C	Page
A			2/2

3. Electrical & Physical Properties			
Item		Specification	
Rating Voltage		300V	
Insulation Resistance		$\geq 0.76\text{M}\Omega/\text{Km}$ 15.0°C Min	
Dielectric Strength		AC 2.0KV/1 min No Crack	
Spark Test		6.0KV/0.15 Sec	
Insulation	Unaged	Tensile Strength	1500 lbs/in ² min
		Elongation	100%Min
	Aged	Tensile Strength	Min 85%(136±1°C x168hrs)
		Elongation	Min 65%(136±1°C x168hrs)
Jacket	Unaged	Tensile Strength	1500 lbs/in ² min
		Elongation	100%Min
	Aged	Tensile Strength	Min 85%(136±1°C x168hrs)
		Elongation	Min 45%(136±1°C x168hrs)
Deformation Test		121±1°C m X 1hr $\leq 50\%$	
Cold Bend Test		-20°C x 4hr No Crack	
Heat Shock Test		121±1°C x 1hr No Crack	

Graph:



ELBZ7.E152635 - Cord Sets and Power-supply Cords Certified for Canada

Cord Sets and Power-supply Cords Certified for Canada

See General Information for Cord Sets and Power-supply Cords Certified for Canada

YUNG LI CO LTD

7F-12 NO 99 SEC 1 XINTAI 5TH RD
XIZHI DISTRICT
NEW TAIPEI, 22175 TAIWAN

Power-supply cords

E152635

Cat. No.	ANSI/NEMA WD6 Config	Cord AWG	Cord Type	Electrical Rating Amps V
YP-11	1-15	18/2	SPT-1, SPT-2, SPT-3, NISPT-2, SVT, SVTO, SJT, SJTW, SJTO, SJTOW (All TPE material), SPT-1, SPT-1W, NISPT-1, SPT-2, SPT-2W, NISPT-2, SPT-3, HPN, SVT, SVTO, SJT, SJTW, SJTO, SJTOW, SV, SVO, SJ, SJO, SJOW, SJOOW, EVT, EVJT, EVE, EVJE	7 or 10/125
		17/2	SVT, SVTO (All TPE material), SVT, SVTO, SV, SVO, SJ, SJO, SJOW, SJOOW, EVT, EVJT, EVE, EVJE	12/125
		16/2	SPT-2, SPT-3, NISPT-2, SVT, SVTO, SJT, SJTW, SJTO, SJTOW (All TPE material), SPT-2, SPT-2W, NISPT-2, SPT-3, SVT, SVTO, SJT, SJTW, SJTO, SJTOW, SV, SVO, SJ, SJO, SJOW, SJOOW, EVT, EVJT, EVE, EVJE	13/125
		16/2	HPN	15/125
		14/2	SPT-3, SJT, SJTW, SJTO, SJTOW (All TPE material), SPT-3, SJT, SJTW, SJTO, SJTOW, SJ, SJO, SJOW, SJOOW, EVT, EVJT, EVE, EVJE	15/125
YP-11W	1-15P	18/2	SPT-1, SPT-2, SPT-3, NISPT-2, SVT, SVTO, SJT, SJTW, SJTO, SJTOW (All TPE material), SPT-1, SPT-1W, NISPT-1, SPT-2, SPT-2W, NISPT-2, SPT-3, HPN, SVT, SVTO, SJT, SJTW, , SJTO, SJTOW, SV, SVO, SJ, SJO, SJOW, SJOOW, EVT, EVJT, EVE, EVJE	7 or 10/125
		17/2	SVT, SVTO (All TPE material), SVT, SVTO, SV, SVO, SJ, SJO, SJOW, SJOOW, EVT, EVJT, EVE, EVJE	12/125
		16/2	SPT-2, SPT-3, NISPT-2, SVT, SVTO, SJT, SJTW, SJTO, SJTOW (All TPE material), SPT-2, SPT-2W, NISPT-2, SPT-3, SVT, SVTO, SJT, SJTW, SJTO, SJTOW, SV, SVO, SJ, SJO, SJOW, SJOOW, EVT, EVJT, EVE, EVJE	13/125
		16/2	HPN	15/125
		14/2	SPT-3, SJT, SJTW, SJTO, SJTOW (All TPE material), SPT-3, SJT, SJTW, SJTO, SJTOW, SJ, SJO, SJOW, SJOOW, EVT, EVJT, EVE, EVJE	15/125

		12/3	SJT, SJTW, SJTO, SJTOW, ST, STW, STOW (All TPE material), SJT, SJTW, SJTO, SJTOW, ST, STW, STOW, SO, SOW, SOOW, EVT, EVJT, EVE, EVJE	15/125
YP-12L(A.C.1)	5-15	18/3	NISPT-2 (TPE), NISPT-2, EVT, EVJT, EVE, EVJE	7 or 10/125
		16/3	NISPT-2 (TPE), NISPT-2, EVT, EVJT, EVE, EVJE	13/125
YP-16	6-20	18/3	SVT, SVT Shielded, SVTO, SJT, SJT Shielded, SJTW, SJTW Shielded, SJTO, SJTOW, ST, STW, STOW, SPT-2, SPT-3 (All TPE material), SVT, SVT Shielded, SVTO, SJT, SJT Shielded, SJTW, SJTW Shielded, SJTO, SJTOW, ST, STW, STOW, SV, SVO, SJ, SJO, SJOW, SJOOW, S, SO, SOW, SOOW, SPT-2, SPT-3, EVT, EVJT, EVE, EVJE	2.5 or 10/250
		17/3	SVT, SVTO (All TPE material), SVT, SVTO, SV, SVO, EVT, EVJT	12/250
		16/3	SVT, SVTO, SJT, SJTW, SJTO, SJTOW, ST, STW, STOW, SPT-2, SPT-3 (All TPE material), SVT, SVTO, SJT, SJTW, SJTO, SJTOW, ST, STW, STOW, SV, SVO, SJ, SJO, SJOW, SJOOW, S, SO, SOW, SOOW, SPT-2, SPT-3, EVT, EVJT, EVE, EVJE	13/250
		14/3	SJT, SJTW, SJTO, SJTOW, ST, STW, STOW, SPT-3 (All TPE material), SJT, SJTW, SJTO, SJTOW, ST, STW, STOW, SJ, SJO, SJOW, SJOOW, S, SO, SOW, SOOW, SPT-3, EVT, EVJT, EVE, EVJE	18/250
		12/3	SJT, SJTW, SJTO, SJTOW, ST, STW, STOW, SPT-3 (All TPE material), SJT, SJTW, SJTO, SJTOW, ST, STW, STOW, SJ, SJO, SJOW, SJOOW, S, SO, SOW, SOOW, SPT-3, EVT, EVJT, EVE, EVJE	20/250
YP-16L	6-20	18/3	SJT, SJTW, SJTO, SJTOW, ST, STW, STOW (All TPE material), SJT, SJTW, SJTO, SJTOW, ST, STW, STOW, SO, SOW, SOOW, EVT, EVJT, EVE, EVJE	2.5 or 10/250
		16/3	SJT, SJTW, SJTO, SJTOW, ST, STW, STOW (All TPE material), SJT, SJTW, SJTO, SJTOW, ST, STW, STOW, SO, SOW, SOOW, EVT, EVJT, EVE, EVJE	13/250
		14/3	SJT, SJTW, SJTO, SJTOW, ST, STW, STOW, SPT-3 (All TPE material), SJT, SJTW, SJTO, SJTOW, ST, STW, STOW, SO, SOW, SOOW, SPT-3, EVT, EVJT, EVE, EVJE	18/250
		12/3	SJT, SJTW, SJTO, SJTOW, ST, STW, STOW, SPT-3 (All TPE material), SJT, SJTW, SJTO, SJTOW, ST, STW, STOW, SO, SOW, SOOW, SPT-3, EVT, EVJT, EVE, EVJE	20/250
YP-17	5-20	18/3	SVT, SVT Shielded, SVTO, SJT, SJT Shielded, SJTW, SJTW Shielded, SJTO, SJTOW, ST, STW, STOW, SPT-2, SPT-3 (All TPE material), SVT, SVT Shielded, SVTO, SJT, SJT Shielded, SJTW, SJTW Shielded, SJTO, SJTOW, ST, STW, STOW, SV, SVO, SJ, SJO, SJOW, SJOOW, S, SO, SOW, SOOW, SPT-2, SPT-3, EVT, EVJT, EVE, EVJE	7 or 10/125
		17/3	SVT, SVTO (All TPE material), SVT, SVTO, SV, SVO, EVT, EVJT, EVE, EVJE	12/125
		16/3	SVT, SVTO, SJT, SJTW, SJTO, SJTOW, ST, STW, STOW, SPT-2, SPT-3 (All TPE material), SVT, SVTO, SJT, SJTW, SJTO, SJTOW, ST, STW, STOW, SV, SVO, SJ, SJO, SJOW, SJOOW, S, SO, SOW, SOOW, SPT-2, SPT-3, EVT, EVJT, EVE, EVJE	13/125

ELECTRICAL RATING (CONT'D):

Cat. No.	Config.	Cord, AWG	Current Amps	Volts	CNU	Outdoor Use (Y/N)
YC-16	6-20	16,14,12	13,18,20	250	Yes	N
YC-17	5-20	16,14,12	13,18,20	125	Yes	N
YC-19	6-15	16,14,12	13,15,15	250	Yes	N
YC-11G	IEC C17	18,16	10,13	125or250	Yes	N
YC-11GL	IEC C17	18,16	10,13	125or250	Yes	N
YC-12G	IEC C13	18,16	10,13	125or250	Yes	N
YC-12GL, YC-12GLR	IEC C13	18,16	10,13	125or250	Yes	N
YC-12K	IEC C13	18,17,16,14	10,12,13,15	125or250	Yes	N
YC-54	L6-15	18,16,14,12	10,13,15,15	250	Yes	N
YC-52, YC-52A	L6-30	14,12,10,8/3	18,25,30,30	250	Yes	N
YC-55, YC-55A	L5-30	14,12,10,8/3	18,25,30,30	125	Yes	N
YC-77, YC-77A	L14-30	14,12,10,8/4	18,25,30,30	125/250	Yes	N
YC-79	L15-30	14,12,10,8/4	15,20,25,30	250, 3Ø	Yes	N
YC-18A	IEC C19	16,14,14,12,12/3	13,15,16,16,20	125 or 250	Yes	N
YC-15A	5-15	16,14,12	13,15,15	125	Yes	N
YC-05B	5-15	16,14,12	13,15,15	125	Yes	N
YC-05C	5-15	16,14,12	13,15,15	125	Yes	N
YC-76	L14-20	16,14,12,10	13,15,20,20	125/250	Yes	N
YC-78	L15-20	16,14,12,10	13,15,20,20	250, 3Ø	Yes	N

CAT. NO. YC-16 - FIG. 17

General - The general design, shape and arrangement shall be as illustrated except where variations are specifically described. The configuration is identical to NEMA 6-20, see Sec. Gen. for dimensional details.

Body - Molded PVC, R/C (QMFZ2/8), Type Flex 600 manufactured by PURE FRIEND BUSINESS ENTERPRISE CORP. See ILL. 57 for body dimensional details.

Alternate - Same as above except for Molded PVC, Cat. No. CS-9731-WB or CS-9731-WBS, manufactured by CHIA SHIN ENTERPRISES CO LTD.

Alternate - Same as above except for Molded PVC, Cat. No. CNI-94V0, manufacturer by JIA-NIEN INDUSTRIAL CO LTD.

Inner Body - Molded PBT, R/C (QMFZ2/8), Type 1104G-30 manufactured by TORAY INDUSTRIES INC. Minimum thickness 0.71 mm. See ILLs. 58 and 59 for dimensional details.

Line Contact - Copper alloy, plating optional, Cat. No. WS-567 manufactured by WAI SHING METAL PRODUCTS LIMITED. Crimp to conductor 4.0 mm. See ILL. 60 for dimensional details.

Alternate Contact - Copper alloy, plating optional, Cat. No. 98752 manufactured by GEM Terminal Ind. Co., Ltd. Crimp to conductor 4.0 mm. See ILL. 15 for dimensional details.

Neutral Contact - Copper alloy, plating optional, Cat. No. T-132 manufactured by WAI SHING METAL PRODUCTS LIMITED. Crimp to conductor 4.5 mm. See ILL. 61 for dimensional details.

Grounding Contact - D-Shaped, copper alloy, plating optional, Cat. No. 98575 manufactured by GEM Terminal Ind. Co., Ltd. Crimp to conductor 4.2 mm. See ILL. 51 for dimensional details.

Alternate Grounding Contact - D-Shaped, copper alloy, plating optional, Cat. No. T-067 manufactured by WAI SHING METAL PRODUCTS LIMITED. Crimp to conductor 4.0 mm. See ILL. 62 for dimensional details.

Illuminator (Optional) - Neon Lamp, one provided, shall be located within fitting. One lead of the neon lamp is connected across the neutral contact, the other lead is connected in series with a minimum 30 K ohm resistor which is in turn connected to the line contact.

Alternate (Optional) - Same as above except for LED, one provided, connected in series with a minimum 27 K ohm resistor which is in turn connected to the line contact.

Cord - Flexible cord, Listed (ZJCZ/7). See the following table for application details.

Cord Size	Cord Type	USL	CNL
16/3 AWG	SPT-3, SJT, SJTO, SJTW, SJTOW, ST, STW, STOW, S, SO, SOW, SOOW, SJ, SJO, SJOW, SJOOW	YES	YES
	SPE-3, SJE, SJEW, SJEO, SJEOW, SE, SEW, SEOW, SPE-3-HF, SJE-HF, SJEW-HF, SJEO-HF, SJEOW-HF, SE-HF, SEW-HF, SEOW-HF	YES	NO
	SPT-3, SJT, SJTO, SJTW, SJTOW, ST, STW, STOW (All TPE material)	NO	YES
14/3 AWG	SPT-3, SJT, SJTO, SJTW, SJTOW, ST, STW, STOW, S, SO, SOW, SOOW, SJ, SJO, SJOW, SJOOW	YES	YES
	SPE-3, SJE, SJEW, SJEO, SJEOW, SE, SEW, SEOW, SPE-3-HF, SJE-HF, SJEW-HF, SJEO-HF, SJEOW-HF, SE-HF, SEW-HF, SEOW-HF	YES	NO
	SPT-3, SJT, SJTO, SJTW, SJTOW, ST, STW, STOW (All TPE material)	NO	YES
12/3 AWG	SPT-3, SJT, SJTO, SJTW, SJTOW, ST, STW, STOW, S, SO, SOW, SOOW, SJ, SJO, SJOW, SJOOW	YES	YES
	SPE-3, SJE, SJEW, SJEO, SJEOW, SE, SEW, SEOW, SPE-3-HF, SJE-HF, SJEW-HF, SJEO-HF, SJEOW-HF, SE-HF, SEW-HF, SEOW-HF	YES	NO
	SPT-3, SJT, SJTO, SJTW, SJTOW, ST, STW, STOW (All TPE material)	NO	YES

Marking - See Sec. Gen.

CAT. NO. YC-17 - NOT SHOWN

General - Cat. No. YC-17 is identical to Cat. No. YC-16, except for the following items. The configuration is identical to NEMA 5-20, see Sec. Gen. for dimensional details.

Body - Molded PVC, R/C (QMFZ2/8), Type Flex 600 manufactured by PURE FRIEND BUSINESS ENTERPRISE CORP. See ILL. 63 for dimensional details.

Alternate - Same as above except for Molded PVC, Cat. No. CS-9731-WB or CS-9731-WBS, manufactured by CHIA SHIN ENTERPRISES CO LTD.

Alternate - Same as above except for Molded PVC, Cat. No. CNI-94V0, manufacturer by JIA-NIEN INDUSTRIAL CO LTD.

Inner Body - Molded PBT, R/C (QMFZ2/8), Type 1104G-30 manufactured by TORAY INDUSTRIES INC. Minimum thickness 0.71 mm. See ILLs. 64 and 65 for dimensional details.

CAT. NO. YC-19 - NOT SHOWN

General - Cat. No. YC-19 is identical to Cat. No. YC-16, except for the following items. The configuration is identical to NEMA 6-15, see Sec. Gen. for dimensional details.

Body - Molded PVC, R/C (QMFZ2/8), Type Flex 600 manufactured by PURE FRIEND BUSINESS ENTERPRISE CORP. See ILL. 66 for dimensional details.

Alternate - Same as above except for Molded PVC, Cat. No. CS-9731-WB or CS-9731-WBS, manufactured by CHIA SHIN ENTERPRISES CO LTD.

Alternate - Same as above except for Molded PVC, Cat. No. CNI-94V0, manufacturer by JIA-NIEN INDUSTRIAL CO LTD.

Inner Body - Molded PBT, R/C (QMFZ2/8), Type 1104G-30 manufactured by TORAY INDUSTRIES INC. Minimum thickness 0.71 mm. See ILLs. 67 and 68 for dimensional details.

Contact - Copper alloy, plating optional, Cat. No. WS-567 manufactured by WAI SHING METAL PRODUCTS LIMITED. Crimp to conductor 4.0 mm. See ILL. 60 for dimensional details.

Alternate Contact - Copper alloy, plating optional, Cat. No. 98752 manufactured by GEM Terminal Ind. Co., Ltd. Crimp to conductor 4.0 mm. See ILL. 15 for dimensional details.

**ZJCZ.E241374**
Flexible Cord[Page Bottom](#)**Flexible Cord**[See General Information for Flexible Cord](#)**YUNG LI CO LTD**

E241374

7F-12 NO 99 SEC 1 XINTAI 5TH RD
XIZHI DISTRICT
NEW TAIPEI, 22175 TAIWAN

Decorative cord, Type(s) SPT-1W, SPT-2W**Dryer and range cord**, Type(s) SRDT**Jacketed cord**, Type(s) S, SE, SE-HF, SJ, SJE, SJE-HF, SJO, SJO, SJOOW, SJOW, SJT, SJT-B, SJTO, SJTOW, SJTW, SO, SOO, SOOW, SOW, ST, ST-B, STO, STOW, STW, SVE, SVE-HF, SVT, SVT-B, SVTO**Parallel cord**, Type(s) NISPE-1, NISPE-1-HF, NISPE-2, NISPE-2-HF, NISPT-1, NISPT-2, SPE-1, SPE-1-HF, SPE-2, SPE-2-HF, SPE-3, SPE-3-HF, SPT-1, SPT-2, SPT-3[Last Updated](#) on 2016-03-07[Questions?](#)[Print this page](#)[Terms of Use](#)[Page Top](#)

◆ 2016 UL LLC

The appearance of a company's name or product in this database does not in itself assure that products so identified have been manufactured under UL's Follow-Up Service. Only those products bearing the UL Mark should be considered to be Certified and covered under UL's Follow-Up Service. Always look for the Mark on the product.

UL permits the reproduction of the material contained in the Online Certification Directory subject to the following conditions: 1. The Guide Information, Assemblies, Constructions, Designs, Systems, and/or Certifications (files) must be presented in their entirety and in a non-misleading manner, without any manipulation of the data (or drawings). 2. The statement "Reprinted from the Online Certifications Directory with permission from UL" must appear adjacent to the extracted material. In addition, the reprinted material must include a copyright notice in the following format: "© 2016 UL LLC".



Certificate of Compliance

Certificate: 1594794 (LL 76398)

Master Contract: 177323

Project: 2616524

Date Issued: April 3, 2013

Issued to: Yung Li Company Ltd.

1F No 10 Lane 235 Pao Chiao Rd
Hsin Tien City
Taipei Hsien,
Taiwan
Attention: Wendy Wu

The products listed below are eligible to bear the CSA Mark shown



Kim Nguyen

Issued by: Kim Nguyen, P. Eng.

PRODUCTS

CLASS 5831 01 - WIRES - Flexible Cord

Types SPT-1, NISPT-1, SPT-2, NISPT-2, SPT-3, SVT, SVTO, SJT, SJTW, SJTO, SJTOW, ST, STW, STO, STOW with PVC insulation and jacket, rated 60C, 75C, 90C and 105C, FT1, FT2, VW-1.

APPLICABLE REQUIREMENTS

CSA C22.2 No 49 - Flexible Cords and Cables