

# 東莞永力電業有限公司

YUNG LI CO., LTD

Da Pu Industrial Zone, Gang Zi, Changping Town,  
Dong Guan City, Guangdong 523571 China.P.R.C

TEL:0769-83396797~8

FAX:0769-83396796

E-mail: sales@yung-li.com

Description: YP-12/YC-05B

Customer: SIGNAL+POWER

Parts No. : P-12C05B-15SB

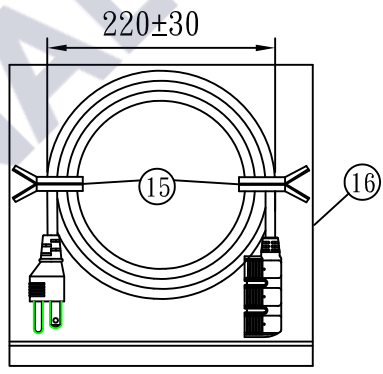
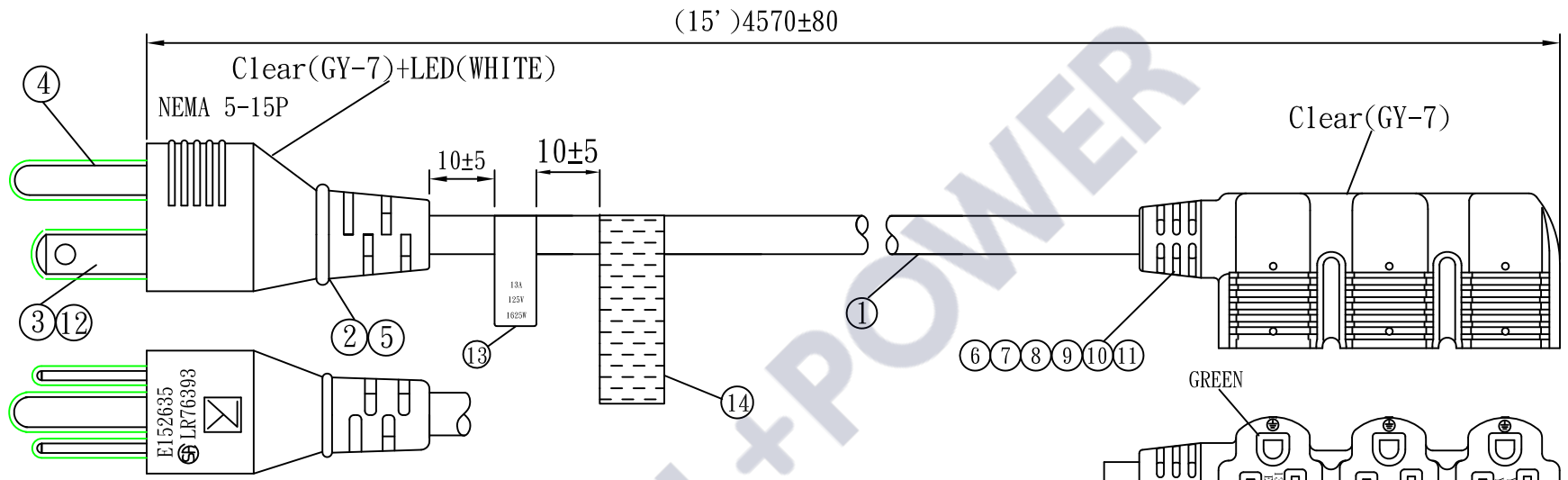
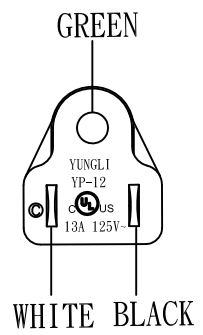
Draw No. :

## REVISION RECORD

1		
2		
3		
4		
5		

YUNG LI	
CHECKED	PREPARED BY

CUSTOMER	APPROVED

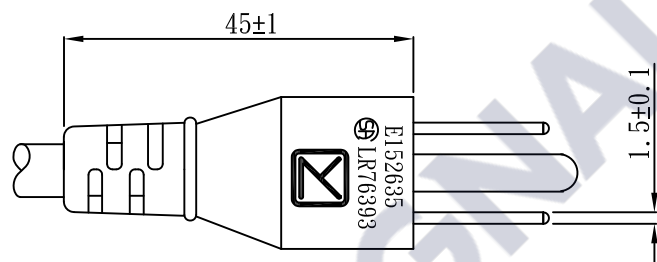
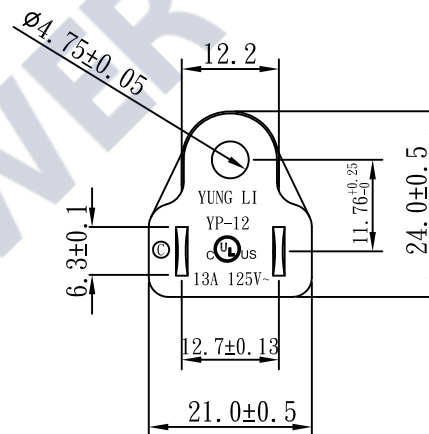
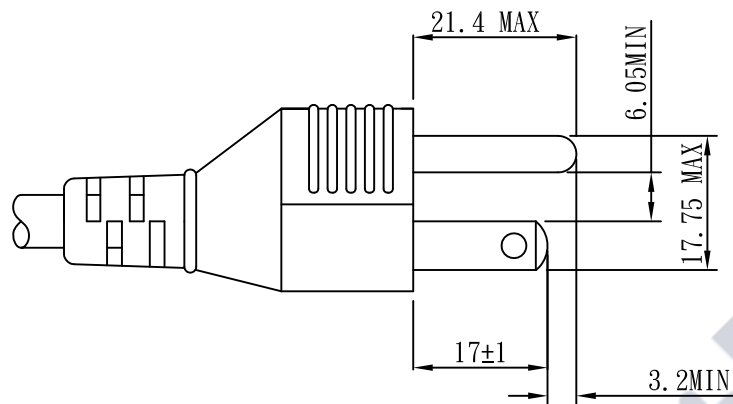


NO.	SPECIFICATION	QTY	REMARK
1	SJT 16/3C 105°C SPARKLE BLUE	1PC	
2	YP-12 PVC PLASTIC 35P Clear(GY-7)	19g/PC	
3	TERMINAL:98675BS-1	2PCS	
4	∅4.75 TERMINAL:98475	1PC	
5	YP-12 INNER BODY	1PC	
6	YC-05B PVC PLASTIC 35P Clear(GY-7)	150g/PC	
7	"D" TER:XDOP001507/C	2PCS	
8	YC-05B INNER BODY	2PCS	
9	YC-05B TER:XDOP001508/B	2PCS	
10	YC-05B TER:XDOW001194/B	2PCS	
11	Stainless steel beads: ∅4.5	4PCS	
12	SLEEVE	1PC	
13	UL LABEL: 13A 125V	1PC	
14	LABEL: 230*36mm	1PC	
15	MINI TIE:L=180mm WHITE	2PCS	
16	LOCK BAG:300x250x0.04mm	1PC	

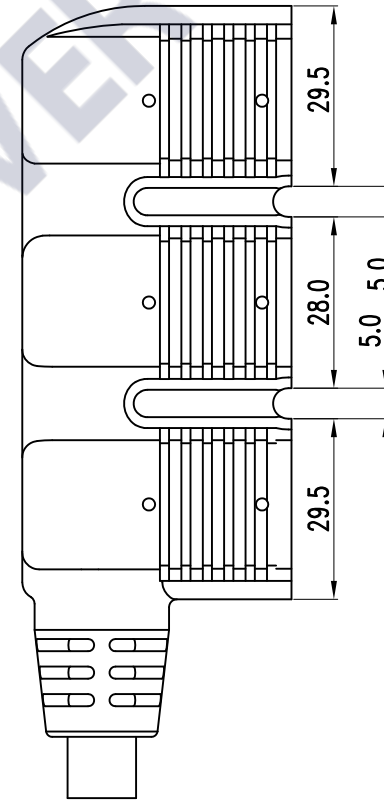
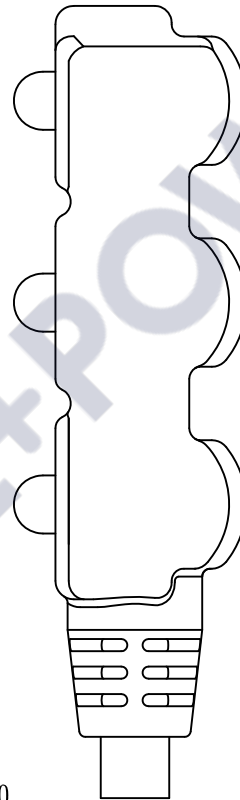
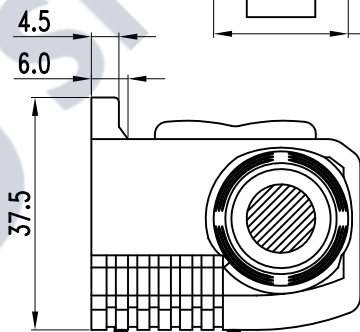
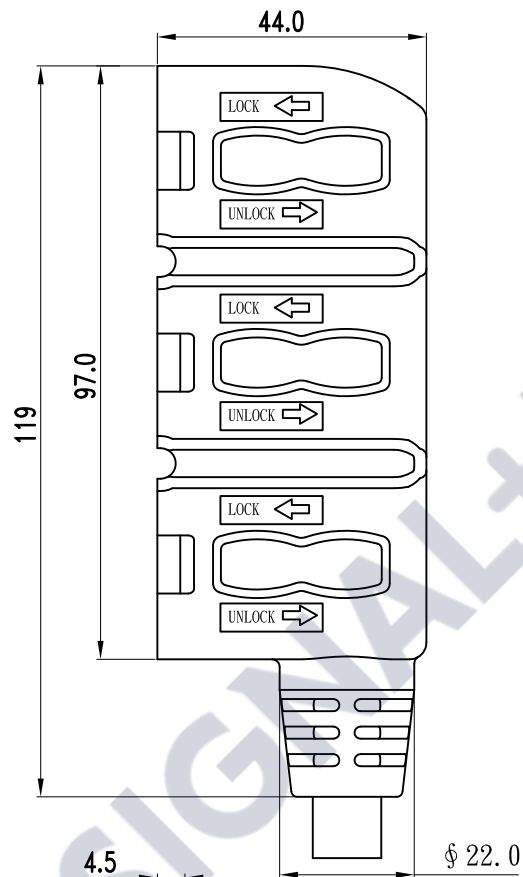
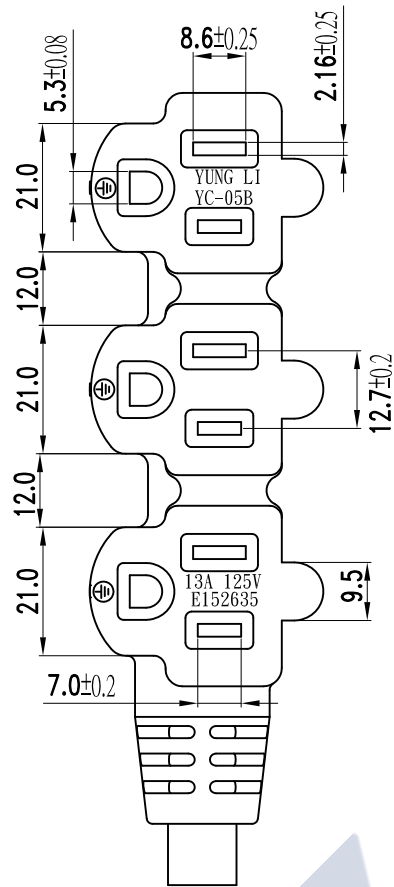
TOLERANCE >0±0.30 >1.0±0.50 >10.0±1.0 >20.0±2.0 Angle: ±1°	APPROVED		DATE		<b>SIGNAL+POWER</b>			
	CHECKED		DATE					
	DRAWN		DATE		CUSTOMER			
	TYPE	YP-12/YC-05B			P/N	P-12C05B-15SB		
	DRAWING NO.	CY-U7636	REV	B	MATERIAL	P. V. C	UNIT	mm
				SCALE				



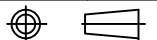
NEMA 5-15P



TOLERANCE >0±0.30 >1.0±0.50 >10.0±1.0 >20.0±2.0 Angle: ±1°	APPROVED		DATE	YUNG LI CO., LTD			
	CHECKED		DATE				
	DRAWN		DATE				
	TYPE	YP-12			P/N		
	DRAWING NO.	CY-P12U	REV	B	MATERIAL	P. V. C	UNIT
				SCALE	1:1		




  
 NEMA 5-15R

TOLERANCE >0±0.30 >1.0±0.50 >10.0±1.0 >20.0±2.0 Angle: ±1°	APPROVED		DATE		YUNG LI CO., LTD.			
	CHECKED		DATE					
	DRAWN	SUKI	DATE	13.03.18	P/N			
	TYPE	YC-05B			MATERIAL	P.V.C	UNIT	mm
DRAWING NO				SCALE	1:1			

# YUNG LI CO., LTD

## SPECIFICATION

Yung-Li	Style	PVC FLEXIBLE CORDS	Document No
2007.8.02			
Edition	Size	<b>SJT 16/ 3C 105°C</b>	Page
A			1/2

1. Standard : UL 62 UL 1581

### 2. Construction & Dimension

	Item	Specification
Conductor	Size	16AWG X 3C
	Material	Annealed Bare Copper
	Construction	26/ $\phi$ 0.25±0.008
Insulation	Material	PVC
	Minimum Average Thickness	0.76mm
	Minimum Thickness at any point	0.69mm
	Diameter	3.2 ± 0.10
	Identification	Black White Green
Core Assembly	Core Twist	3-Core
	Filler	3-Cotton 10000D
	Assembly Pair	NA
Taping	Mylar Foil	NA
Shielded	A1-Mylar Foil	NA
Drain Wire	Material	NA
	Construction	NA
Jacket	Material	PVC
	Minimum Average Thickness	0.76mm
	Minimum Thickness at any point	0.61mm
	Overall Diameter(Approx)	8.4± 0.2
	Color	Any Color

### Marking :

YUNG LI (UL) E241374 SJT 3/C 16AWG(1.31mm<sup>2</sup>) 105°C 300V VW-1  
 CSA 177323 SJT 3/C 16AWG(1.31mm<sup>2</sup>) 105°C 300V FT2

# YUNG LI CO., LTD

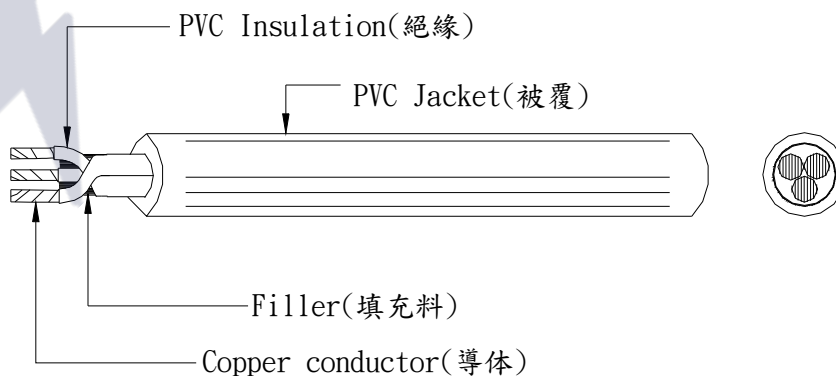
## SPECIFICATION

Yung-Li	Style	PVC FLEXIBLE CORDS	Document No
2007.8.02			
Edition	Size	<b>SJT 16/ 3C 105°C</b>	Page
A			2/2

### 3. Electrical & Physical Properties

Item	Specification		
Rating Voltage	300V		
Insulation Resistance	$\geq 0.76\text{M}\Omega/\text{Km}$ 15.0°C Min		
Dielectric Strength	AC 2.0KV/1 min No Crack		
Resistance of cond.	13.7 $\Omega$ .Km (20°C)		
Spark Test	6.0KV/0.15 Sec		
Insulation	Unaged	Tensile Strength	1500 lbs/in2 min
		Elongation	100%Min
	Aged	Tensile Strength	Min 85%(136±1°C x168hrs)
		Elongation	Min 65%(136±1°C x168hrs)
Jacket	Unaged	Tensile Strength	1500 lbs/in2 min
		Elongation	100%Min
	Aged	Tensile Strength	Min 85%(136±1°C x168hrs)
		Elongation	Min 45%(136±1°C x168hrs)
Deformation Test	121±1°C m X 1hr $\leq 50\%$		
Cold Bend Test	-20°C x 4hr No Crack		
Heat Shock Test	121±1°C x 1hr No Crack		

### Graph:



# ELBZ7.E152635 - CORD SETS AND POWER-SUPPLY CORDS CERTIFIED FOR CANADA

## Cord Sets and Power-supply Cords Certified for Canada

See General Information for Cord Sets and Power-supply Cords Certified for Canada

### YUNG LI CO LTD

7F-12 NO 99 SEC 1 XINTAI 5TH RD  
XIZHI DISTRICT  
NEW TAIPEI, 22175 TAIWAN

E152635

### Power-supply cords

Cat. No.	ANSI/NEMA WD6 Config	Cord AWG	Cord Type	Electrical Rating Amps V
YP-11	1-15	18/2	SPT-1, SPT-2, SPT-3, NISPT-2, SVT, SVTO, SJT, SJTW, SJTO, SJTOW (All TPE material), SPT-1, SPT-1W, NISPT-1, SPT-2, SPT-2W, NISPT-2, SPT-3, HPN, SVT, SVTO, SJT, SJTW, SJTO, SJTOW, SV, SVO, SJ, SJO, SJOW, SJOOW, EVT, EVJT, EVE, EVJE	10/125
		17/2	SVT, SVTO (All TPE material), SVT, SVTO, SV, SVO, SJ, SJO, SJOW, SJOOW, EVT, EVJT, EVE, EVJE	12/125
		16/2	SPT-2, SPT-3, NISPT-2, SVT, SVTO, SJT, SJTW, SJTO, SJTOW (All TPE material), SPT-2, SPT-2W, NISPT-2, SPT-3, SVT, SVTO, SJT, SJTW, SJTO, SJTOW, SV, SVO, SJ, SJO, SJOW, SJOOW, EVT, EVJT, EVE, EVJE	13/125
		16/2	HPN	15/125
		14/2	SPT-3, SJT, SJTW, SJTO, SJTOW (All TPE material), SPT-3, SJT, SJTW, SJTO, SJTOW, SJ, SJO, SJOW, SJOOW, EVT, EVJT, EVE, EVJE	15/125
YP-11W	1-15P	18/2	SPT-1, SPT-2, SPT-3, NISPT-2, SVT, SVTO, SJT, SJTW, SJTO, SJTOW (All TPE material), SPT-1, SPT-1W, NISPT-1, SPT-2, SPT-2W, NISPT-2, SPT-3, HPN, SVT, SVTO, SJT, SJTW, , SJTO, SJTOW, SV, SVO, SJ, SJO, SJOW, SJOOW, EVT, EVJT, EVE, EVJE	10/125
		17/2	SVT, SVTO (All TPE material), SVT, SVTO, SV, SVO, SJ, SJO, SJOW, SJOOW, EVT, EVJT, EVE, EVJE	12/125

		16/2	SPT-2, SPT-3, NISPT-2, SVT, SVTO, SJT, SJTW, SJTO, SJTOW (All TPE material), SPT-2, SPT-2W, NISPT-2, SPT-3, SVT, SVTO, SJT, SJTW, SJTO, SJTOW, SV, SVO, SJ, SJO, SJOW, SJOOW, EVT, EVJT, EVE, EVJE	13/125
		16/2	HPN	15/125
		14/2	SPT-3, SJT, SJTW, SJTO, SJTOW (All TPE material), SPT-3, SJT, SJTW, SJTO, SJTOW, SJ, SJO, SJOW, SJOOW, EVT, EVJT, EVE, EVJE	15/125
YP-11C	1-15	18/2	NISPT-2 (TPE), NISPT-1, NISPT-2, EVT, EVJT, EVE, EVJE	10/125
YP-12	5-15	18/3	SVT, SJT, SJTW, SJTO, SJTOW, ST, STW, STOW (Shielded and Non-shielded for all types), SVTO, SPT-2, SPT-3 (All TPE material), SVT, SVT Shielded, SVTO, SJT, SJT Shielded, SJTW, SJTW Shielded, SJTO, SJTO Shielded, SJTOW, SJTOW Shielded, SJTOOW, ST, ST Shielded, STW, STW Shielded, STOW, STOW Shielded, SV, SVO, SJ, SJ Shielded, SJO, SJO Shielded, SJO, SJO Shielded, SJOW, SJOW Shielded, SJOOW, SJOOW Shielded, S, SO, SO Shielded, SOO, SOO Shielded, SOW, SOW Shielded, SOOW, SOOW Shielded, SPT-2, SPT-3, EVT, EVJT, EVE, EVJE	10/125
		17/3	SVT, SVTO (All TPE material), SVT, SVTO, SV, SVO, EVT, EVJT, EVE, EVJE	12/125
		16/3	SVT, SJT, SJTW, SJTO, SJTOW, ST, STW, STOW (Shielded and Non-shielded for all types), SVTO, SPT-2, SPT-3 (All TPE material), SVT, SVT Shielded, SVTO, SJT, SJT Shielded, SJTW, SJTW Shielded, SJTO, SJTO Shielded, SJTOW, SJTOW Shielded, SJTOOW, ST, ST Shielded, STW, STW Shielded, STOW, STOW Shielded, SV, SVO, SJ, SJ Shielded, SJO, SJO Shielded, SJO, SJO Shielded, SJOW, SJOW Shielded, SJOOW, SJOOW Shielded, S, SO, SO Shielded, SOO, SOO Shielded, SOW, SOW Shielded, SOOW, SOOW Shielded, SPT-2, SPT-3, EVT, EVJT, EVE, EVJE	13/125
		14/3	SJT, SJTW, SJTO, SJTOW, ST, STW, STOW (Shielded and Non-shielded for all types), SPT-3 (All TPE material), SJT, SJT Shielded, SJTW, SJTW Shielded, SJTO, SJTO Shielded, SJTOW, SJTOW Shielded, SJTOOW, ST, ST Shielded, STW, STW Shielded, STOW, STOW Shielded, SJ, SJ Shielded, SJO, SJO Shielded, SJO, SJO Shielded, SJOW, SJOW Shielded, SJOOW, SJOOW Shielded, S, SO, SO Shielded, SOO, SOO Shielded, SOW, SOW Shielded, SOOW, SOOW Shielded, SPT-3, EVT, EVJT, EVE, EVJE, SJT-B	15/125



		12/3	SJT, SJTW, SJTO, SJTOW, ST, STW, STOW (Shielded and Non-shielded for all types), SPT-3 (All TPE material), SJT, SJT Shielded, SJTW, SJTW Shielded, SJTO, SJTO Shielded, SJTOW, SJTOW Shielded, SJTOOW, ST, ST Shielded, STW, STW Shielded, STOW, STOW Shielded, SJ, SJ Shielded, SJO, SJO Shielded, SJOOW, SJOOW Shielded, SJOW, SJOW Shielded, SJOOW, SJOOW Shielded, S, SO, SO Shielded, SOO, SOO Shielded, SOW, SOW Shielded, SOOW, SOOW Shielded, SPT-3, EVT, EVJT, EVE, EVJE	15/125
YP-12L	5-15	18/3	SVT, SVT shielded, SJT, SJTW, SJTO, SJTOW, ST, STW, STOW, SPT-2, SPT-3 (All TPE material), SVT, SVT shielded, SJT, SJTW, SJTO, SJTOW, ST, STW, STOW, SO, SOW, SOOW, SPT-2, SPT-3, EVT, EVJT, EVE, EVJE	10/125
		16/3	SVT, SJT, SJTW, SJTO, SJTOW, ST, STW, STOW, SPT-2, SPT-3 (All TPE material), SVT, SJT, SJTW, SJTO, SJTOW, ST, STW, STOW, SO, SOW, SOOW, SPT-2, SPT-3, EVT, EVJT, EVE, EVJE	13/125
		14/3	SJT, SJTW, SJTO, SJTOW, ST, STW, STOW, SPT-3 (All TPE material), SJT, SJTW, SJTO, SJTOW, ST, STW, STOW, SO, SOW, SOOW, SPT-3, EVT, EVJT, EVE, EVJE	15/125
		12/3	SJT, SJTW, SJTO, SJTOW, ST, STW, STOW (All TPE material), SJT, SJTW, SJTO, SJTOW, ST, STW, STOW, SO, SOW, SOOW, EVT, EVJT, EVE, EVJE	15/125
YP-12L(A.C.1)	5-15	18/3	NISPT-2 (TPE), NISPT-2, EVT, EVJT, EVE, EVJE	10/125
		16/3	NISPT-2 (TPE), NISPT-2, EVT, EVJT, EVE, EVJE	13/125
YP-16	6-20	18/3	SVT, SVT Shielded, SVTO, SJT, SJT Shielded, SJTW, SJTW Shielded, SJTO, SJTOW, ST, STW, STOW, SPT-2, SPT-3 (All TPE material), SVT, SVT Shielded, SVTO, SJT, SJT Shielded, SJTW, SJTW Shielded, SJTO, SJTOW, ST, STW, STOW, SV, SVO, SJ, SJO, SJOW, SJOOW, S, SO, SOW, SOOW, SPT-2, SPT-3, EVT, EVJT, EVE, EVJE	10/250
		17/3	SVT, SVTO (All TPE material), SVT, SVTO, SV, SVO, EVT, EVJT	12/250
		16/3	SVT, SVTO, SJT, SJTW, SJTO, SJTOW, ST, STW, STOW, SPT-2, SPT-3 (All TPE material), SVT, SVTO, SJT, SJTW, SJTO, SJTOW, ST, STW, STOW, SV, SVO, SJ, SJO, SJOW, SJOOW, S, SO, SOW, SOOW, SPT-2, SPT-3, EVT, EVJT, EVE, EVJE	13/250
		14/3	SJT, SJTW, SJTO, SJTOW, ST, STW, STOW, SPT-3 (All TPE material), SJT, SJTW, SJTO, SJTOW, ST, STW, STOW, SJ, SJO, SJOW, SJOOW, S, SO, SOW, SOOW, SPT-3, EVT, EVJT, EVE, EVJE	18/250
		12/3	SJT, SJTW, SJTO, SJTOW, ST, STW, STOW, SPT-3 (All TPE material), SJT, SJTW, SJTO, SJTOW, ST, STW, STOW, SJ, SJO, SJOW, SJOOW, S, SO, SOW, SOOW, SPT-3, EVT, EVJT, EVE, EVJE	20/250



# Certificate of Compliance

**Certificate:** 1147855 (LR 76393)

**Master Contract:** 177323

**Project:** 70057581

**Date Issued:** March 1, 2016

**Issued to:** Yung Li Company Ltd.  
 1F No 10 Lane 235 Pao Chiao Rd  
 Hsin Tien City  
 Taipei Hsien,  
 TAIWAN  
 Attention: W.T. Lai

*The products listed below are eligible to bear the CSA Mark shown*



**Issued by:** Wenwen (Vivian) Zhao  
 Wenwen (Vivian) Zhao

## **PRODUCTS**

CLASS - C584202 - CORD SETS-Power Supply Cords

Power supply cord(s) consisting of the following plug caps moulded onto flexible cords as listed:

Cat/Model	Configuration	Rating	AWG	Flexible Cord Type
YP-11, YP-11W	1-15P	10A, 125V	18	SPT-1(I&N), SPT-2(I&N),SVT, SJT
		13A, 125V	16	SPT-2(I&N), SVT
YP-12, YP-12L	5-15P	10 A, 125 V	18	SPT-2, SVT(S&U), SJT
		13 A, 125 V	16	SPT-2, SJT
		15 A, 125 V	14	SJT
YP-12A	5-15P	15 A, 125 V	14	ST
YP-32, YP-32L	2p, 3W (Sp) (Sd)	10 A, 125/250 V	18	SVT*, SJT* , SJTW*, SJTO*, SJTOW*, ST*, STW*, STOW*, SJ*, SJO*, SJOO*, SJOOW*, SO*, SOO*, SOW*, SOOW*
		13A, 125/250 V	16	SJT* , SJTW*, SJTO*, SJTOW*, ST*, STW*, STOW*, SJ*, SJO*, SJOO*, SJOOW*, SO*, SOO*, SOW*, SOOW*
		15A, 125/250 V	14	SJT* , SJTW*, SJTO*, SJTOW*, SJ*, SJO*, SJOO*, SJOOW*, SO*, SOO*, SOW*, SOOW*



**Certificate:** 1147855  
**Project:** 70057581

**Master Contract:** 177323  
**Date Issued:** March 1, 2016

---

Legend: “W” Polarized; (I&N) denoted Integral and Non-integral. (Sp) - Special-use; (Sd) - Shrouded; \* – Shielded and Unshielded.

Note: These are sold to manufacturers for the assembly as components of Certified electrical equipment where the suitability of the combination is determined by CSA International.

**APPLICABLE REQUIREMENTS**

CSA Std. C22.2 No. 21	-Cord Sets and Power Supply Cords
CSA Std. C22.2 No. 42	-General Use Receptacles, Attachment Plugs and Similar Wiring Devices
CSA Std. C22.2 No. 182.3	-Special Use Attachment Plugs, Receptacles, and Connectors
INFORMS Cord Sets No.7A	-Production-Line Test for Cord Sets and Power-Supply Cords



## Supplement to Certificate of Compliance

**Certificate:** 1147855 (LR 76393)

**Master Contract:** 177323

*The products listed, including the latest revision described below, are eligible to be marked in accordance with the referenced Certificate.*

### Product Certification History

Project	Date	Description
70057581	2016-03-01	Consolidating report 1299529 and update report 1147855 to comply with standards C22.2 No.21-14 and No.42-10.
2640509	2013-10-14	Update Report 1147855 to increase the electric rating to 250V, cover additional flexible cord, outer body PVC material, CS-9731 for power supply Cat No. YP-32, also include Cat No YP-32L.
1868155	2007-03-19	Update to Report 1147855 to include alternative PVC compounds for plug caps, Cat Nos YP-12, YP-12L, YP-12A, YP-32.
1211672	2001-10-11	Update of Report 1147855 to include 5-15P plug cap, Cat No. YP-12L.
1147855	2001-03-14	Power supply Cords incorporating plug caps, Cat Nos YP12, YP12L, YP-12A, YP-32. (Supersedes Report LR 76393-1 and include 5-15P plug cap, Cat No. YP-12A and Cover additional cord Type SPT-2, 18-16/3; SJT, 14/3 for Cat No YP-12.
LR 76393-6	1998-05-25	Supplementary certification of power supply cords covered in Report LR 76393-1 to comply with CSA Certification Notice - Wiring Products No. 6.
LR 76393-2	1996-02-02	Update to Report LR 76393-1, power supply cords incorporating plugs, Cat Nos YP-12 and YP-32 to include additional size and type of flexible cord.
LR 76393-1	1993-06-30	Original certification to power supply cords incorporating plug caps Cat Nos YP-12, YP-12A and YP-32.

## DESCRIPTION

## PRODUCT COVERED:

USU and CNU - Unlisted Component - Cord Connector Bodies, Cat. Nos.  
 YC-05, YC-11, YC-12, YC-12(A.C.1), YC-12L, YC-12L-1, YC-12L-2, YC-12L-3,  
 YC-12C, YC-13, YC-13W, YC-13L, YC-13D, YC-13C, YC-14, YC-14L, YC-14L-1,  
 YC-14L-2, YC-14L-3, YC-15, YC-18, YC-18L, YC-20, YC-25, YC-25L, YC-21, YC-56,  
 YC-58, YC-06, YC-53, YC-16, YC-17, YC-19, YC-11G, YC-11GL, YC-12G, YC-12GL,  
 YC-12K, YC-54, YC-52, YC-55, YC-77, YC-79, YC-18A, YC-52A, YC-55A, YC-77A, YC-  
 15A, YC-05B, YC-05C, YC-76, YC-78.

## ELECTRICAL RATING:

Cat. No.	Config.	Cord, AWG	Current Amps	Volts	CNU	Outdoor Use (Y/N)
YC-05	5-15	16,14,12	13,15,15	125	Yes	N
YC-11	IEC C17	18,17,17,16	10,10,12,13	125or250	Yes	N
YC-12	IEC C13	18,17,17,16, 15,15,14,12	10,10,12,13, 10,14,15,15	125or250	Yes	N
YC-12 (A.C.1)	IEC C13	12,10	15,15	125or250	Yes	N
YC-12L, YC-12L-1, YC-12L-2, YC-12L-3	IEC C13	18,17,17,16, 15,15,14,12	10,10,12,13, 10,14,15,15	125or250	Yes	N
YC-12C	IEC C13	18,16	10,13	125or250	Yes	N
YC-13	IEC C7	18,18	2.5 or 10	250 or 125	Yes	N
YC-13W	IEC C7	18,18	2.5 or 10	250 or 125	Yes	N
YC-13L	IEC C7	18,18	2.5 or 10	250 or 125	Yes	N
YC-13D	IEC C7	18,18	2.5 or 10	250 or 125	Yes	N
YC-13C	IEC C7	18,18	2.5 or 10	250 or 125	Yes	N
YC-14	IEC C5	18 18 18	2.5 7 10	250 125 125or250	Yes	N
YC-14L, YC-14L-1, YC-14L-2, YC-14L-3	IEC C5	18 18 18	2.5 7 10	250 125 125	Yes	N
YC17L	IEC C7	18	10	125	Yes	N
YC-18	IEC C19	16,15,14	13,16,16	125or250	Yes	N
YC-18	IEC C19	12	20	125or250 Vac	Yes	N
YC-18L	IEC C19	16,15,14,12	13,16,16,20	125or250 Vac	Yes	N
YC-20	IEC C15	18,17,16,15,14	10,12,13,14,15	125or250	Yes	N
YC-25	IEC C21	16,15,14,12	13,16,16,20	125or250	Yes	N
YC-25L	IEC C21	16,15,14,12	13,16,16,20	125or250 Vac	Yes	N
YC-15	5-15	16,14,12	13,15,15	125	Yes	N
YC-21	1-15	18,16	10,13	125	Yes	N
YC-56	L5-20	18,16,14,12,10	10,13,15,15,15	125	Yes	Y
YC-58	L5-15	18,16,14,12,10	10,13,15,15,15	125	Yes	Y
YC-06	5-20	16,14,12,10	13,18,20,20	125	Yes	Y
YC-53	L6-20	16,14,12,10	13,18,20,20	250	Yes	N

Note: (A.C.1) - ALTERNATION CONSTRUCTION NO. 1

## ELECTRICAL RATING (CONT'D):

Cat. No.	Config.	Cord, AWG	Current Amps	Volts	CNU	Outdoor Use (Y/N)
YC-16	6-20	16,14,12	13,18,20	250	Yes	N
YC-17	5-20	16,14,12	13,18,20	125	Yes	N
YC-19	6-15	16,14,12	13,15,15	250	Yes	N
YC-11G	IEC C17	18,16	10,13	125or250	Yes	N
YC-11GL	IEC C17	18,16	10,13	125or250	Yes	N
YC-12G	IEC C13	18,16	10,13	125or250	Yes	N
YC-12GL	IEC C13	18,16	10,13	125or250	Yes	N
YC-12K	IEC C13	18,17,16,14	10,12,13,15	125or250	Yes	N
YC-54	L6-15	18,16,14,12	10,13,15,15	250	Yes	N
YC-52, YC-52A	L6-30	14,12,10,8/3	18,25,30,30	250	Yes	N
YC-55, YC-55A	L5-30	14,12,10,8/3	18,25,30,30	125	Yes	N
YC-77, YC-77A	L14-30	14,12,10,8/4	18,25,30,30	125/250	Yes	N
YC-79	L15-30	14,12,10,8/4	15,20,25,30	250, 3Ø	Yes	N
YC-18A	IEC C19	16,14,14,12,12/3	13,15,16,16,20	125 or 250	Yes	N
YC-15A	5-15	16,14,12	13,15,15	125	Yes	N
YC-05B	5-15	16,14,12	13,15,15	125	Yes	N
YC-05C	5-15	16,14,12	13,15,15	125	Yes	N
YC-76	L14-20	16,14,12,10	13,15,20,20	125/250	Yes	N
YC-78	L15-20	16,14,12,10	13,15,20,20	250, 3Ø	Yes	N

## TECHNICAL CONSIDERATIONS (NOT FOR FIELD REPRESENTATIVE'S USE):

For use only in Applicant's cord sets and power supply cords where the acceptability is determined by Underwriters Laboratories Inc.

USU - Indicates investigation to United States UL 817, Eleventh Edition.

CNU - Indicates investigation to Canadian National Standard C22.2 No. 21-95, Eighth Edition.

## CONDITIONS OF ACCEPTABILITY:

1. The devices have been evaluated when molded on the specific conductor size specified in this Procedure.
2. Use with any other size cord may require additional evaluation.
3. These fittings should be used only within their electrical rating.
4. Cat. No. YC-06 is for use in Detachable Power Supply Cords - Special Use (Gasoline Generators).

5. The following flexible cord had been evaluated for Outdoor Use.

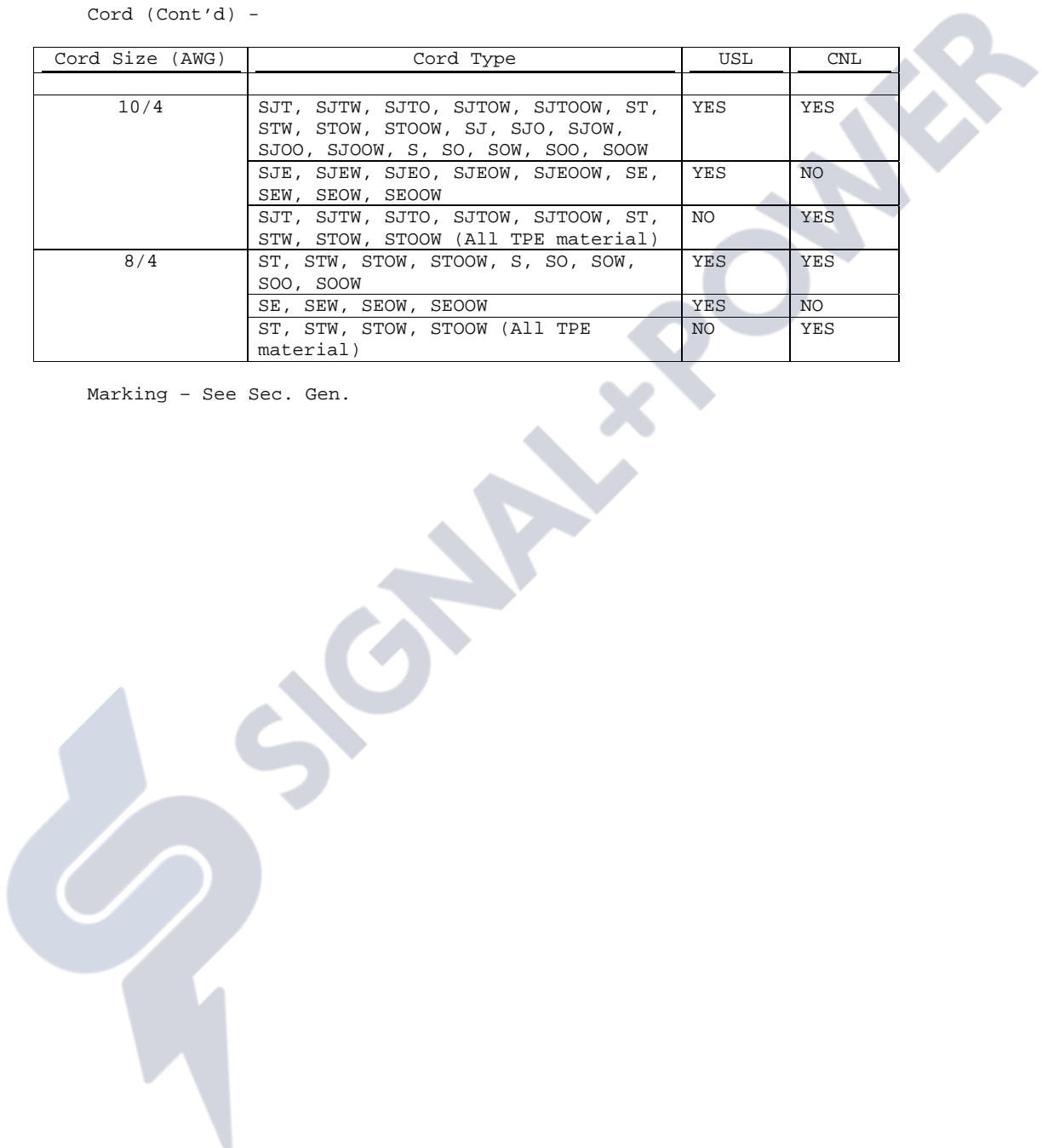
Cat. No.	Cord Type	Cord Size
YC-56	SJTW, SJTOW, STW, STOW, SOW, SOOW	18/3
	SJTW, SJTOW, STW, STOW, SOW, SOOW	16/3
	SJTW, SJTOW, STW, STOW, SOW, SOOW	14/3
	SJTW, SJTOW, STW, STOW, SOW, SOOW	12/3
	SJTW, SJTOW, STW, STOW, SOW, SOOW	10/3
YC-58	SJTW, SJTOW, SJTOOW, STW, STOW, STOOW, SJOW, SJOOW, SOW, SOOW	18/3
	SJTW, SJTOW, SJTOOW, STW, STOW, STOOW, SJOW, SJOOW, SOW, SOOW	16/3
	SJTW, SJTOW, SJTOOW, STW, STOW, STOOW, SJOW, SJOOW, SOW, SOOW	14/3
	SJTW, SJTOW, SJTOOW, STW, STOW, STOOW, SJOW, SJOOW, SOW, SOOW	12/3
	SJTW, SJTOW, SJTOOW, STW, STOW, STOOW, SJOW, SJOOW, SOW, SOOW	10/3
YC-06	SJTW, STW, STOW, SOW, SOOW, SJOW	16/4
	SJTW, STW, STOW, SOW, SOOW, SJOW	14/4
	SJTW, STW, STOW, SOW, SOOW, SJOW	12/4
	SJTW, STW, STOW, SOW, SOOW, SJOW	10/4

6. Locking feature in Cat. No. YC-12K has not been investigated with mating parts.
7. The suitability of the locking feature in Cat. No. YC-12K has not been investigated and shall be determined in the end use product.

Cord (Cont'd) -

Cord Size (AWG)	Cord Type	USL	CNL
10/4	SJT, SJTW, SJTO, SJTOW, SJTOOW, ST, STW, STOW, STOOW, SJ, SJO, SJOW, SJOO, SJOOW, S, SO, SOW, SOO, SOOW	YES	YES
	SJE, SJEW, SJEO, SJEOW, SJEOOW, SE, SEW, SEOW, SEOOW	YES	NO
	SJT, SJTW, SJTO, SJTOW, SJTOOW, ST, STW, STOW, STOOW (All TPE material)	NO	YES
8/4	ST, STW, STOW, STOOW, S, SO, SOW, SOO, SOOW	YES	YES
	SE, SEW, SEOW, SEOOW	YES	NO
	ST, STW, STOW, STOOW (All TPE material)	NO	YES

Marking - See Sec. Gen.





## CAT. NO. YC-15A - FIG. 29

General - The general design, shape, and arrangement shall be as illustrated, except where variations are specifically described. The configuration is identical to NEMA 5-15R, see Sec. Gen. for dimensional details.

Body - Molded of PVC, R/C (QMFZ2/8), Cat. No. CS-9731-WB, manufactured by CHIA SHIN ENTERPRISES CO LTD. See ILL. 104 for dimensional details.

Inner Body - Molded of PC, R/C (QMFZ2/8), two parts construction, Cat. No. LUPOY EF-1006F(m), manufactured by LG CHEMICAL (GUANGZHOU) ENGINEERING PLASTICS CO LTD. See ILL. 105 for dimensions details.

Locking Slider - Molded of PC, R/C (QMFZ2/8), Cat. No. LUPOY EF-1006F(m), manufactured by LG CHEMICAL (GUANGZHOU) ENGINEERING PLASTICS CO LTD. See ILL. 106 for dimensions details.

Line Contact - Copper alloy, Cat. No. XDOP001508, manufactured by WAI SHING METAL PRODUCTS LIMITED, crimped to conductor with crimp length 3.5 mm. See ILL. 107 for dimensional details.

Neutral Contact - Copper alloy, Cat. No. XDOW001194, manufactured by WAI SHING METAL PRODUCTS LIMITED, crimped to conductor with crimp length 3.5 mm. See ILL. 108 for dimensional details.

Grounding Contact - Copper alloy, Cat. No. XDOP001507, manufactured by WAI SHING METAL PRODUCTS LIMITED, crimped to conductor with crimp length 4.0 mm. See ILL. 109 for dimensional details.

Cord - Flexible Cord, Listed (ZJCZ/7). See the following table for application details.

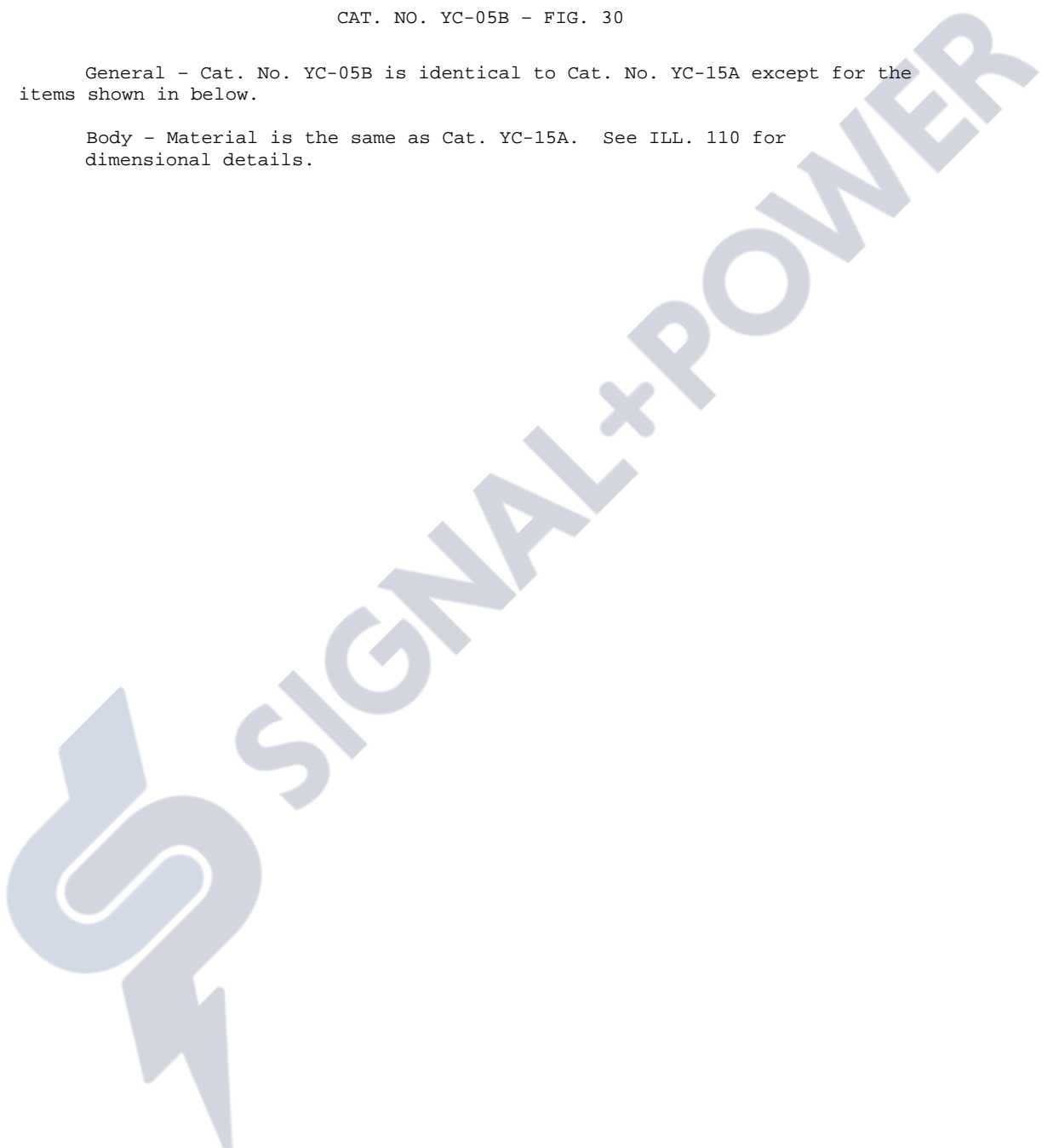
Cord Size (AWG)	Cord Type	USL	CNL
16,14,12/3	S, SO, SOW, SOO, SOOW, ST, STW, STO, STOW, STOO, STOOW, SJ, SJO, SJOW, SJOO, SJOOW, SJT, SJTW, SJTO, SJTOW, SJTOO, SJTOOW	YES	YES
	SJE, SJEW, SJEO, SJEOW, SJEOO, SJEOOW, SE, SEW, SEO, SEOW, SEOO, SEOOW	YES	NO
	SJT, SJTW, SJTO, SJTOW, SJTOO, SJTOOW, ST, STW, STO, STOW, STOO, STOOW (All TPE material)	NO	YES

Marking - See Sec. Gen.

CAT. NO. YC-05B - FIG. 30

General - Cat. No. YC-05B is identical to Cat. No. YC-15A except for the items shown in below.

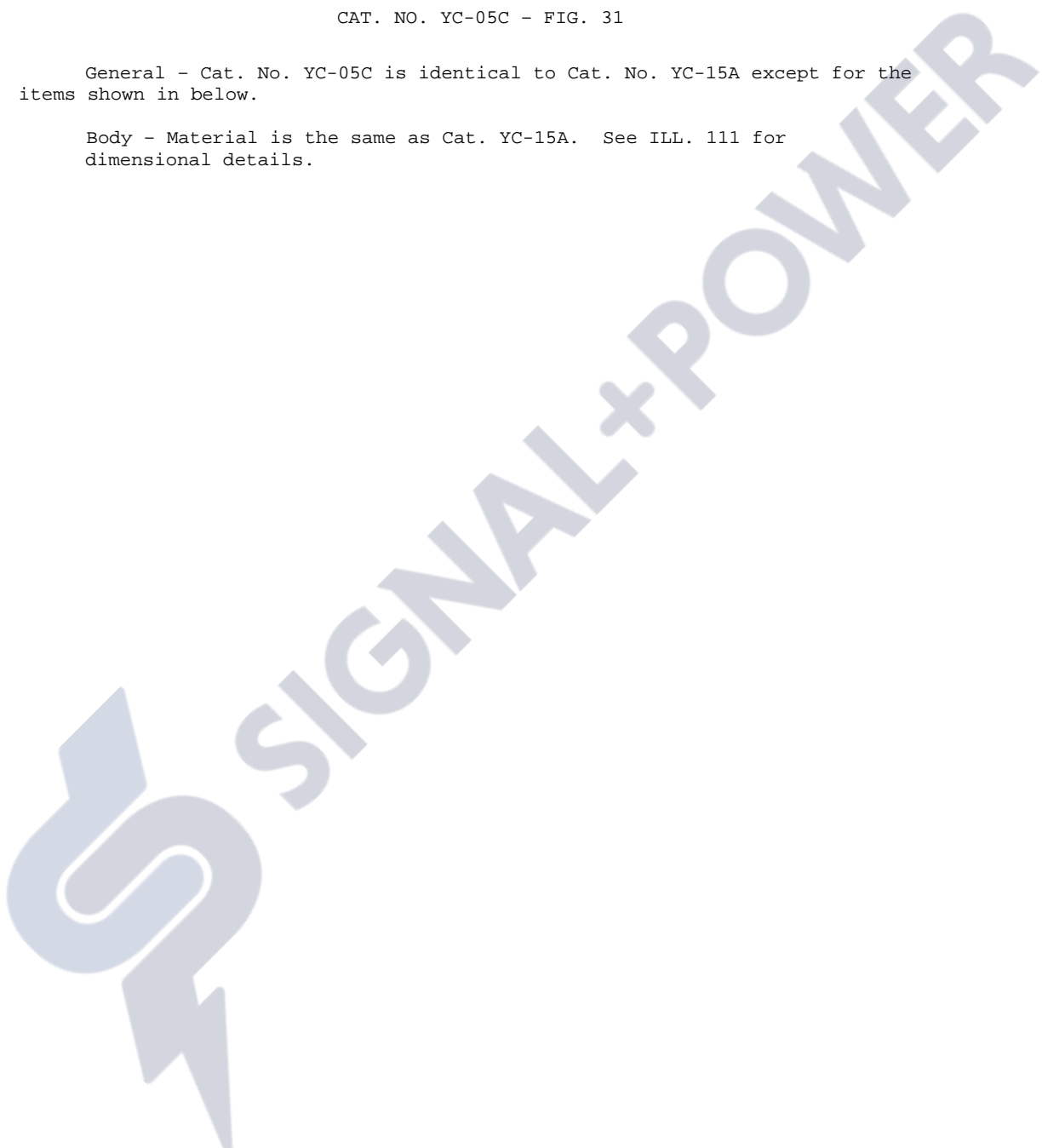
Body - Material is the same as Cat. YC-15A. See ILL. 110 for dimensional details.



CAT. NO. YC-05C - FIG. 31

General - Cat. No. YC-05C is identical to Cat. No. YC-15A except for the items shown in below.

Body - Material is the same as Cat. YC-15A. See ILL. 111 for dimensional details.





## ZJCZ.E241374 Flexible Cord

[Page Bottom](#)

### Flexible Cord

[See General Information for Flexible Cord](#)

#### YUNG LI CO LTD

E241374

7F-12 NO 99 SEC 1 XINTAI 5TH RD  
XIZHI DISTRICT  
NEW TAIPEI, 22175 TAIWAN

**Decorative cord**, Type(s) SPT-1W, SPT-2W

**Dryer and range cord**, Type(s) SRDT

**Jacketed cord**, Type(s) S, SE, SE-HF, SJ, SJE, SJE-HF, SJO, SJO, SJOOW, SJOW, SJT, SJT-B, SJTO, SJTOW, SJTW, SO, SOO, SOOW, SOW, ST, ST-B, STO, STOW, STW, SVE, SVE-HF, SVT, SVT-B, SVTO

**Parallel cord**, Type(s) NISPE-1, NISPE-1-HF, NISPE-2, NISPE-2-HF, NISPT-1, NISPT-2, SPE-1, SPE-1-HF, SPE-2, SPE-2-HF, SPE-3, SPE-3-HF, SPT-1, SPT-2, SPT-3

[Last Updated](#) on 2016-03-07

[Questions?](#)

[Print this page](#)

[Terms of Use](#)

[Page Top](#)

◆ 2016 UL LLC

The appearance of a company's name or product in this database does not in itself assure that products so identified have been manufactured under UL's Follow-Up Service. Only those products bearing the UL Mark should be considered to be Certified and covered under UL's Follow-Up Service. Always look for the Mark on the product.

UL permits the reproduction of the material contained in the Online Certification Directory subject to the following conditions: 1. The Guide Information, Assemblies, Constructions, Designs, Systems, and/or Certifications (files) must be presented in their entirety and in a non-misleading manner, without any manipulation of the data (or drawings). 2. The statement "Reprinted from the Online Certifications Directory with permission from UL" must appear adjacent to the extracted material. In addition, the reprinted material must include a copyright notice in the following format: "© 2016 UL LLC".



# Certificate of Compliance

**Certificate:** 1594794 (LL 76398)

**Master Contract:** 177323

**Project:** 2616524

**Date Issued:** April 3, 2013

**Issued to:** Yung Li Company Ltd.

1F No 10 Lane 235 Pao Chiao Rd  
Hsin Tien City  
Taipei Hsien,  
Taiwan  
Attention: Wendy Wu

*The products listed below are eligible to bear the CSA Mark shown*



*Kim Nguyen*

**Issued by:** Kim Nguyen, P. Eng.

## **PRODUCTS**

**CLASS 5831 01** - WIRES - Flexible Cord

Types SPT-1, NISPT-1, SPT-2, NISPT-2, SPT-3, SVT, SVTO, SJT, SJTW, SJTO, SJTOW, ST, STW, STO, STOW with PVC insulation and jacket, rated 60C, 75C, 90C and 105C, FT1, FT2, VW-1.

## **APPLICABLE REQUIREMENTS**

CSA C22.2 No 49 - Flexible Cords and Cables