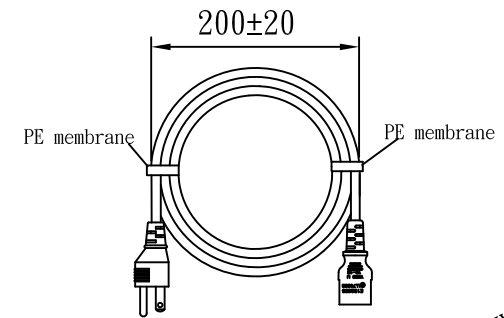


L : base on the list
Color : see attached list

NO.	SPECIFICATION	QTY	REMARK
1	SJT 18/3C 105°C BLACK	1PC	
2	YP-12 PVC PLASTIC 35P BLACK	19g/PC	
3	TERMINAL: 98675BS-1	2PCS	
4	∅4.75 TERMINAL: 98475	1PC	
5	YP-12 INNER BODY	1PC	
6	YC-12 PVC PLASTIC 50P BLACK	18g/PC	
7	U-TYPE TERMINAL: 97740BS-0	3PCS	
8	YC-12 INNER BODY	1PC	
9	LABEL: (40+25)*30mm	1PC	
10	SLEEVE	1PC	

Packing:
1. Bulk Pack.
2. Bundles of 10 Pieces.



Sample Drawing No. :
SP210324-11

TOLERANCE >0±0.30 >1.0±0.50 >10.0±1.0 >20.0±2.0 Angle: ±1°	APPROVED	DATE	SIGNAL+POWER				
	CHECKED	DATE					
	DRAWN	SUKI	DATE	21.05.21	CUSTOMER		
	TYPE	YP-12/YC-12		P/N	P-1212-XXX-183SJT		
DRAWING NO.	REV	B	MATERIAL	P. V. C	UNIT	mm	
			SCALE				

Part Number List

Power Cord Spec: YP-12+YC-12 SJT 18/3 105°C

BLACK

P-1212-03B-183SJT 03B=3FT (915±30)

P-1212-06B-183SJT 06B=6FT (1830±50)

P-1212-08B-183SJT 08B=8FT (2440±50)

P-1212-15B-183SJT 15B=15FT (4570±80)



SIGNAL+POWER