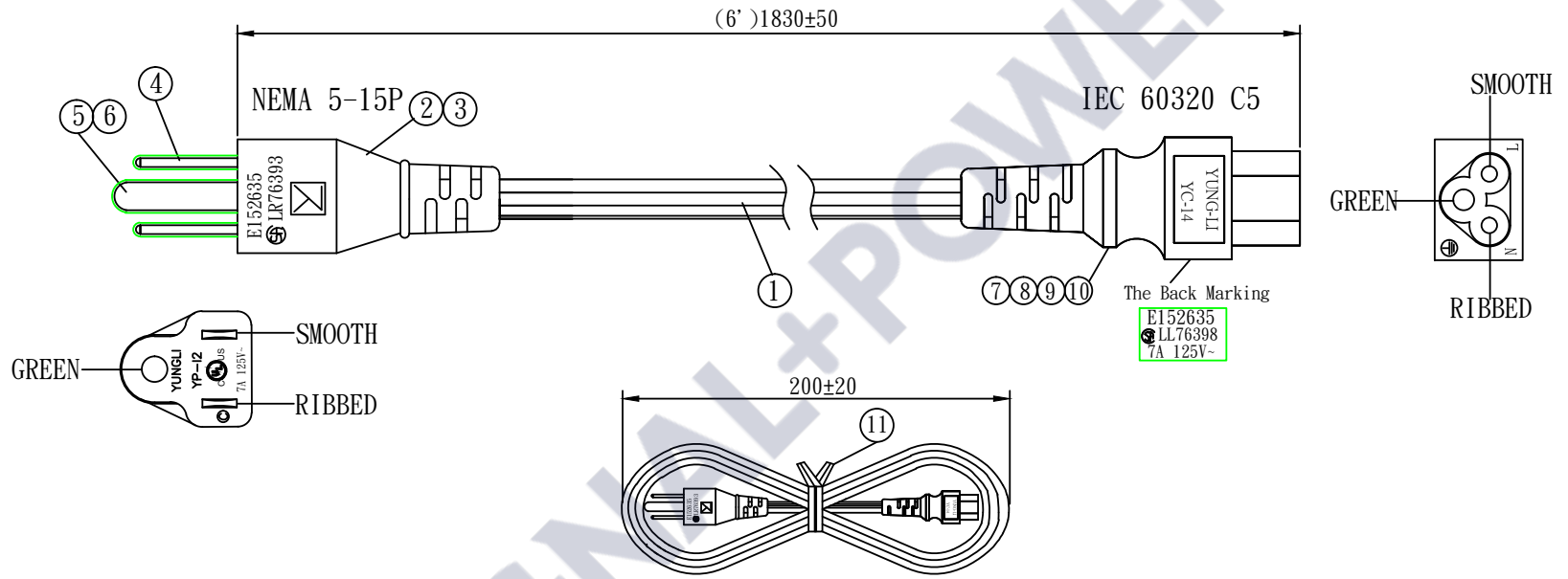




REV	DATE	DRAWN	DESCRIPTION
C	2019.05.02	SUKI	MARKING CHANGED FROM 10A 125V TO 7A 125V

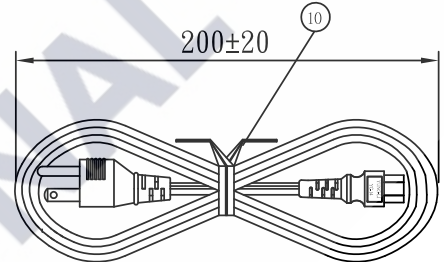
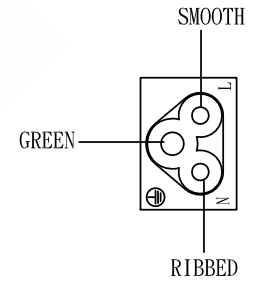
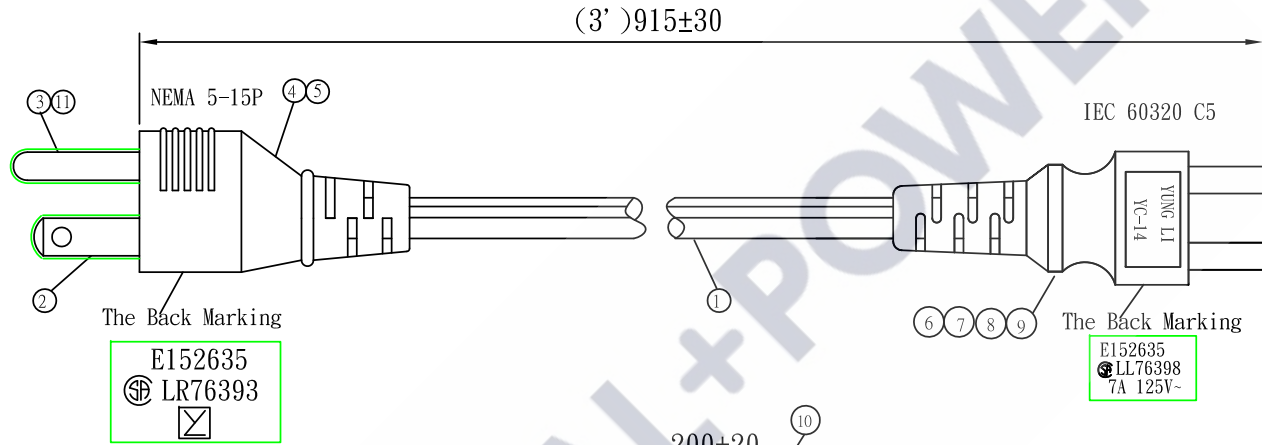
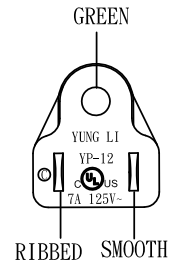


NO.	DESCRIPTION	QTY	REMARK
1	SPT-2 18/3C 105°C BLACK	1PC	
2	YP-12 PVC PLASTIC:35P BLACK	19g/PC	
3	TER:98675BS-1	2PCS	
4	TER:98475	1PC	
5	YP-12 INNER BODY	1PC	
6	SLEEVE WHITE	1PC	
7	YC-14 PVC PLASTIC:50P BLACK	18g/PC	
8	TER:98732	1PC	
9	TER:98714	2PCS	
10	YC-14 H. S. G BLACK	1PC	
11	MINI TIE:L=130mm BLACK	1PC	

Tolerance >0±0.30 >1.0±0.50 >10.0±1.0 >20.0±2.0 Angle: ±1°	Approved		Date		SIGNAL+POWER			
	Checked		Date					
	Drawn		Date		Customer			
	Cat. No.	YP-12/YC-14			P/N.	P-06BM		
	Drawing No.	CY-U0021-05	Rev.	C	Material	P. V. C	Unit	mm
				Scale				



REV	DATE	DRAWN	Description
C	2018.7.13	Huangfang	YC-14 marking changed from 10A 125V to 7A 125V



QTY: 100 PCS
 N. W. : 12.9 KGS
 G. W. : 13.5 KGS

NO.	SPECIFICATION	QTY	REMARK
1	SPT-2 18/3C 105°C BLACK	1PC	
2	TER: 98675BS-1	2PCS	
3	TER:98475	1PC	
4	YP-12 INNER BODY	1PC	
5	YP-12 PVC PLASTIC:35P BLACK	19g/PC	
6	YC-14 PVC PLASTIC:50P BLACK	18g/PC	
7	TER:98732PS-0	1PC	
8	TER:98714PS-0	2PCS	
9	YC-14 H. S. G BLACK	1PC	
10	MINI TIE:L=130mm BLACK	1PC	
11	SLEEVE WHITE	1PC	

Tolerance >0±0.30 >1.0±0.50 >10.0±1.0 >20.0±2.0 Angle: ±1°	Approved	Date	SIGNAL+POWER				
	Checked		Date				
Drawn	Huangfang	Date	19.06.26	Customer			
Cat. No.	YP-12/YC-14		P/N.	P-1214-03B-183SPT2			
Drawing No.	CY-U6993	Rev.	C	Material	P.V.C	Unit	mm
				HEFT(g)			