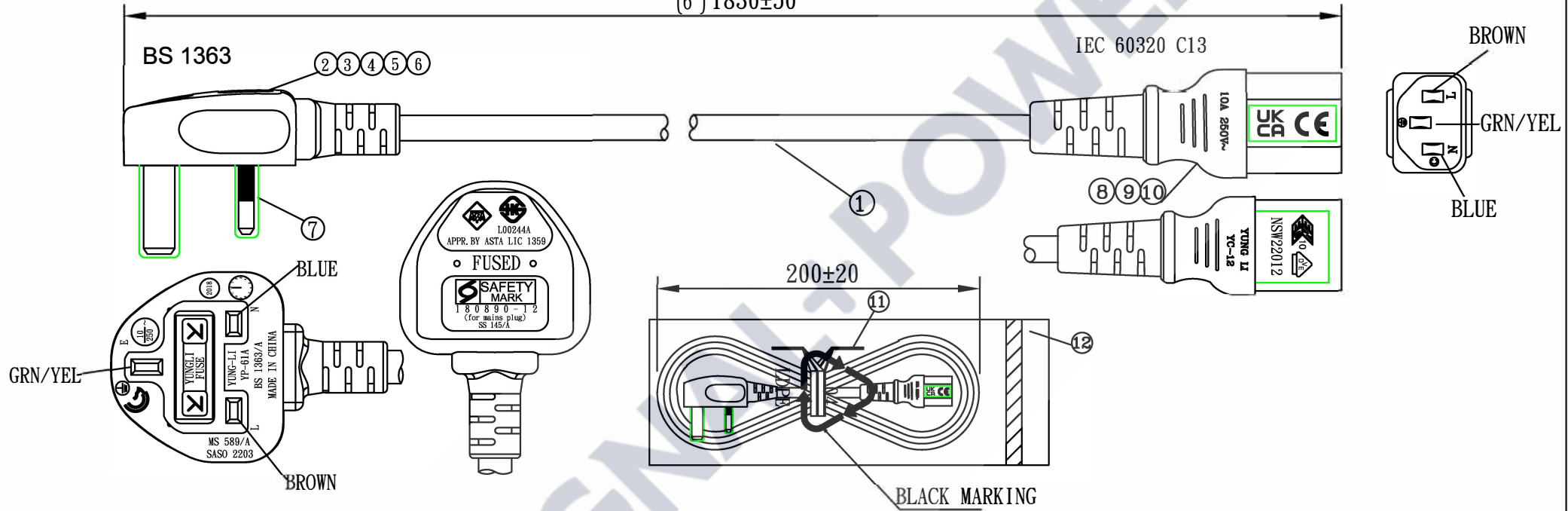


MARKING: YP-61A YUNG-LI $\frac{10}{250}$ BS1363/A  APPR. BY ASTA LIC 1359  SASO 2203 MS 589/A 



| REV | DATE | DRAWN | Description |
|-----|------------|-------|-------------------------|
| C | 2019.01.24 | SUKI | YP-61 changed YP-61A. |
| D | 2021.03.29 | SUKI | Add UKCA of receptacle. |

UK CA   10  NSW22012

(6') 1830±50



| NO. | SPECIFICATION | QTY | REMARK |
|-----|--------------------------------------|--------|-------------|
| 1 | H05VV-F 3G 0.75mm ² BLACK | 1PC | 1810±20(YL) |
| 2 | YP-61A PVC PLASTIC:60P BLACK | 45g/PC | |
| 3 | FRAME: BLACK | 1PC | |
| 4 | FUSE LID: BLACK | 1PC | |
| 5 | FRAME LID | 1PC | |
| 6 | FUSE:10A | 1PC | |
| 7 | SLEEVE WHITE | 1PC | |
| 8 | YC-12 INNER BODY | 1PC | |
| 9 | TER:97740BS-0 | 2PCS | |
| 10 | YC-12 PVC PLASTIC:50P BLACK | 18g/PC | |
| 11 | MINI TIE:L=130mm BLACK | 1PC | |
| 12 | ZIP BAG:250*110*0.06mm | 1PC | |

| TOLERANCE | APPROVED | DATE | SIGNAL+POWER | | | | | |
|---------------|-------------|--------------|--------------|----------|----------|---------|---|---|
| | >0±0.30 | CHECKED | DATE | | | | | |
| >1.0±0.50 | DRAWN | SUKI | DATE | 21.03.29 | CUSTOMER | | | |
| >10.0±1.0 | TYPE | YP-61A/YC-12 | | P/N | P-06B-UK | | | |
| >20.0±2.0 | DRAWING NO. | CY-B0589-02 | REV | D | MATERIAL | P. V. C | UNIT | mm |
| Angle: ±1° | | | | | SCALE | |  |  |