

# 東莞永力電業有限公司

YUNG LI CO., LTD

Da Pu Industrial Zone, Gang Zi, Changping Town,  
Dong Guan City, Guangdong 523571 China.P.R.C

TEL:0769-83396797~8

FAX:0769-83396796

E-mail: sales@yung-li.com

**Description :** YP-03A/YC-18

**Customer :** SIGNAL+POWER

**Parts No. :** P-03A18-10B

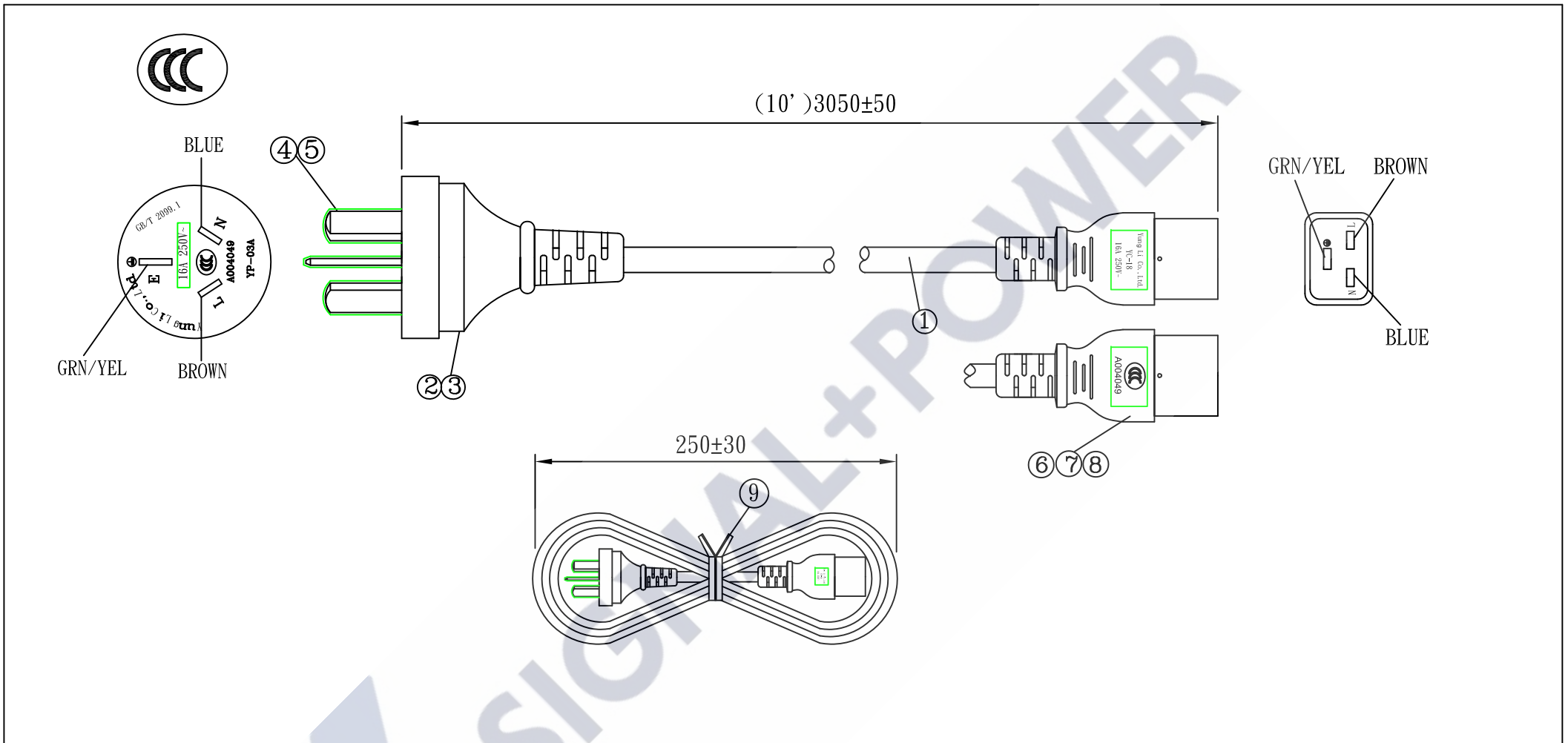
**Draw No. :**

## REVISION RECORD

1		
2		
3		
4		
5		

YUNG LI	
CHECKED	PREPARED BY

CUSTOMER APPROVED	
CHECKED	PREPARED BY

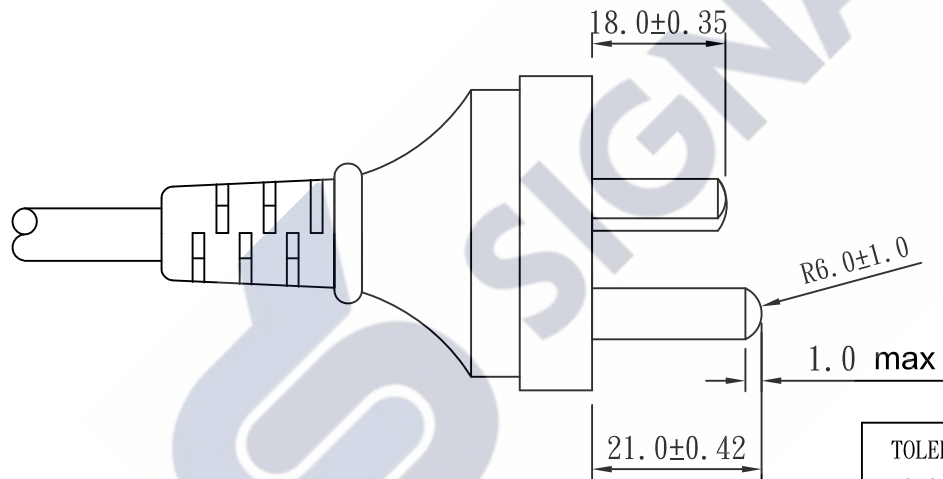
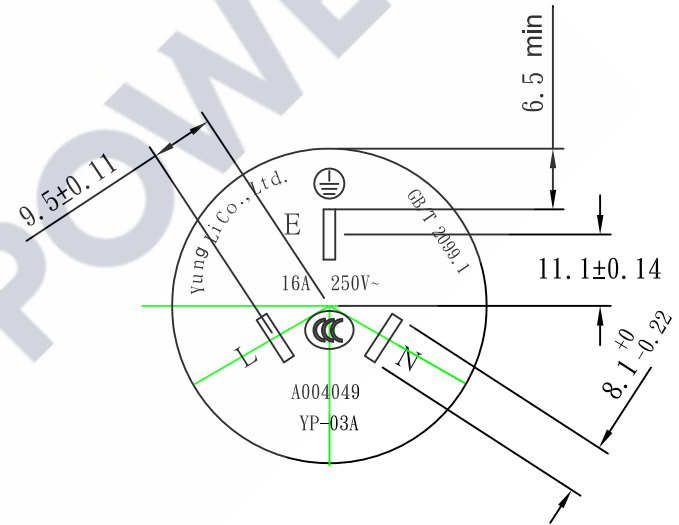
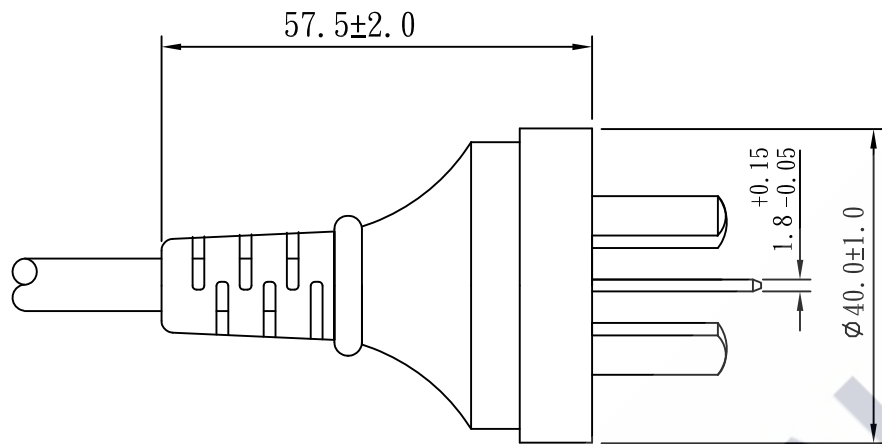


NO.	SPECIFICATION	QTY	REMARK
1	CCC H05VV-F 1.5/3C RVV BLACK	1PC	
2	YP-03A PVC PLASTIC:50P BLACK	32g/PC	
3	YP-03A INNER BODY	1PC	
4	TER:98655LBS-1	3PCS	
5	YP-03A SLEEVE WHITE	1PC	
6	YC-18 INNER BODY WHITE	1PC	
7	YC-18 TER	3PCS	
8	YC-18 PVC PLASTIC:35P BLACK	25g/PC	
9	MINI TIE:L=210mm BLACK	1PC	

Tolerance >0±0.30 >1.0±0.50 >10.0±1.0 >20.0±2.0 Angle: ±1°	Approved		Date		<b>SIGNAL+POWER</b>			
	Checked		Date					
	Drawn	SUKI	Date	23.01.07	Customer	Arista		
	Cat. No.	YP-03A/YC-18			P/N.	P-03A18-10B		
	Drawing No.	CY-C0139		Rev.	B	Material	P.V.C	Unit
					HEFT(g)			



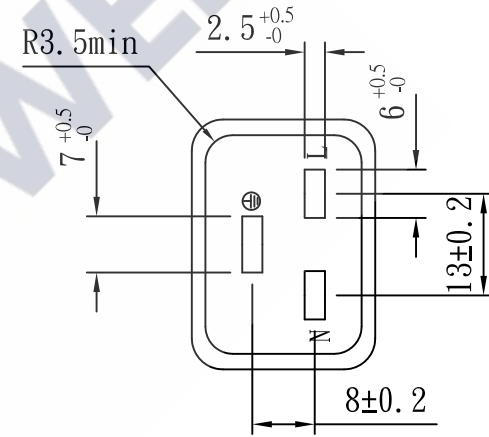
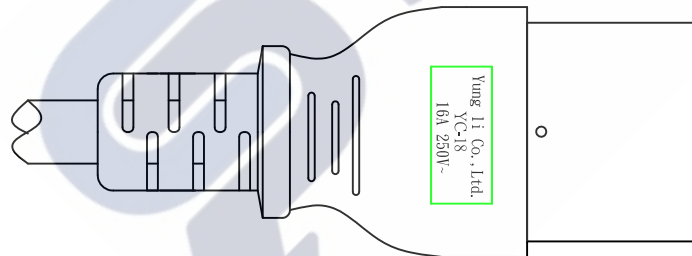
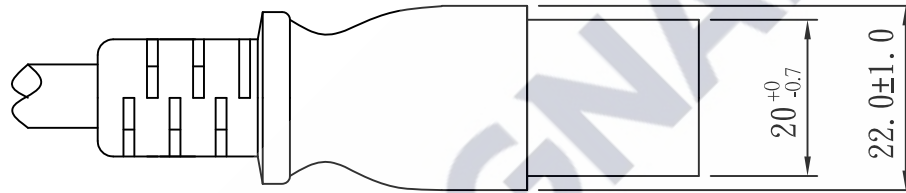
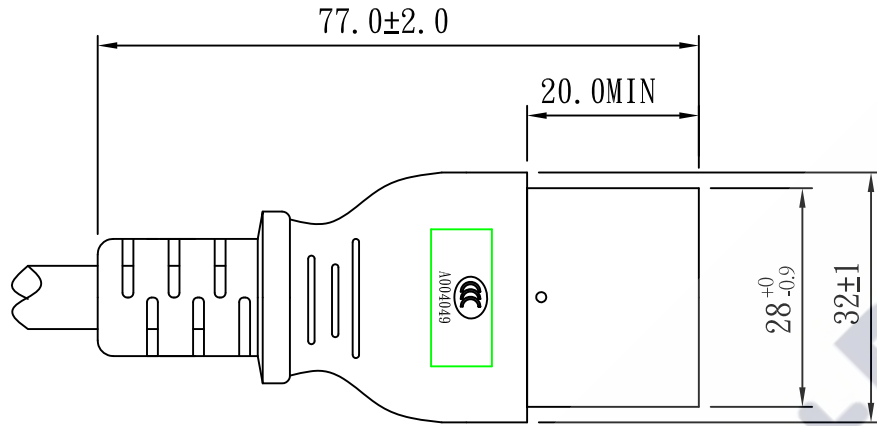
GB 2099  
GB 1002



TOLERANCE >0±0.30 >1.0±0.50 >10.0±1.0 >20.0±2.0 Angle: ±1°	APPROVED		DATE		<b>YUNG LI CO., LTD.</b>			
	CHECKED		DATE					
	DRAWN		DATE					
TYPE	YP-03A			P/N				
DRAWING NO				MATERIAL	P.V.C	UNIT	mm	
				SCALE	1:1			



IEC 60320 C19



Tolerance >0±0.30 >1.0±0.50 >10.0±1.0 >20.0±2.0 Angle: ±1°	Approved		Date		<b>YUNG LI CO.,LTD</b>			
	Checked		Date					
	Drawn		Date		Customer			
	Cat. No.	YC-18(CCC)			P/N.			
	Drawing No.	CY-C18CCC	Rev.	B	Material	P. V. C	Unit	mm
				Scale				

# YUNG LI CO., LTD

## SPECIFICATION

Yung Li	Style	PVC FLEXIBLE CORDS	Document No
2019.4.17			
Edition	Size	<b>H05VV-F 3G 1.5mm<sup>2</sup></b>	Page
A			1/2

1. Standard: IEC 60227 IEC60228

2. Construction & Dimension

	Item	Specification
Conductor	Size	3G 1.5mm <sup>2</sup>
	Material	Annealed Bare Copper
	Construction	48/ $\phi$ 0.202±0.01
Insulation	Material	PVC
	Minimum Average Thickness	0.70mm
	Minimum Thickness at any point	0.53mm
	Diameter	3.05± 0.10
	Identification	Blue,Brown,Green/Yellow
Core Assembly	Core Twist	3-Core
	Filler	NA
	Assembly Pair	NA
Taping	Mylar Foil	NA
Shielded	A1-Mylar Foil	NA
Drain	Material	NA
	Construction	NA
Jacket	Material	NA
	Minimum Average Thickness	0.9mm
	Minimum Thickness at any point	0.67mm
	Overall Diameter(Approx)	8.5± 0.2
	Color	Any colour

### Marking:

Yung Li Co., Ltd. H05VV-F 3G 1.5mm<sup>2</sup> <VDE> NF-USE 1347  KEMA-KEUR  CEBC <OVE>

IEMMEQU SAA-190646-EA  A004049 60227 IEC 53(RVV) 300/500V  SU01027-4002

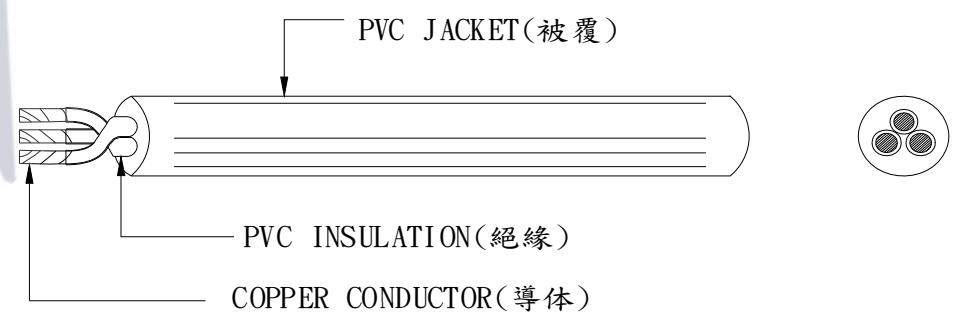
# YUNG LI CO., LTD

## SPECIFICATION

Yung Li	Style	PVC FLEXIBLE CORDS	Document No
2019.4.17			
Edition	Size	<b>H05VV-F 3G 1.5mm<sup>2</sup></b>	Page
A			2/2

4. Electrical & Physical Properties			
Item		Specification	
Rating Voltage		300/500V	
Maximum Temperature Rating		70°C	
Conductor resistance(AT 20°C)		13.3 Ω/Km Max	
Insulation Resistance(AT 70°C)		0.010MΩ/Km Min	
Dielectric Strength		AC 2.0 KV / 15MIN No Break	
Spark Test		5KV	
Insulation	Unaged	Tensile Strength	1.02 kgf/mm <sup>2</sup> min
		Elongation	150% Min
	Aged	Tensile Strength	80~120% (80°C x 168hrs)
		Elongation	80~120% (80°C x 168hrs)
	Loss of mass Test		2.0mg/cm <sup>2</sup> (max)
	Jacket	Unaged	Tensile Strength
Elongation			150% Min
Aged		Tensile Strength	80~120% (80°C x 168hrs)
		Elongation	80~120% (80°C x 168hrs)
Loss of mass Test		2.0mg/cm <sup>2</sup> (max)	
Deformation Test		70±4°C X 1hr ≤ 50%	
Cold Bend Test		-15°C x 4hr No Crack	
Heat Shock Test		150±2°C x 1hr No Crack	

**Graph:**





# CERTIFICATE FOR CHINA COMPULSORY PRODUCT CERTIFICATION

CERTIFICATE NO.: 2011010101495709

Valid from: Sep.01,2023

Valid until:Jun.25,2026

<b>NAME AND REGISTERED ADDRESS OF THE APPLICANT</b>	YUNG LI CO., LTD. No. 32, Dapu Industrial St.,Changping Town, Dongguan City,Guangdong Province,China
<b>NAME AND REGISTERED ADDRESS OF THE MANUFACTURER</b>	YUNG LI CO., LTD. No. 32, Dapu Industrial St.,Changping Town, Dongguan City,Guangdong Province,China
<b>NAME AND LOCATION OF THE FACTORY</b>	YUNG LI CO., LTD. No. 32, Dapu Industrial St.,Changping Town, Dongguan City,Guangdong Province,China
<b>PRODUCT MODEL(S)</b>	Cord set YP-03A+YC-18 16A 250V ~ (with60227IEC53 3×1mm <sup>2</sup> 、 60227IEC53 3×1.5mm <sup>2</sup> ) , YP-03A+YC-18L 16A 250V ~ (with60227IEC53 3×1mm <sup>2</sup> 、 60227IEC53 3×1.5mm <sup>2</sup> ) , YP-03B+YC-18 16A 250V ~ (with60227IEC53 3×1mm <sup>2</sup> 、 60227IEC53 3×1.5mm <sup>2</sup> ) , YP-03B+YC-18L 16A 250V ~ (with60227IEC53 3×1mm <sup>2</sup> 、 60227IEC53 3×1.5mm <sup>2</sup> )
<b>STANDARDS AND TECHNICAL REQUIREMENTS</b>	GB/T 15934-2008

This is to certify that the above mentioned product(s) complies with the requirements of implementation rules for compulsory certification(REFNO. CNCA-C02-01:2014)

The validity of the certificate is subject to positive result of the regular follow up inspection by issuing certification body until the expiry date.

Date of original issued: Aug.30,2011

Accredited by China National Accreditation Service for Conformity Assessment CNAS C001-P

The certificate information is available through the QR code below or CNCA's website: [www.cnca.gov.cn](http://www.cnca.gov.cn)



SIGNATURE:

谢肇煦



CHINA QUALITY CERTIFICATION CENTRE



# CERTIFICATE FOR CHINA COMPULSORY PRODUCT CERTIFICATION

**CERTIFICATE NO.:** 2004010105138414

**Valid from:** Aug.29,2023

**Valid until:** Nov.20,2025

**NAME AND REGISTERED ADDRESS OF THE APPLICANT** Yung Li Co.,Ltd.  
No. 32, Dapu Industrial St.,Changping Town, Dongguan City,Guangdong Province,China

**NAME AND REGISTERED ADDRESS OF THE MANUFACTURER** Yung Li Co.,Ltd.  
No. 32, Dapu Industrial St.,Changping Town, Dongguan City,Guangdong Province,China

**NAME AND LOCATION OF THE FACTORY** Yung Li Co.,Ltd.  
No. 32, Dapu Industrial St.,Changping Town, Dongguan City,Guangdong Province,China

**PRODUCT MODEL(S)** PVC insulated flexible cables and wires  
60227 IEC 52(RVV) 300/300V 0.5-0.75(2-3C); 60227 IEC 53(RVV) 300/500V 0.75-2.5(2-5C);

**STANDARDS AND TECHNICAL REQUIREMENTS** GB/T 5023.5-2008/IEC60227-5:2003

This is to certify that the above mentioned product(s) complies with the requirements of implementation rules for compulsory certification(REFNO. CNCA-C01-01:2014)

The validity of the certificate is subject to positive result of the regular follow up inspection by issuing certification body until the expiry date.

Date of original issued: Jan.04,2005

Accredited by China National Accreditation Service for Conformity Assessment CNAS C001-P

The certificate information is available through the QR code below or CNCA's website: [www.cnca.gov.cn](http://www.cnca.gov.cn)



SIGNATURE:

谢肇煦



CHINA QUALITY CERTIFICATION CENTRE