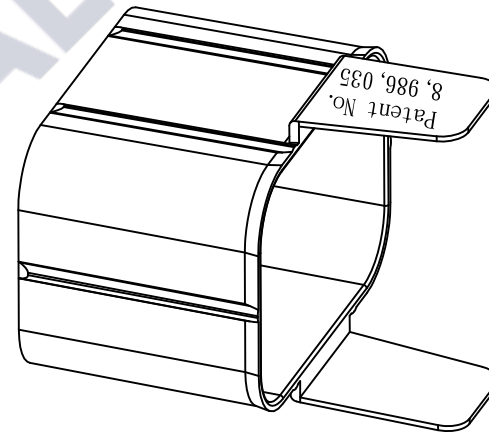
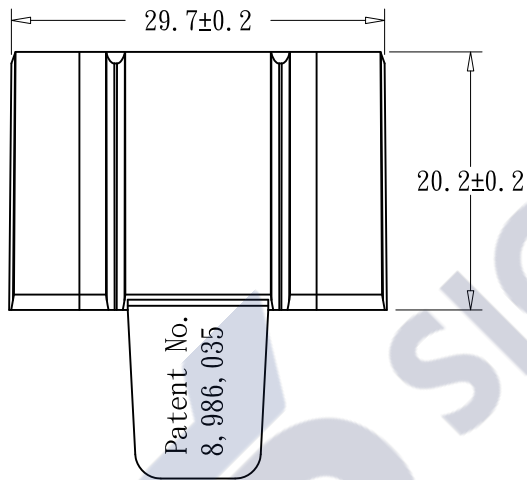


VIEW:A-A



NO.	SPECIFICATION	QTY	REMARK
1	C19 PA66 NYLON SLEEVE BLACK	IPC	

Tolerance >0±0.30 >1.0±0.50 >10.0±1.0 >20.0±2.0 Angle: ±1°	Approved		Date		SIGNAL+POWER				
	Checked		Date						
	Drawn		Date		Customer				
	Cat. No.	C19 Secure SleeveTAB-BLK			P/N.				
	Drawing No.	CY-N0150		Rev.	B	Material	PA66	Unit	mm
						HEFT(g)			