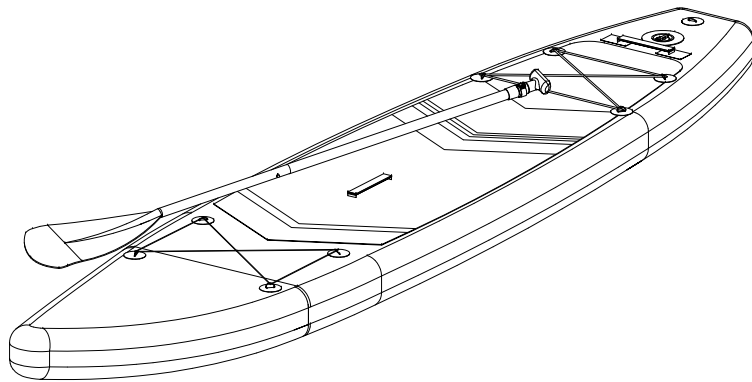


HERO SUP

INFLATABLE PADDLE BOARD

OWNER'S MANUAL



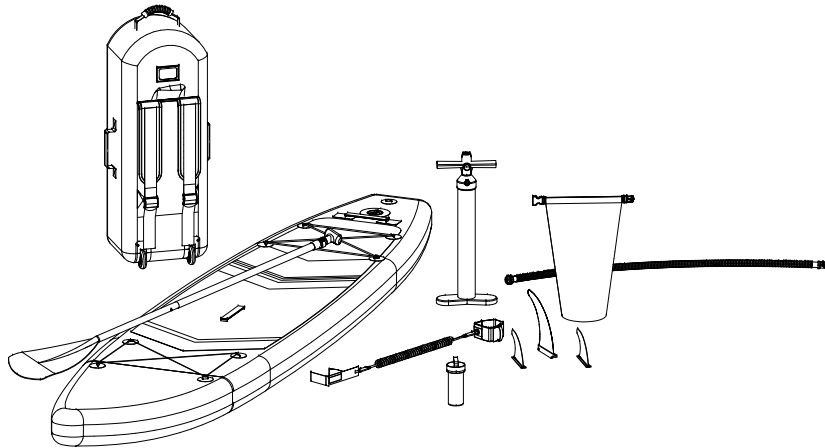
SAFETY

WARNING!

IT IS THE OWNER'S RESPONSIBILITY TO MAKE SURE THAT ALL USERS CAREFULLY READ AND FOLLOW THIS MANUAL AND INSTRUCTIONS FOR SAFE OPERATION OF THIS PRODUCT. STAND-UP PADDLE BOARDING WILL EXPOSE YOU TO CERTAIN RISKS OF PHYSICAL INJURY. IT IS IMPORTANT THAT USERS UNDERSTAND AND FOLLOW THE WARNINGS AND INSTRUCTIONS IN THIS MANUAL TO MINIMIZE THE RISK OF INJURY OR DEATH.

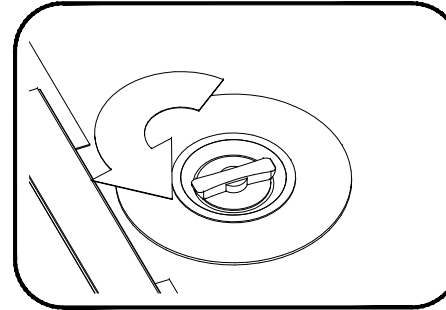
- YOU ARE RESPONSIBLE FOR YOUR OWN SAFETY AND THE SAFETY OF OTHERS WHEN YOU ARE USING THIS PRODUCT.
- ANYONE USING THIS PRODUCT MUST BE ABLE TO SWIM AND MUST BE IN GOOD HEALTH AND PHYSICAL CONDITION.
- MINORS SHOULD NOT USE THE SUP UNLESS THEY ARE UNDER THE GUIDANCE AND SUPERVISION OF AN ADULT.
- BEFORE USING THE PRODUCT, PLEASE CHECK CAREFULLY IT IS FULLY FUNCTIONAL.
- THIS SUP (STAND UP PADDLE BOARD) IS NOT A LIFE RAFT OR LIFESAVING DEVICE. EVERYONE MUST WEAR A COAST GUARD APPROVED PERSONAL FLOATATION DEVICE (PFD) WHEN PADDLE BOARDING. LOCAL, STATE OR FEDERAL AUTHORITIES MAY FINE YOU FOR FAILURE TO HAVE A US COAST GUARD APPROVED LIFE PRESERVER ONBOARD YOUR SUP FOR EACH PERSON.
- NEVER USE THIS SUP WHEN UNDER THE INFLUENCE OF ALCOHOL, DRUGS OR MEDICATIONS. SUCH MISUSE MAY RESULT IN SERIOUS PERSONAL INJURY OR DEATH.
- BEWARE OF STRONG WINDS. WINDY CONDITIONS MAY RESULT IN LOSS OF CONTROL AND SERIOUS INJURY OR DEATH. PADDLING AGAINST THE WIND OR ACROSS THE WIND CAN BE VERY DIFFICULT AND DANGEROUS. EVEN CARRYING THE SUP IN WINDY CONDITIONS MAY RESULT IN SERIOUS INJURY TO THE USER OR OTHERS IN THE VICINITY.
- USERS SHOULD ALWAYS BECOME EXPERIENCED IN CALM WATERS BEFORE ATTEMPTING MORE CHALLENGING SITUATIONS SUCH AS WAVES, TIDES OR WAKE FROM BOATS.
- NEVER EXCEED THE SUP WEIGHT CAPACITY. WEIGHT MUST BE EVENLY DISTRIBUTED IN ORDER TO ENSURE PROPER BALANCE AND PERFORMANCE.
- BEWARE OF OTHER THINGS IN THE WATER SUCH AS ROCKS, BRANCHES, DOCKS, BOATS, OTHER PADDLE BOARDS, AND EVEN SWIMMERS. COLLIDING WITH ANY OF THESE THINGS MAY CAUSE YOU TO LOSE CONTROL OF YOUR PADDLE BOARD, FALL AND BECOME INJURED.
- A BOARD LEASH MUST BE USED AT APPROPRIATE TIMES WHEN USING THIS PRODUCT TO KEEP YOU FROM GETTING SEPARATED FROM YOUR BOARD. USE A COILED LEASH WHEN PADDLING ON CALM WATER. USE A STRAIGHT LEASH WHEN SUP SURFING. IF YOU USE A LEASH IN MOVING WATER RIVERS IT MUST BE A QUICK RELEASE LEASH THAT ATTACHES TO YOUR WAIST AREA AND MUST BE REACHABLE WITH BOTH HANDS. IF PADDLING IN WHITE WATER, A HELMET, ELBOW PADS AND KNEE PADS ARE ALSO IMPORTANT PIECES OF EQUIPMENT TO WEAR.
- NEVER USE THE SUP AT NIGHT OR IN BAD WEATHER. NEVER PADDLE ALONE.
- THIS PRODUCT SHOULD NOT BE MODIFIED OR USED FOR ANY APPLICATION OTHER THAN THAT FOR WHICH IT WAS DESIGNED. HERO SUP CANNOT BE RESPONSIBLE FOR ISSUES ARISING FROM MODIFICATION. IT IS NOT TO BE USED ON LAND OR USED WITH A SAIL OR MOTOR.
- NEVER OPERATE YOUR SUP UNLESS IT IS PROPERLY INFLATED. OPERATING AN INFLATABLE SUP THAT IS EITHER OVER INFLATED OR UNDER INFLATED INCREASES RISK OF INJURY. THE IDEAL AIR PRESSURE FOR YOUR SUP IS 15 PSI.
- FALLING IS ALWAYS A RISK OF OPERATING THE SUP. ONLY OPERATE A SUP IN A LOCATION THAT IS SAFE IN THE EVENT OF A FALL.
- DO NOT SECURE ANY OBJECT TO YOUR SUP THAT COULD CAUSE FURTHER INJURY IN THE EVENT OF A FALL.

CONTENTS OF PACKAGE

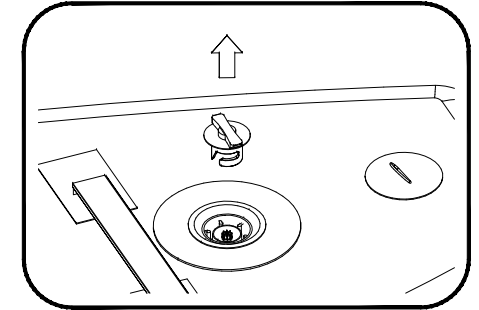


- ① INFLATABLE PADDLEBOARD
- ② 3-PIECE ADJUSTABLE FIBERGLASS PADDLE
- ③ ROLLING TRAVEL BACKPACK
- ④ DUAL ACTION HAND PUMP
- ⑤ 1 9" TOURING FIN
- ⑥ 10' COILED SUP LEASH
- ⑦ 1 10L DRY BAG
- ⑧ REPAIR KIT
- ⑨ 2 5" SIDE FINS (CRUSADER & SPARK ONLY)

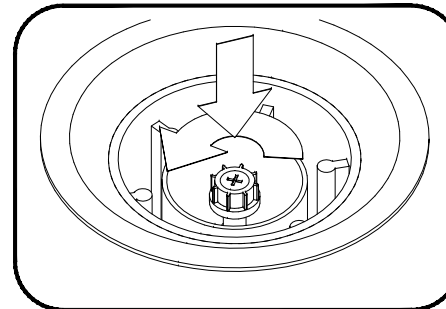
INFLATE



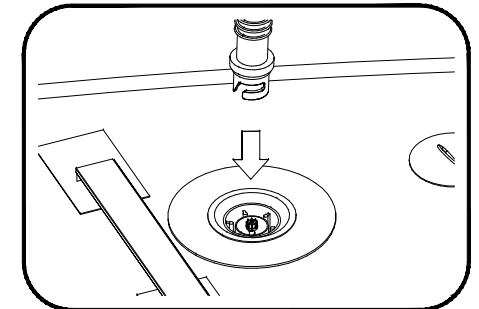
STEP 1: TURN THE CAP COUNTER
CLOCKWISE TO UNLOCK



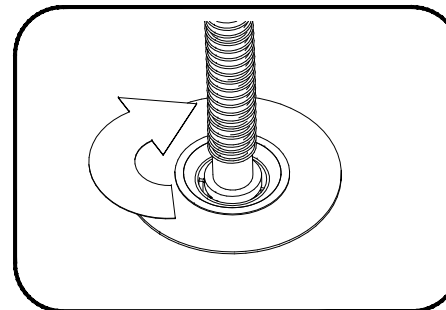
STEP 2: REMOVE THE CAP



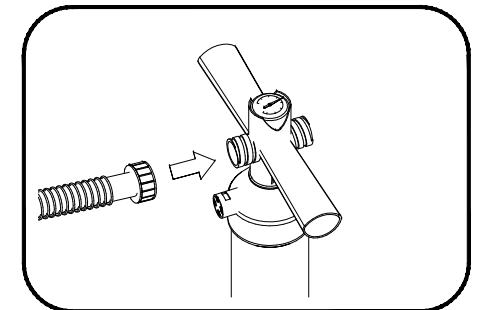
STEP 3: PUSH & TWIST THE VALVE
COUNTER CLOCKWISE SO IT
SPRINGS UP (PIN UP)



STEP 4: INSERT AIR PUMP HOSE

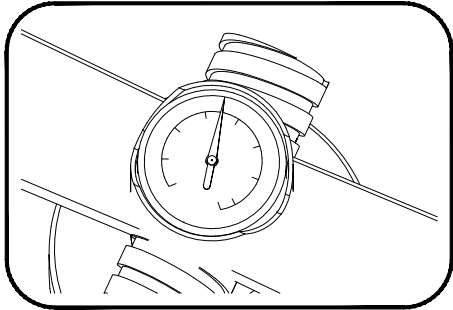


STEP 5: TURN THE AIR PUMP
HOSE CLOCKWISE TO LOCK IT

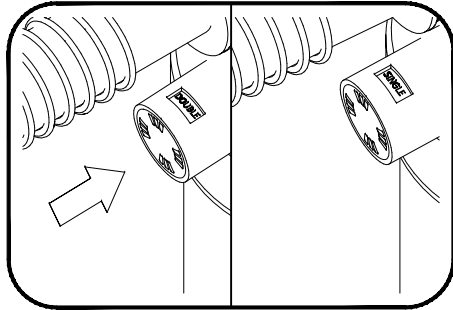


STEP 6: INSERT OTHER END OF AIR
PUMP HOSE INTO "INFLATE"
END OF PUMP

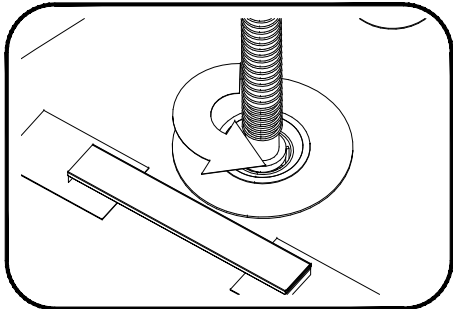
INFLATE



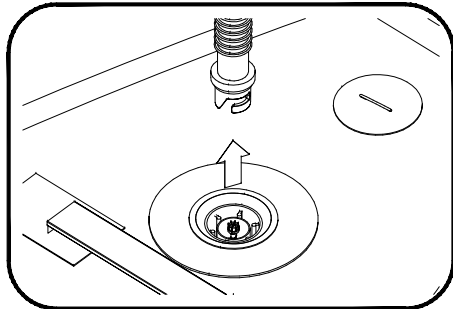
STEP 7: INFLATE THE PADDLE BOARD TO 15 PSI. NEVER EXCEED 25 PSI



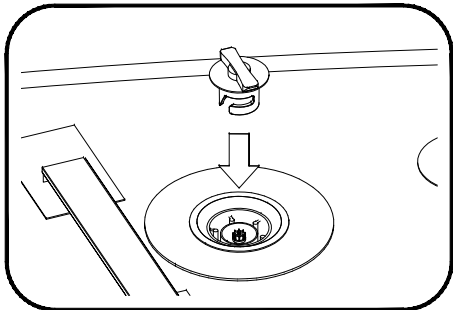
STEP 8: IF PUMPING BECOMES DIFFICULT, SWITCH THE PUMP TO SINGLE ACTION



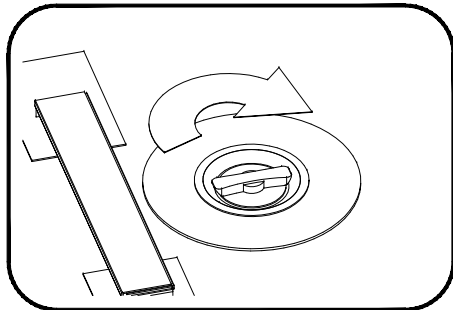
STEP 9: TURN THE AIR PUMP HOSE COUNTER CLOCKWISE TO UNLOCK IT



STEP 10: REMOVE THE AIR PUMP HOSE

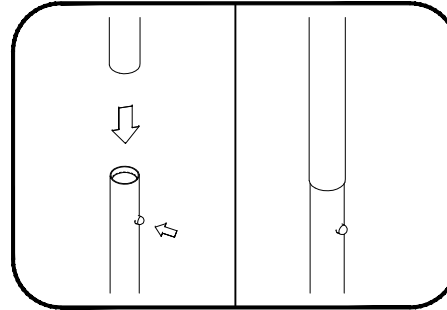


STEP 11: REINSERT CAP

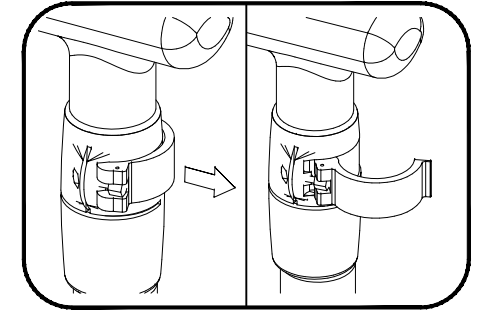


STEP 12: TURN CAP CLOCKWISE TO RELOCK IT

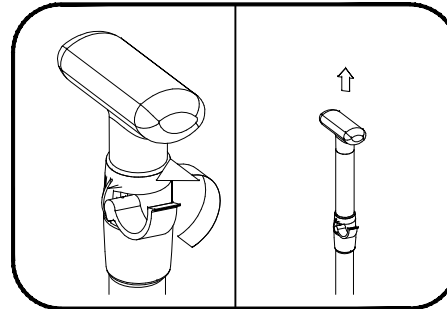
PADDLE SETUP



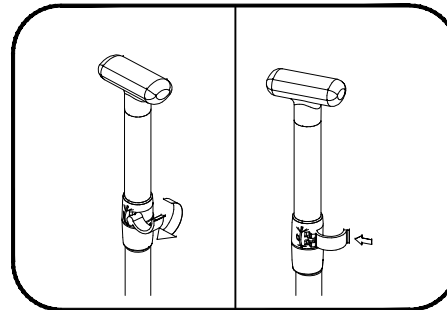
STEP 1: PUSH TAB IN AND SLIDE OTHER PIECE OF PADDLE ON



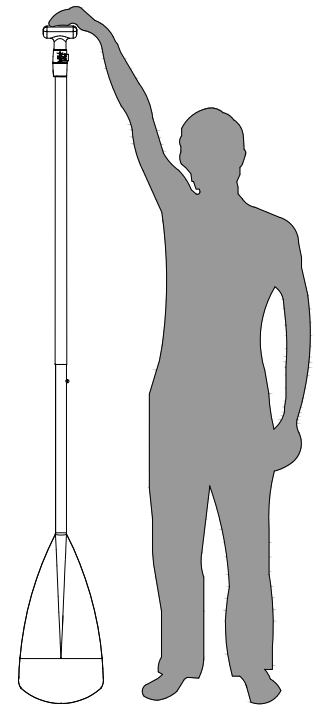
STEP 2: UNLOCK THE LATCH



STEP 3: TURN LATCH COUNTER CLOCKWISE TO LOOSEN IT AND ADJUST THE HEIGHT

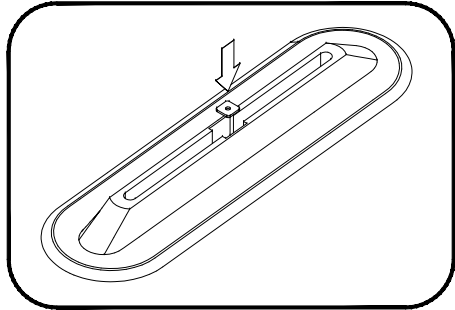


STEP 4: ROTATE THE LATCH CLOCKWISE TO TIGHTEN IT AND REENGAGE THE LATCH

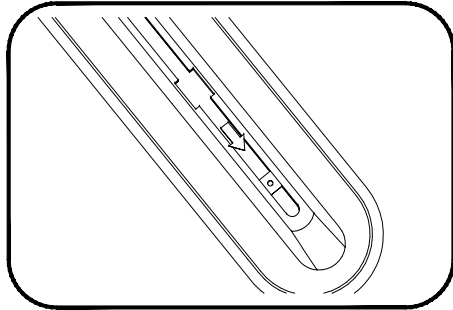


RECOMMENDED HEIGHT OF PADDLE

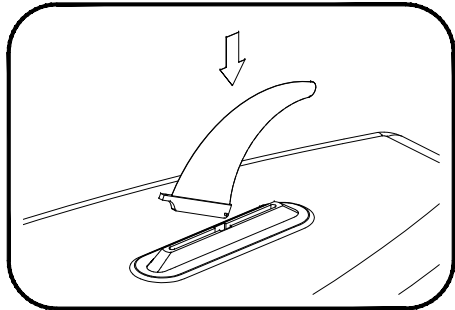
9" FIN SETUP



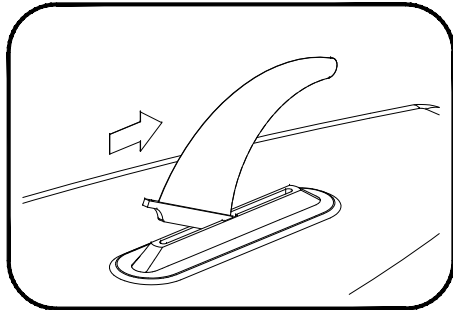
STEP 1: INSERT THE NUT INTO THE FIN SLOT



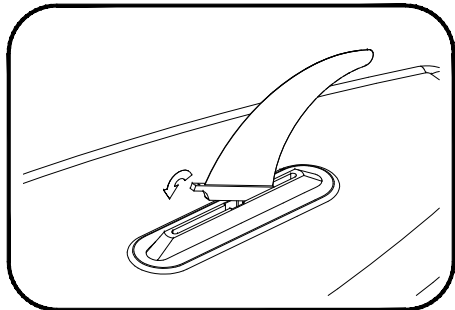
STEP 2: SLIDE THE NUT DOWN THE FIN SLOT



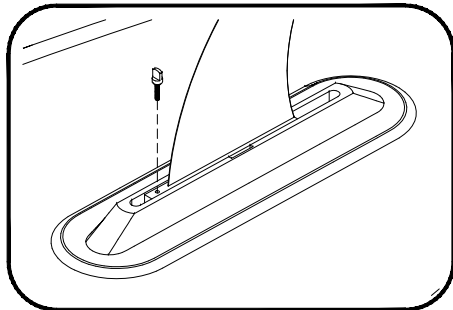
STEP 3: INSERT THE FIN INTO THE SLOT AS SHOWN



STEP 4: SLIDE THE FIN DOWN THE SLOT

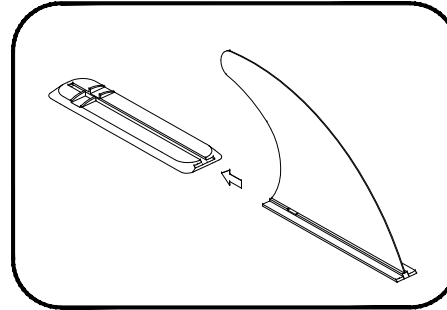


STEP 5: INSERT REST OF FIN AS SHOWN

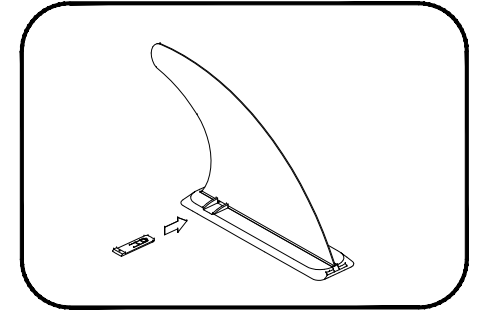


STEP 12: SCREW THE FIN ONTO THE NUT

5" FIN SETUP

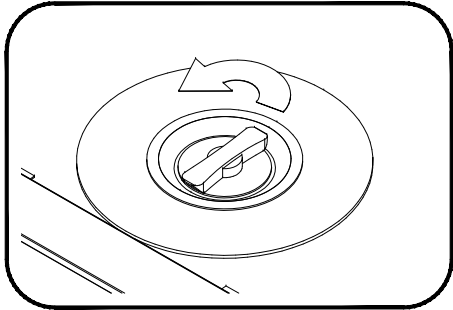


STEP 1: SLIDE THE 5" FIN INTO THE SLOT

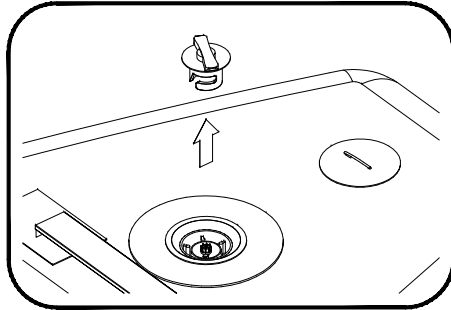


STEP 3: INSERT TAB TO LOCK FIN IN PLACE

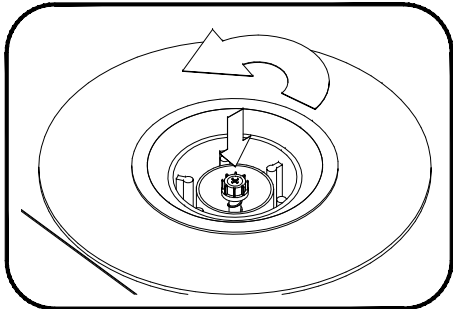
DEFLATE



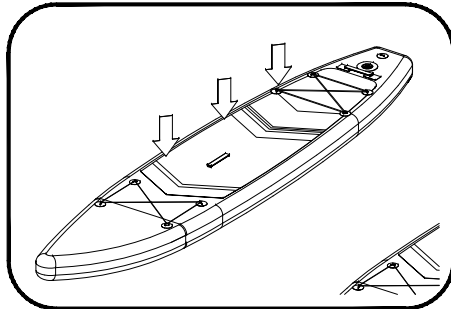
STEP 1: TURN THE CAP COUNTER CLOCKWISE TO UNLOCK IT



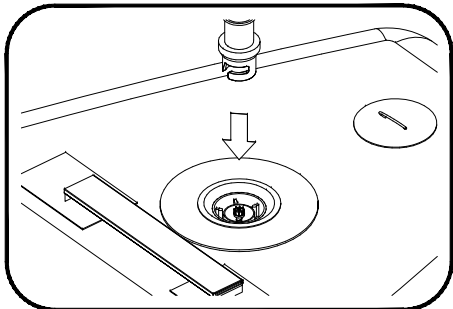
STEP 2: REMOVE THE CAP



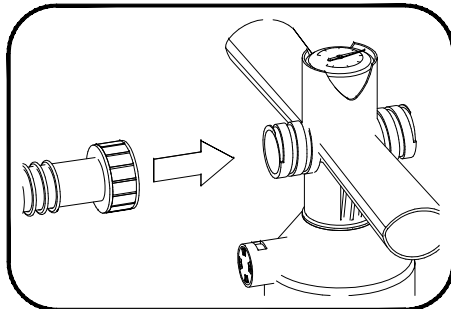
STEP 3: PUSH & TWIST THE VALVE COUNTER CLOCKWISE TO RELEASE (PIN DOWN)



STEP 4: APPLY PRESSURE TO THE BOARD TO REMOVE AIR



ALTERNATIVELY, YOU MAY ATTACH THE AIR PUMP HOSE



AND ATTACH THE OTHER END TO THE DEFLATE SIDE OF THE PUMP

STORAGE & MAINTENANCE

- THE BOARD MAY BE STORED INFLATED OR DEFLATED.
- IF THE BOARD IS INFLATED, DO NOT STORE IN DIRECT SUNLIGHT OR EXTREME WEATHER.
- WHEN DEFLATED, REMOVE ALL OF THE FINS. ROLL THE BOARD UP SO THAT THE BOTTOM IS FACING OUTWARDS.
- MAKE SURE TO RINSE THE BOARD (ESPECIALLY IF USED IN SALT WATER) AND DRY COMPLETELY BEFORE STORING IN THE BAG.
- DO NOT STORE THE BOARD IN DIRECT SUNLIGHT.

WARRANTY

HERO SUP OFFERS A 2 YEAR MANUFACTURER LIMITED WARRANTY ON THE BOARD (EXCLUDING ATTACHMENTS AND OTHER ACCESSORIES IN THE PACKAGE) TO THE ORIGINAL OWNER FROM THE DATE OF PURCHASE. WE GUARANTEE AGAINST ANY ABNORMAL DEFECT IN WORKMANSHIP AND MATERIALS WITHIN THIS PERIOD. COSMETIC ISSUES SUCH AS FADING, AND ANY CONSUMER-INITIATED MODIFICATIONS TO THE PRODUCT ARE NOT COVERED BY WARRANTY. HERO SUP SHALL NOT BE HELD LIABLE FOR INCIDENTAL AND CONSEQUENTIAL DAMAGES.

FOR MORE INFORMATION, CONTACT US AT:

US: INFO@HEROSUP.COM

CANADA: INFO@HEROSUP.CA

OR VISIT:

US: WWW.HEROSUP.COM

CANADA: WWW.HEROSUP.CA

WE LOVE TO SEE YOUR PHOTOS! SHARE THEM WITH US
@HEROSUPBOARDS #HEROSUP