

6

5

4

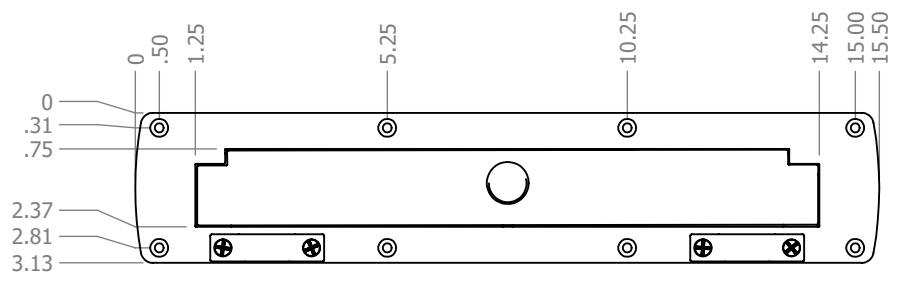
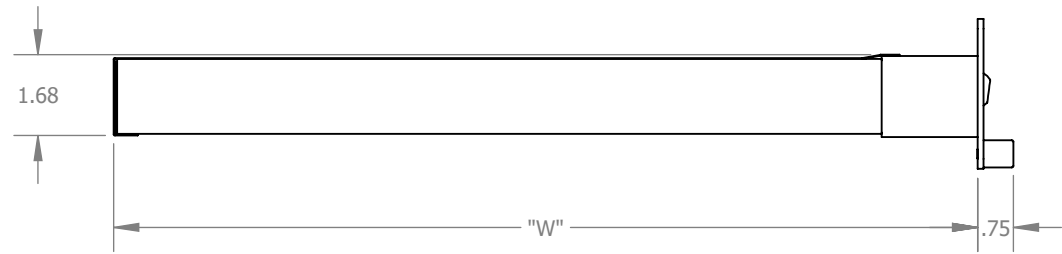
3

2

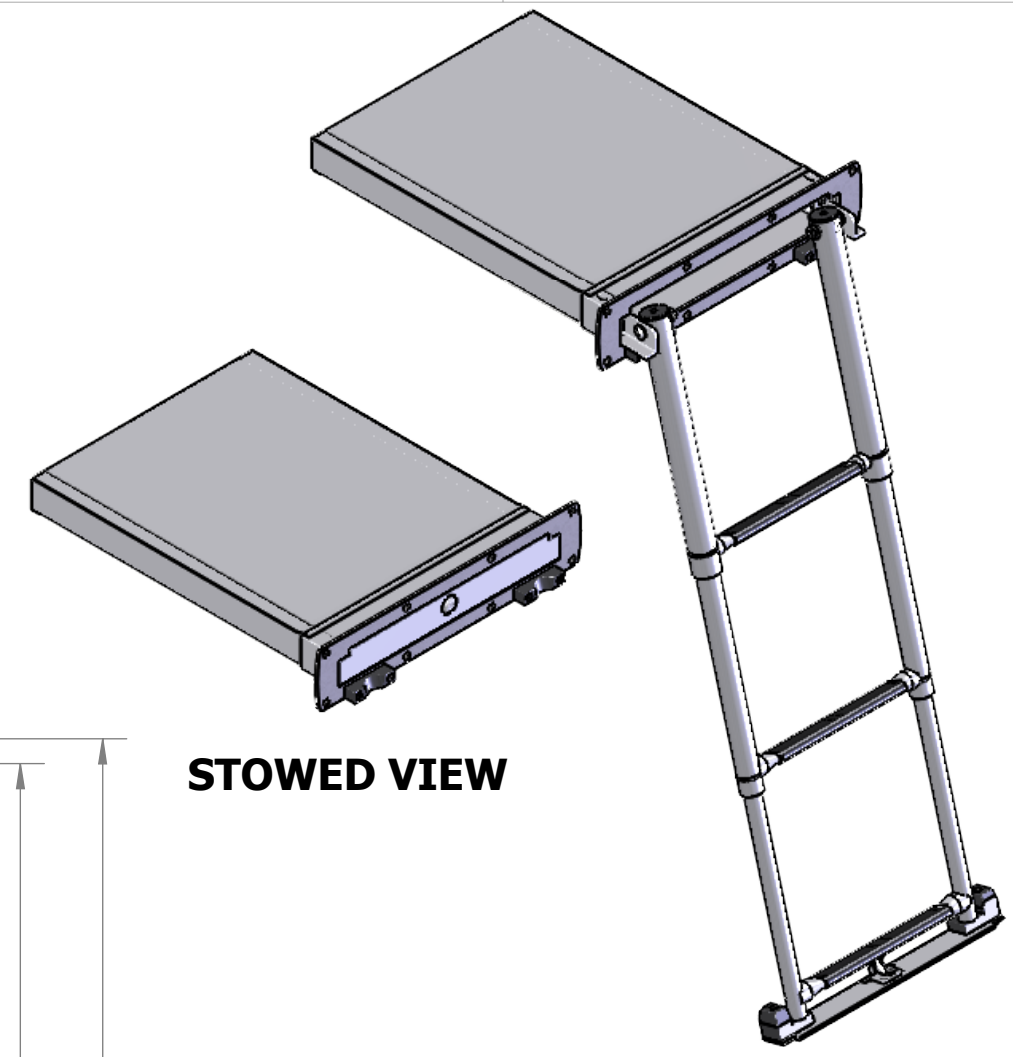
1

D

D



MOUNTING HOLES

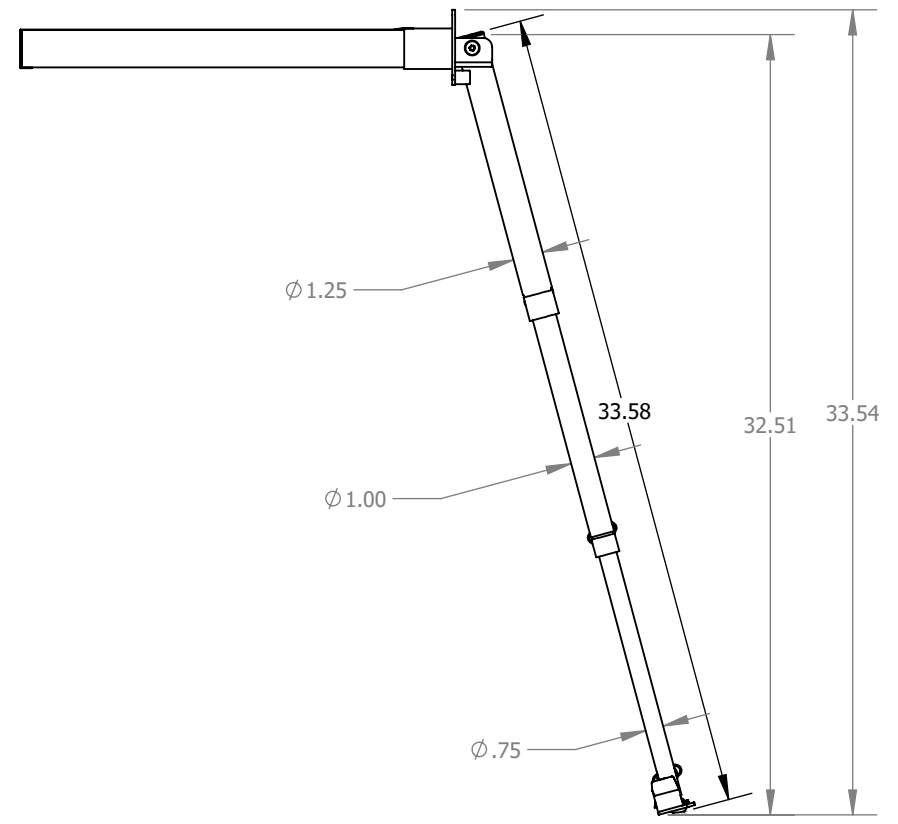
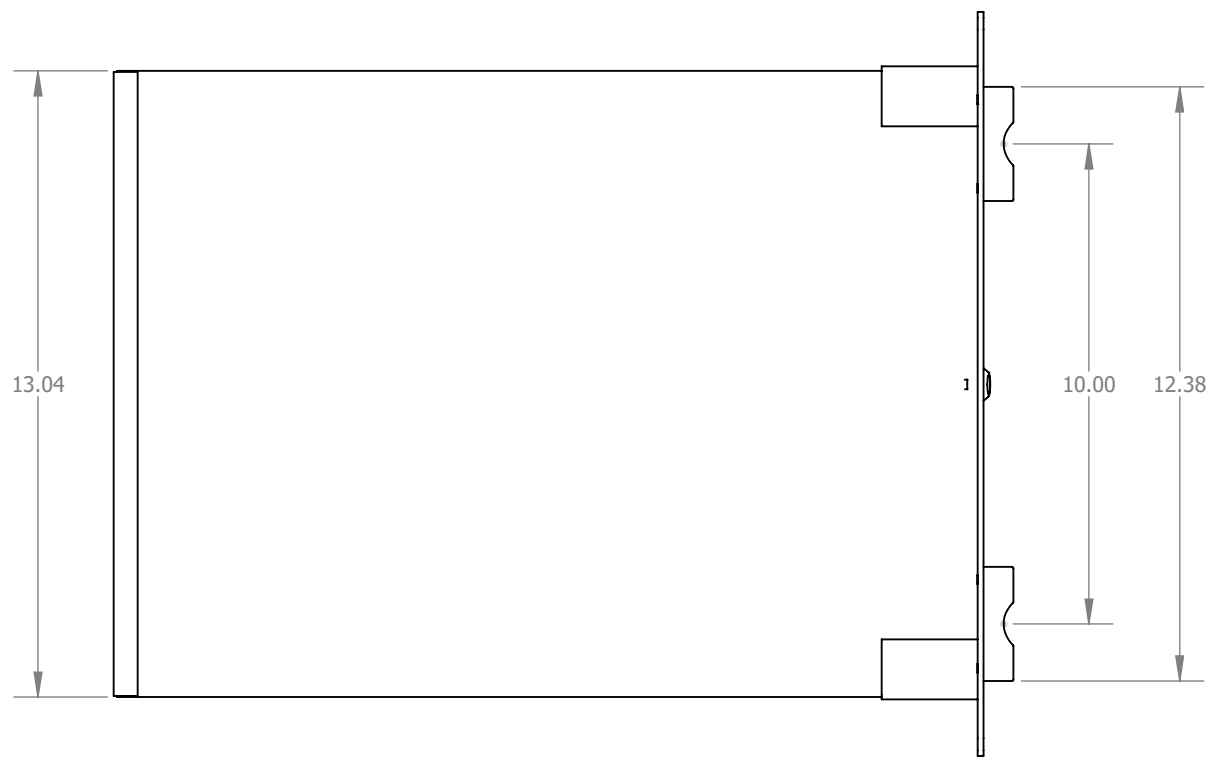


STOWED VIEW

DEPLOYED VIEW

C

C



B

B

A

A

PART NUMBER

"W"

L1T13502C

18.00

L1T14503C

19.25

PROPRIETARY AND CONFIDENTIAL

THE INFORMATION CONTAINED IN THIS DRAWING IS THE SOLE PROPERTY OF GG SCHMITT & SONS.

ANY REPRODUCTION IN PART OR AS A WHOLE WITHOUT THE WRITTEN PERMISSION OF GG SCHMITT & SONS IS PROHIBITED.

THIRD ANGLE PROJECTION



UNLESS OTHERWISE SPECIFIED: DIMENSIONS ARE IN INCHES [SECONDARY IS IN MILLIMETERS]
 TOLERANCES:
 FRACTIONAL: ± 1/16"
 ANGLE: ± .5°
 .XX ± .03", .XXX ± .010
 INTERPRET DIM AND TOL PER ASME 14.5M-1994

DESCRIPTION
**LDR BOX FLUSH MNT
 TELES 3-STP 316SS 10 X
 33-1/2**

DRAWN	CONOR W	8/9/2021
CHECKED		



PART NO.
SEE TABLE

REV

SCALE	DO NOT SCALE DRAWING	SIZE B	SHEET 1 OF 1
-------	----------------------	--------	--------------

6

5

4

3

2

1