

6

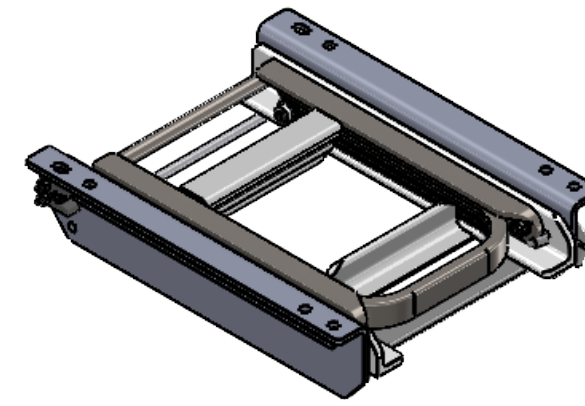
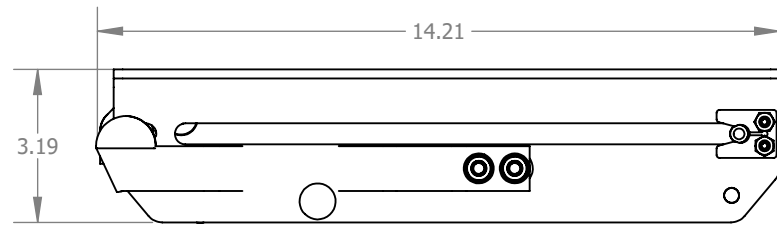
5

4

3

2

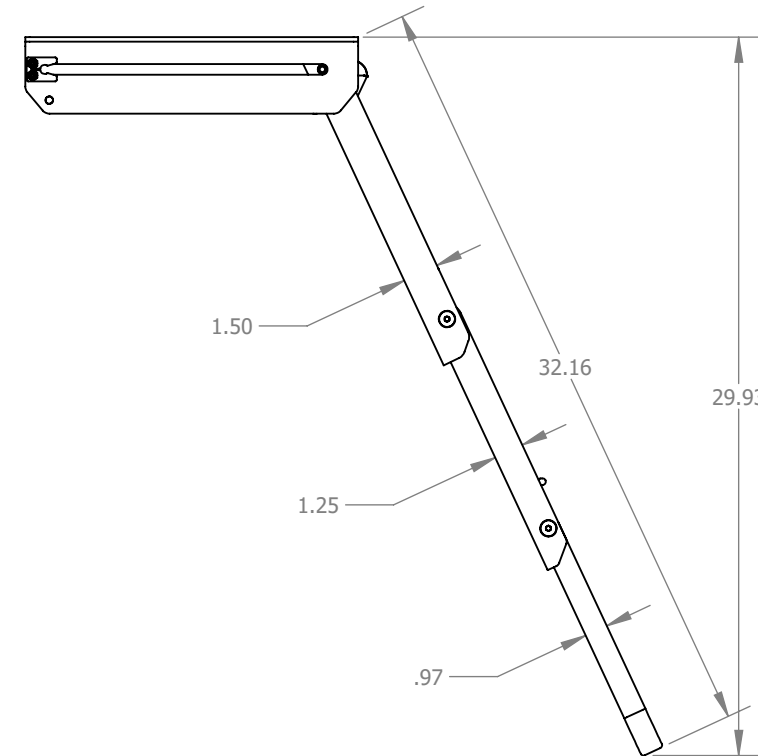
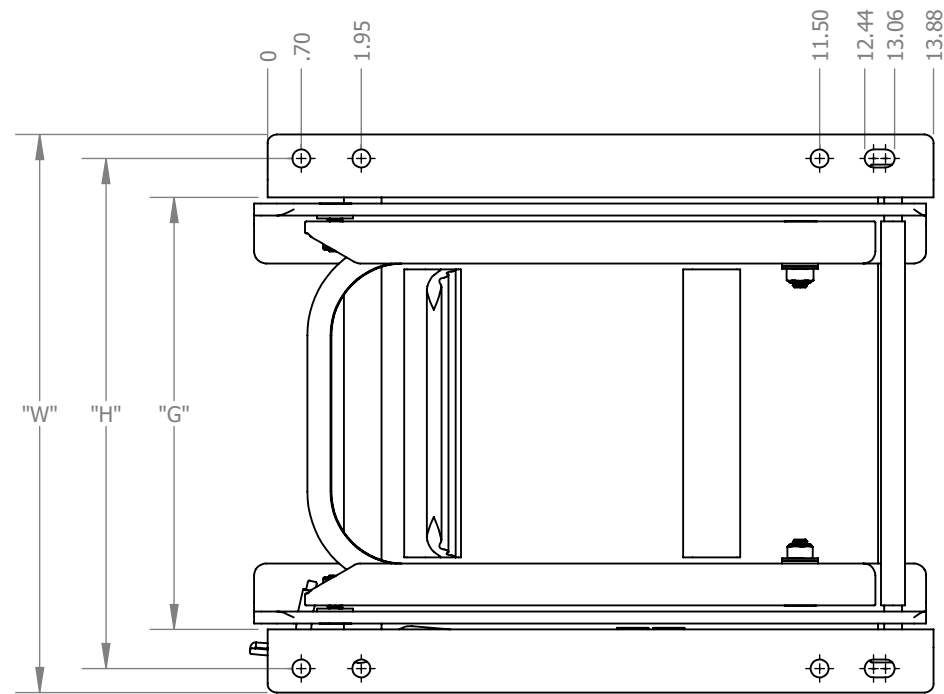
1



STOWED VIEW



DEPLOYED VIEW



A

PART NUMBER	"G"	"H"	"W"
L0223200	17.25	18.87	19.93"
L0213200	13"	14.62"	15.63"
L02F3200	9"	10.62"	11.63"

**PROPRIETARY AND CONFIDENTIAL**

THE INFORMATION CONTAINED IN THIS DRAWING IS THE SOLE PROPERTY OF GG SCHMITT & SONS.

ANY REPRODUCTION IN PART OR AS A WHOLE WITHOUT THE WRITTEN PERMISSION OF GG SCHMITT & SONS IS PROHIBITED.

THIRD ANGLE PROJECTION



UNLESS OTHERWISE SPECIFIED:  
**DIMENSIONS ARE IN INCHES**  
 [SECONDARY IS IN MILLIMETERS]  
**TOLERANCES:**  
 FRACTIONAL: ± 1/16"  
 ANGLE: ± .5°  
 .XX ± .03", .XXX ± .010  
 INTERPRET DIM AND TOL PER  
 ASME 14.5M-1994

DESCRIPTION  
**LADDER UNDRMNT 3-STEP**

DRAWN CONOR .W 9/14/2021  
 CHECKED

**GG Schmitt & Sons**

PART NO.  
**SEE TABLE**

SCALE **1:4** DO NOT SCALE DRAWING SIZE **B** SHEET **1 OF 1**

REV

6

5

4

3

2

1