

6

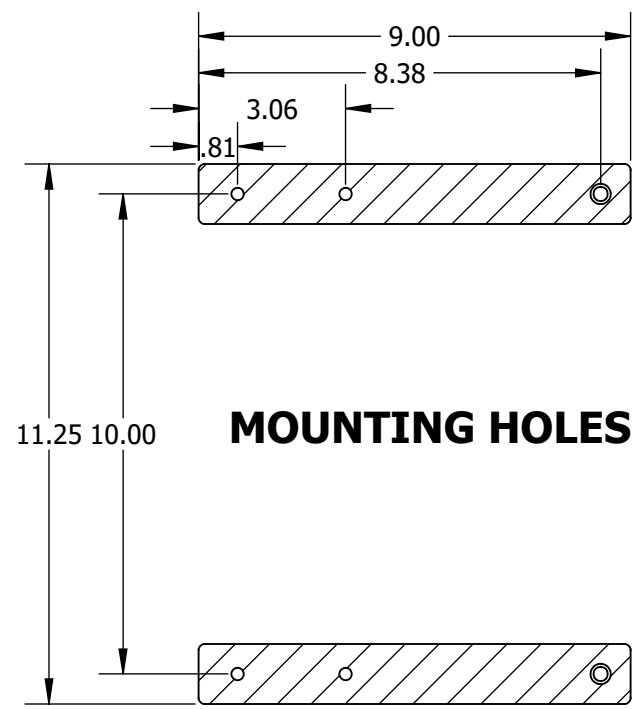
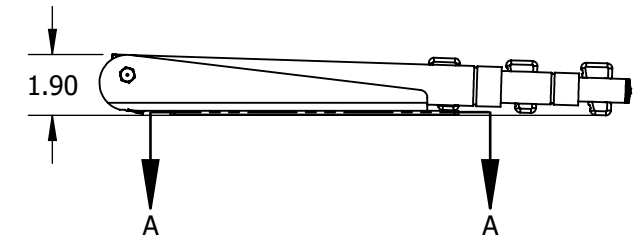
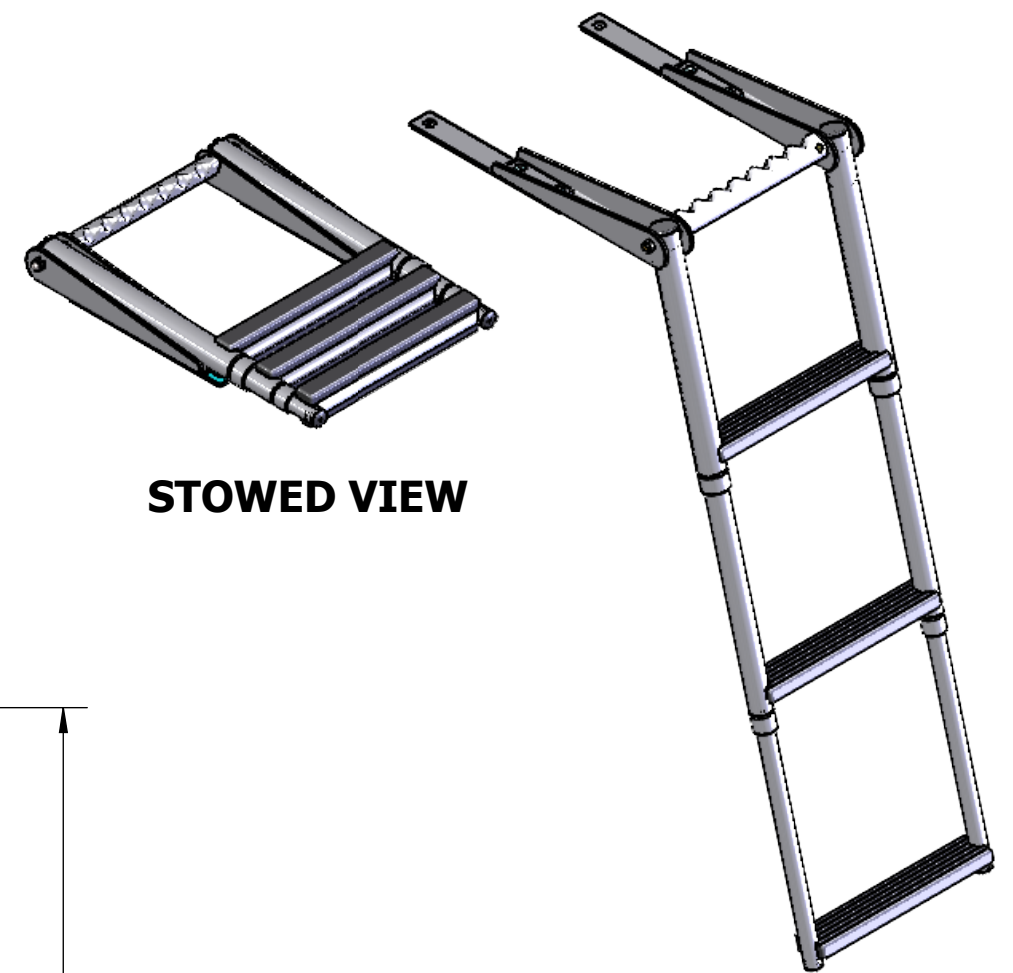
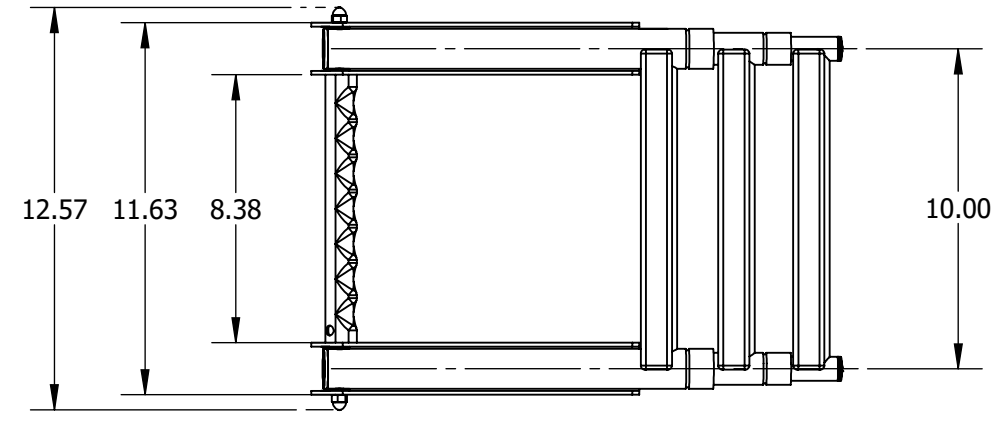
5

4

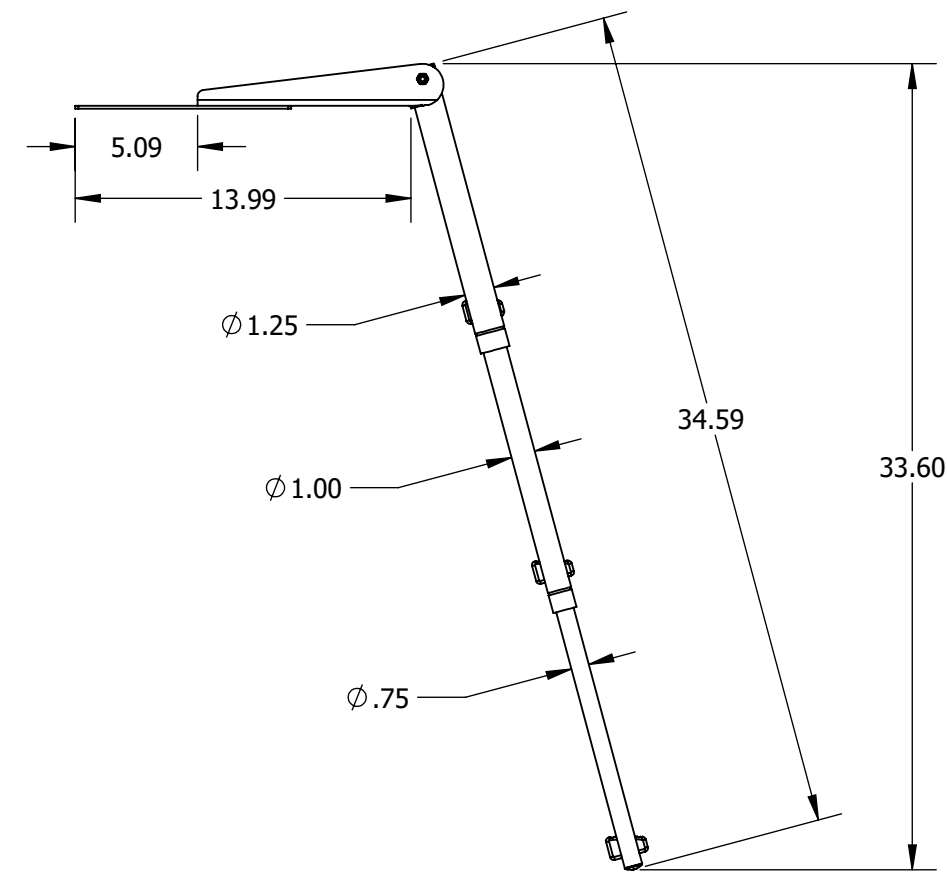
3

2

1



SECTION A-A
SCALE 1 : 4



<p>PROPRIETARY AND CONFIDENTIAL</p> <p>THE INFORMATION CONTAINED IN THIS DRAWING IS THE SOLE PROPERTY OF GG SCHMITT & SONS.</p> <p>ANY REPRODUCTION IN PART OR AS A WHOLE WITHOUT THE WRITTEN PERMISSION OF GG SCHMITT & SONS IS PROHIBITED.</p>	<p>THIRD ANGLE PROJECTION</p> <p>UNLESS OTHERWISE SPECIFIED: DIMENSIONS ARE IN INCHES [SECONDARY IS IN MILLIMETERS]</p> <p>TOLERANCES: FRACTIONAL: 1/16" ANGLE: ± 5° .XX ± .03", .XXX ± .010 INTERPRET DIM AND TOL PER ASME 14.5M-1994</p>	<p>DESCRIPTION LDR RND 3-STP TELES FLIPOVER/SLIDE 10"X 35"LG</p>			<p>GG Schmitt & Sons</p> <p>2821 Old Tree Dr Lancaster, PA 17603 (717)394-2301</p> <p>7220 15th St. E Sarasota, FL 34243 (941)562-1927</p>			
		<p>DRAWN CONOR W 8/10/2021</p> <p>CHECKED</p>	<p>SCALE</p>	<p>DO NOT SCALE DRAWING</p>	<p>SIZE B</p>	<p>SHEET 1 OF 1</p>	<p>PART NO. L2T13100</p>	<p>REV</p>

6

5

4

3

2

1