

6

5

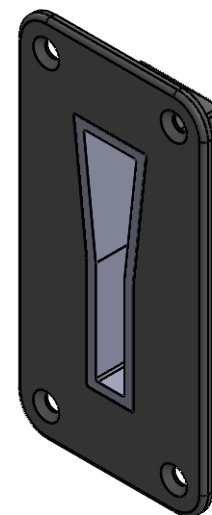
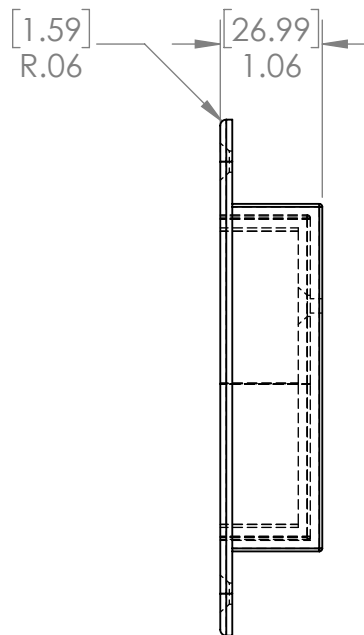
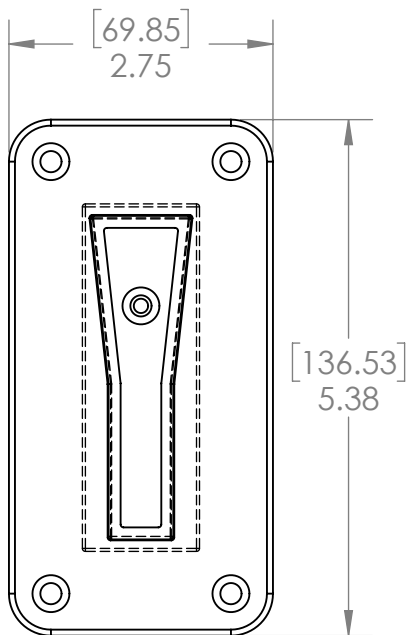
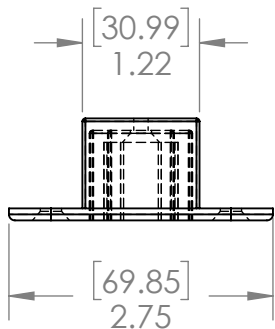
4

3

2

1

REVISIONS			
REV.	DESCRIPTION	DATE	APPROVED
A	FINISHING NOTES ADDED.	12/13/2021	MW



D

C

B

A

D

C

B

A

6

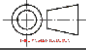

5

4

3

2

1

PROPRIETARY AND CONFIDENTIAL THE INFORMATION CONTAINED IN THIS DRAWING IS THE SOLE PROPERTY OF GGSCHMITT & SONS. ANY REPRODUCTION IN PART OR AS A WHOLE WITHOUT THE WRITTEN PERMISSION OF GGSCHMITT & SONS IS PROHIBITED.	THIRD ANGLE PROJECTION  UNLESS OTHERWISE SPECIFIED: DIMENSIONS ARE IN INCHES [SECONDARY IS IN MILLIMETERS] TOLERANCES: FRACTIONAL: 1/16" ANGLE: ± 5° .XX ± .05", XXX ± .010 INTERPRET DIM AND TOL PER ASME 14.5M-1994	DESCRIPTION STRIKE, SS GGS DIVE DOOR LATCH					PART NO. GG03248C		REV A
		DRAWN CHECKED	MW	11/16/2021	SCALE 1:2	DO NOT SCALE DRAWING	SIZE A	SHEET 1 OF 3	

6

5

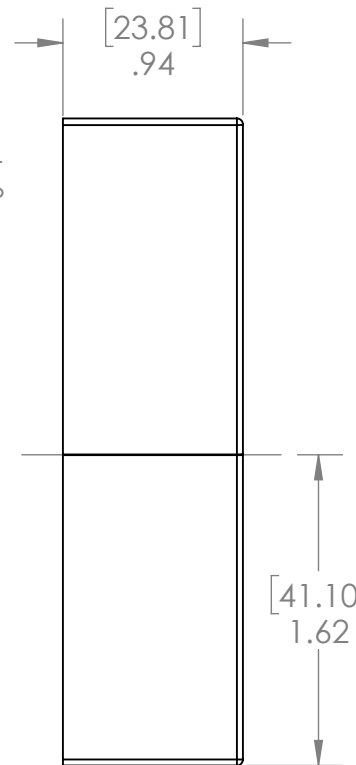
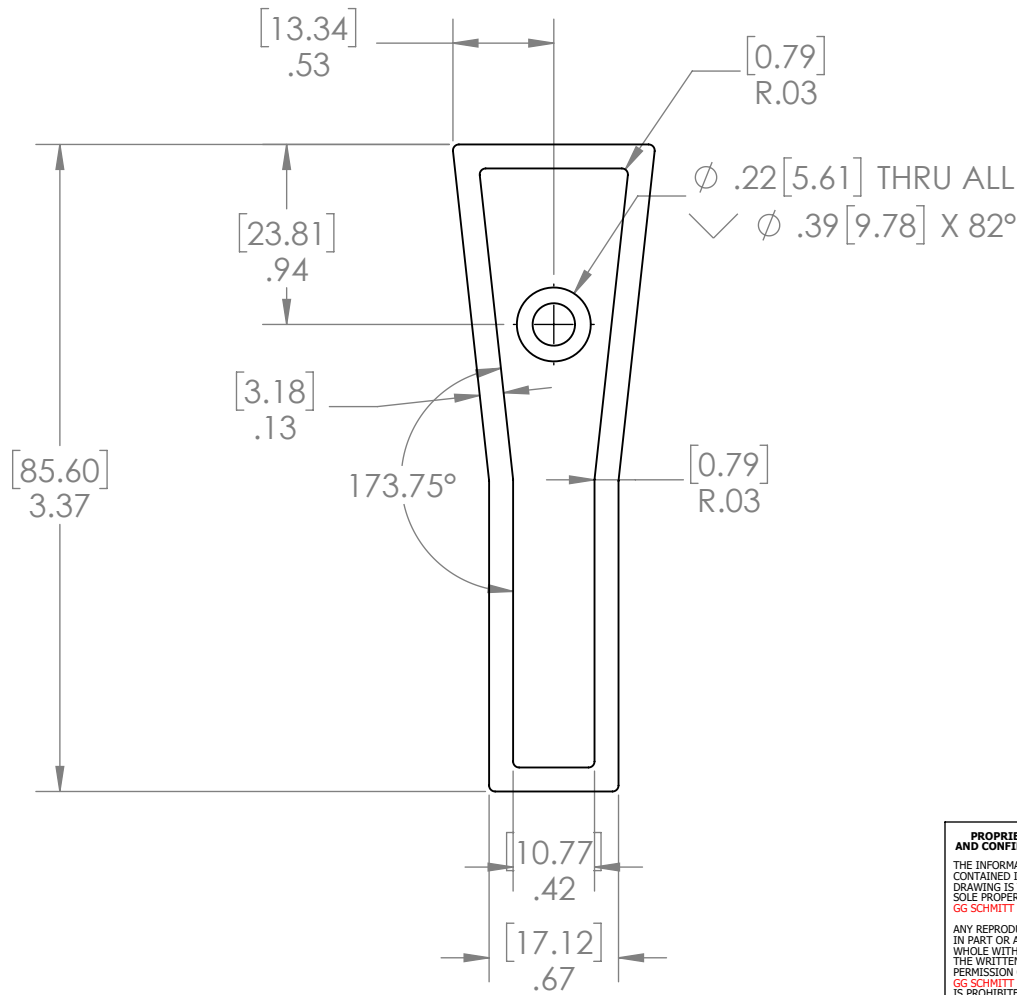
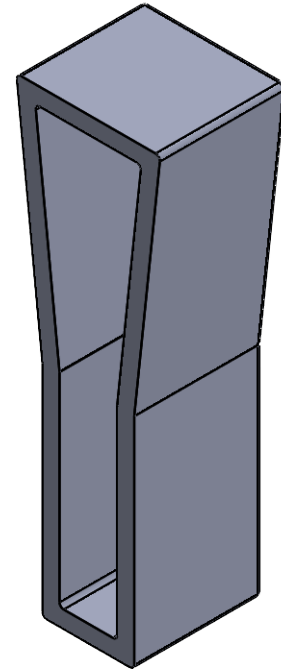
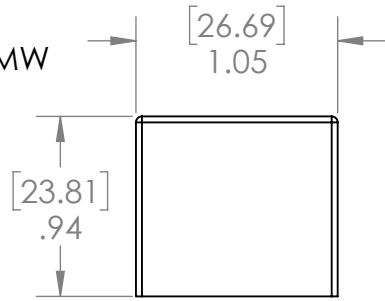
4

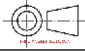

3

2

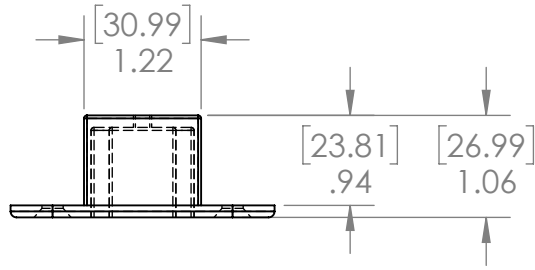
1

MAT: TIVAR 88 UHMW
PN: 4-70064

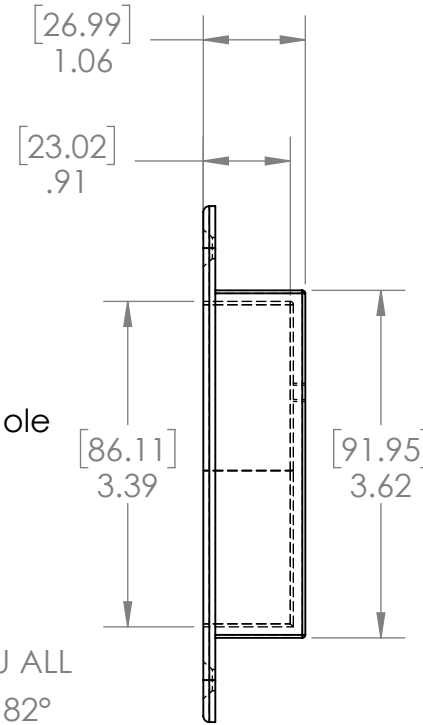
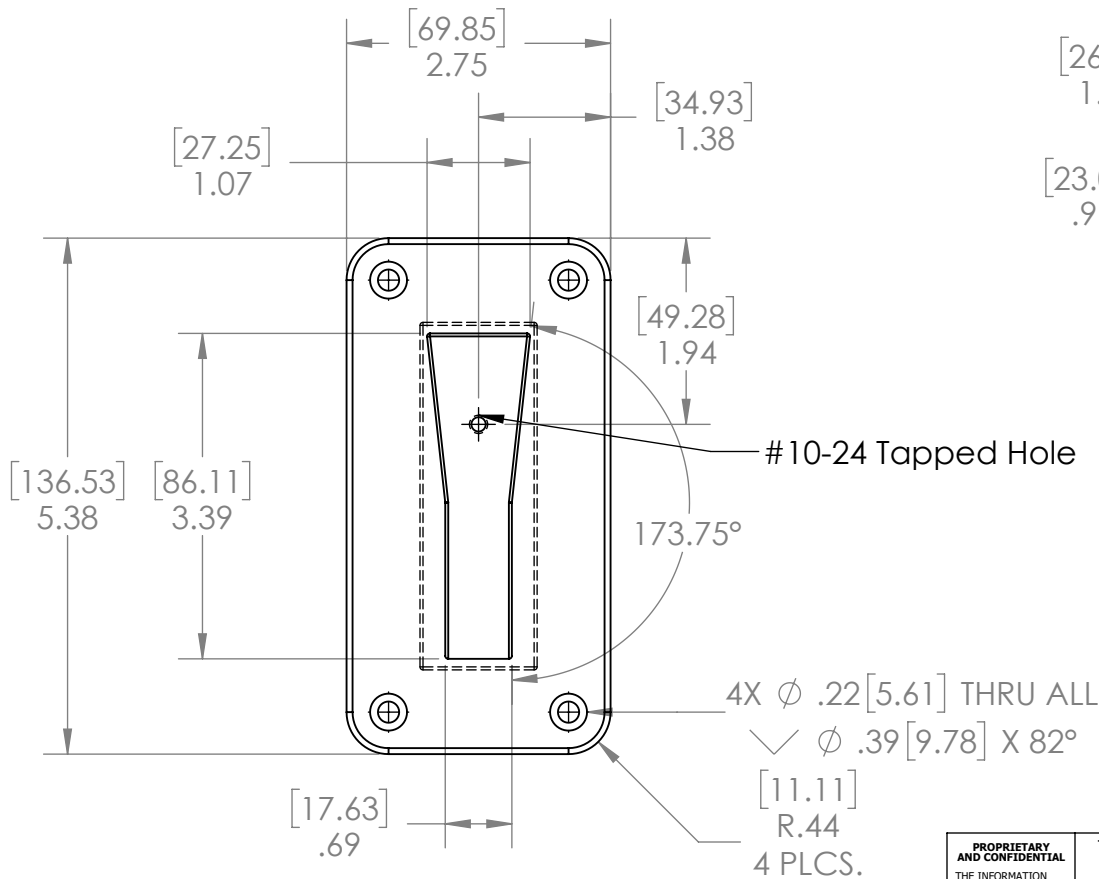
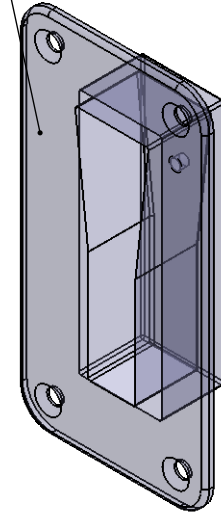


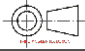

PROPRIETARY AND CONFIDENTIAL THE INFORMATION CONTAINED IN THIS DRAWING IS THE SOLE PROPERTY OF GGSCHMITT & SONS. ANY REPRODUCTION IN PART OR AS A WHOLE WITHOUT THE WRITTEN PERMISSION OF GGSCHMITT & SONS IS PROHIBITED.	THIRD ANGLE PROJECTION  UNLESS OTHERWISE SPECIFIED: DIMENSIONS ARE IN INCHES [SECONDARY IS IN MILLIMETERS] TOLERANCES: FRACTIONAL: 1/16" ANGLE: ± 5° .XX ± .03", .XXX ± .010 INTERPRET DIM AND TOL PER ASME 14.5M-1994	DESCRIPTION STRIKE, SS GGS DIVE DOOR LATCH					PART NO. GG03248C		REV A	
		DRAWN CHECKED	MW	11/16/2021	SCALE 1:1	DO NOT SCALE DRAWING	SIZE A	SHEET 2 OF 3		

MAT: SS T316L
 PN: 4-70065
 FINISH: #8 POLISH



MOUNTING FACE AND EDGES SHOULD BE #8 POLISH.



PROPRIETARY AND CONFIDENTIAL THE INFORMATION CONTAINED IN THIS DRAWING IS THE SOLE PROPERTY OF GG SCHMITT & SONS. ANY REPRODUCTION IN PART OR AS A WHOLE WITHOUT THE WRITTEN PERMISSION OF GG SCHMITT & SONS IS PROHIBITED.	THIRD ANGLE PROJECTION  UNLESS OTHERWISE SPECIFIED: DIMENSIONS ARE IN INCHES [SECONDARY IS IN MILLIMETERS] TOLERANCES: FRACTIONAL: 1/16" ANGLE: ± 5° XX ± .03", XXX ± .010 INTERPRET DIM AND TOL PER ASME 14.5M-1994	DESCRIPTION STRIKE, SS GGS DIVE DOOR LATCH						
		DRAWN CHECKED	MW	11/16/2021	PART NO. GG03248C	REV A	SCALE 1:1	DO NOT SCALE DRAWING