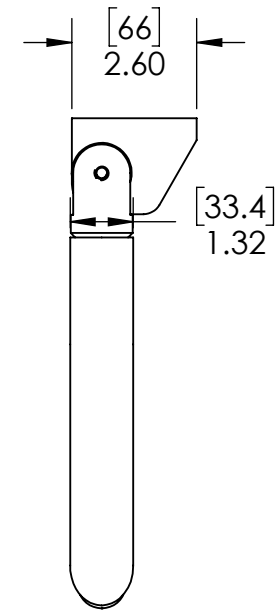
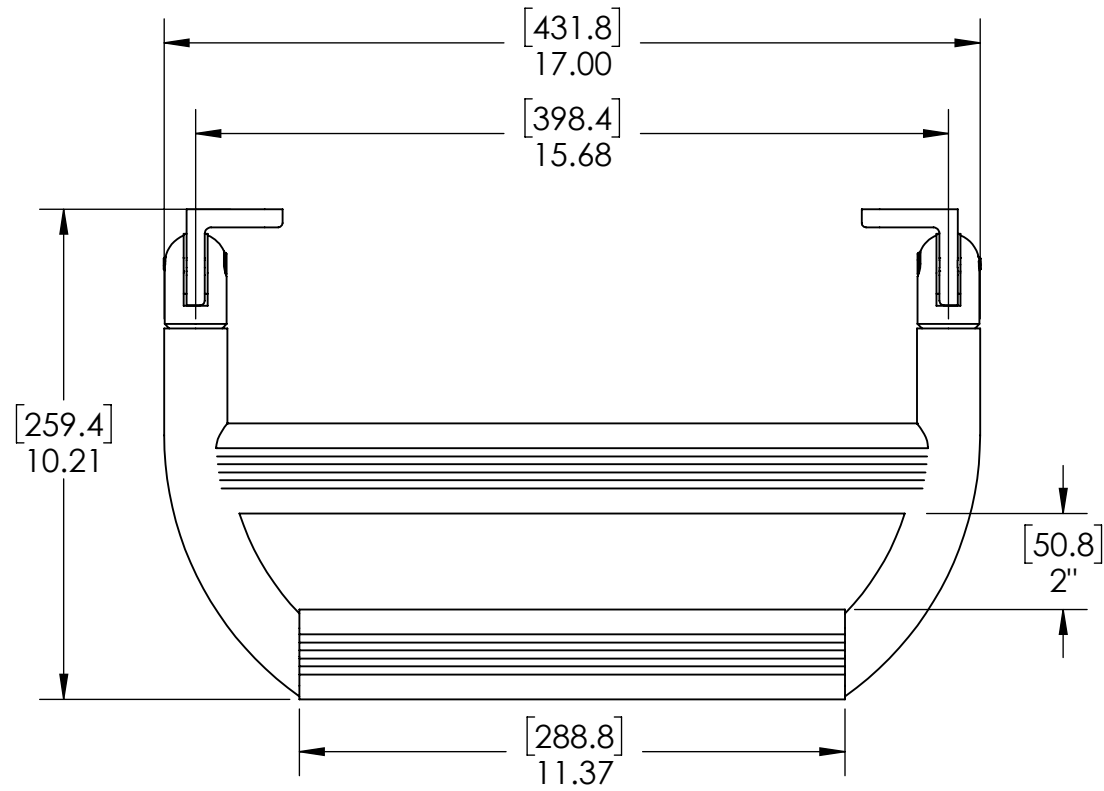
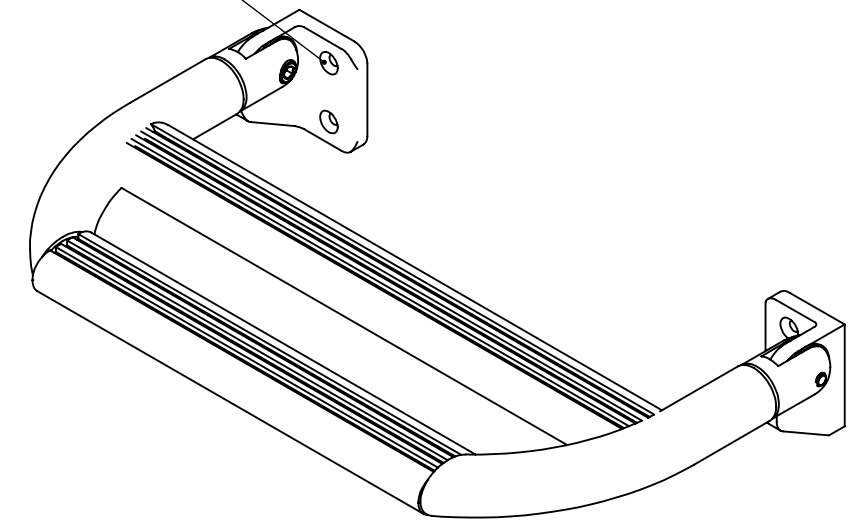


A B C D E F G H

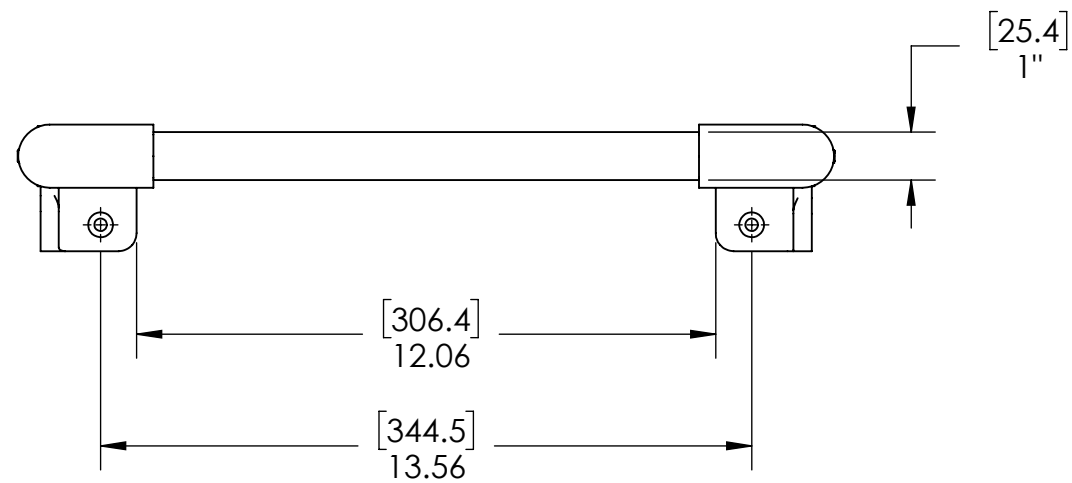
FINISH PRODUCT CUSTOMER PRODUCT COLOR



C'SINK POSITIONED INBOARD AS SHOWN 2X



SHOWN IN DOWN (STEP) POSITION



STATUS		THIS DOCUMENT AND ANY OTHER INFORMATION ASSOCIATED WITH THIS DOCUMENT IS THE SOLE PROPERTY OF GG SCHMITT & SONS AND SHALL NOT BE COPIED OR DISTRIBUTED WITHOUT CONSENT.	
<b>TOLERANCES</b> $\frac{1}{16}'' = \pm \frac{1}{16}''$ $.XXX'' = \pm .005''$ UNLESS OTHERWISE NOTED			
THIRD ANGLE  PROJECTION			
DRAWN BY	RPOLITE	RELEASED BY	04/27/16
REVISED BY		ECN	
REVISION COMMENTS			
DESCRIPTION			
17" FOOT REST			
MATERIAL	ALUM	SCALE	1:4
FINISH		SHEET	1 OF 1
PROJECT	DRAWING NUMBER	CLASS	REV.
	GG00763		

A B C D E F G H

DRAWING: \\A:\XIP - Vault\GGGS Vault\Drawing Base\Regulator\17" Foot Rest\GG00763-WEBSITE  
 8 C:\XIP - Vault\GGGS Vault\Drawing Base\Regulator\17" Foot Rest\17 Inch\Drawings\GG00763