

6

5

4

3

2

1

D

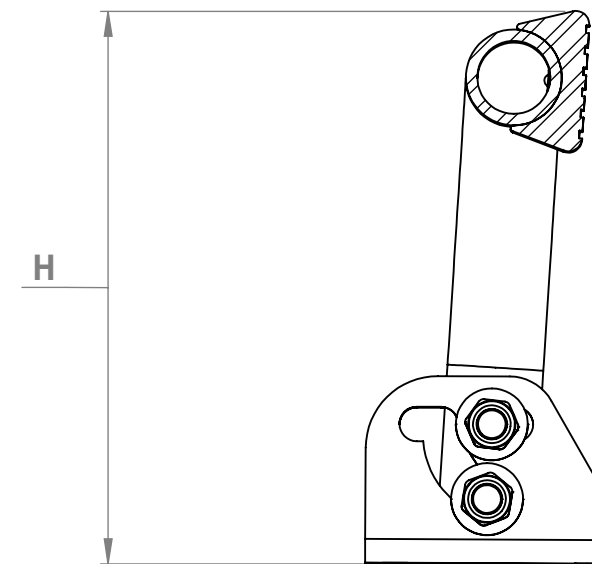
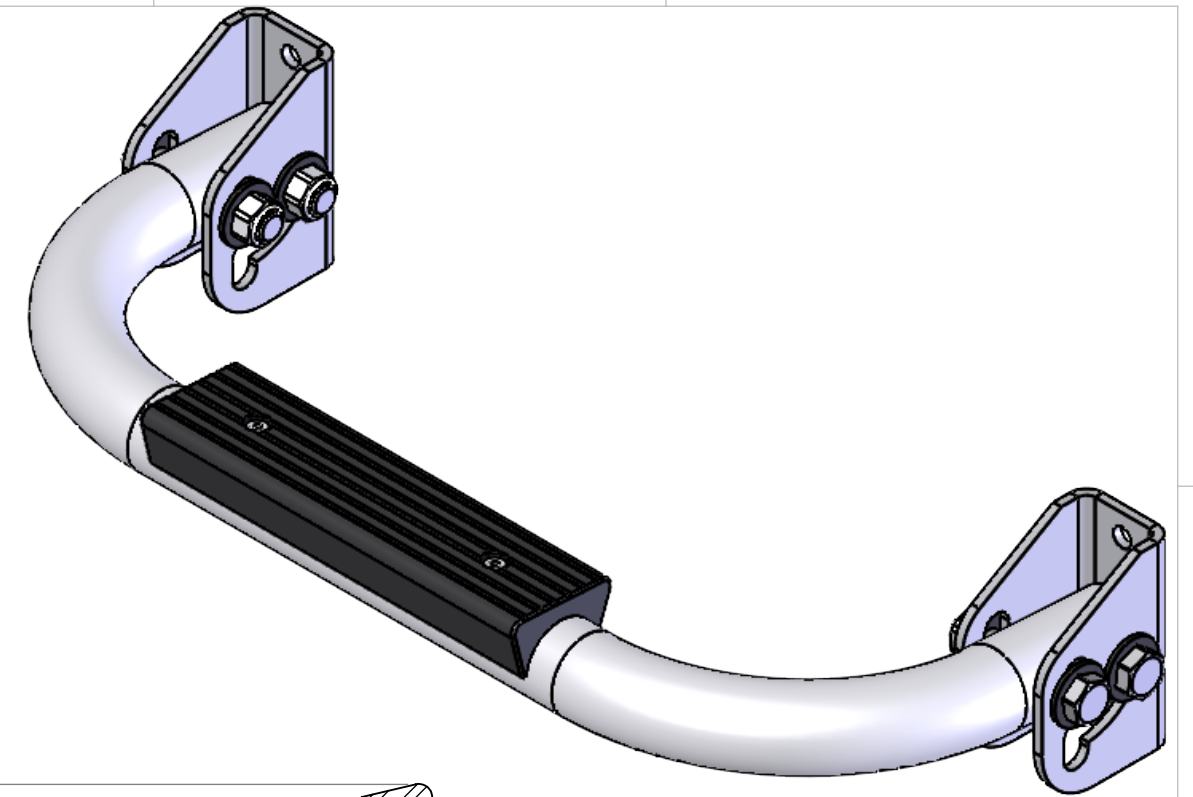
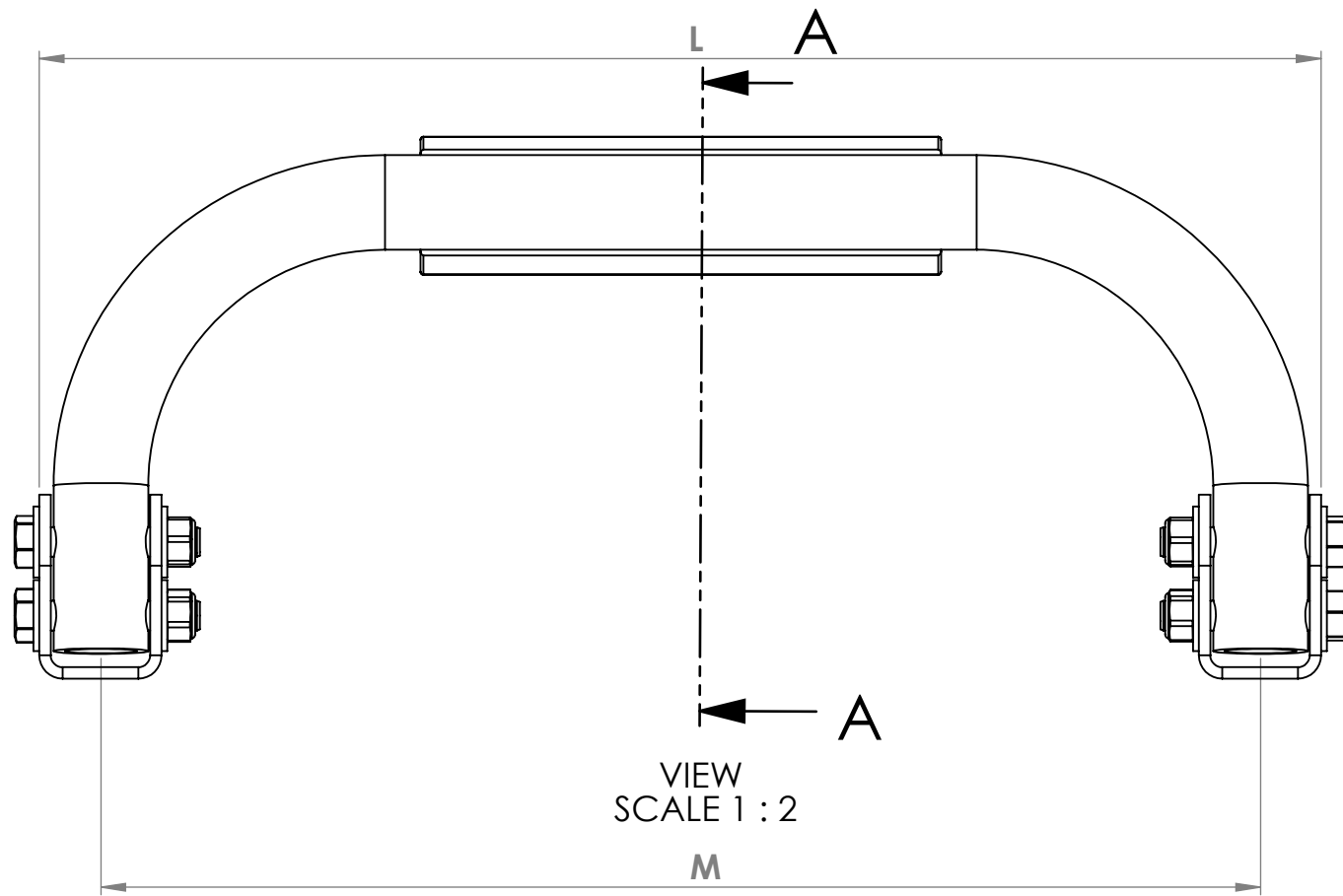
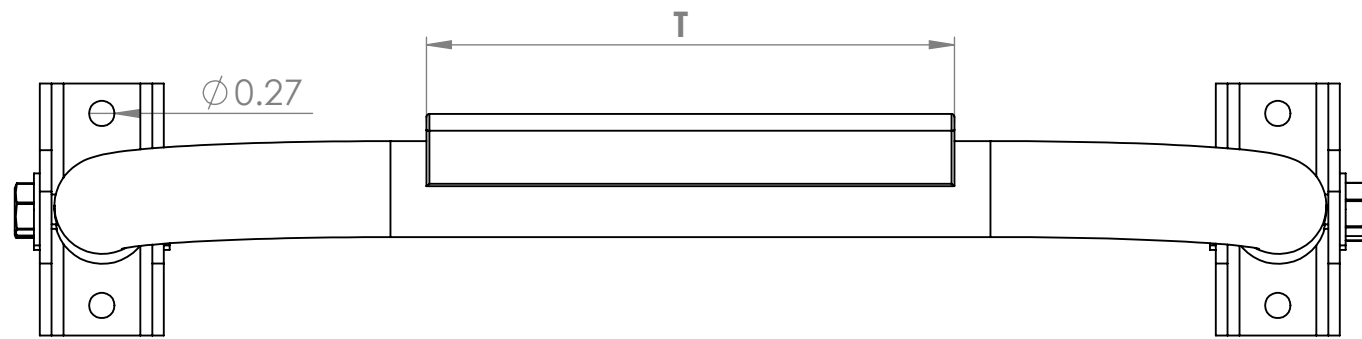
D

C

C

B

B



SECTION A-A
SCALE 1 : 2

PART NUMBER	"L"	"M"	"H"	"T"
93014-1	13.54	12.25	5.73	5.50
93014-5	13.54	12.25	9.25	5.50
93018-4	18.00	16.71	8.56	10.00
93024-1	24.04	22.75	5.73	15.25
93026-6	26.00	24.71	11.55	18.00
93028-1	27.79	26.50	5.73	20.00
93028-4	27.79	26.50	8.48	20.00

PROPRIETARY AND CONFIDENTIAL

THE INFORMATION CONTAINED IN THIS DRAWING IS THE SOLE PROPERTY OF GG SCHMITT & SONS.

ANY REPRODUCTION IN PART OR AS A WHOLE WITHOUT THE WRITTEN PERMISSION OF GG SCHMITT & SONS IS PROHIBITED.

THIRD ANGLE PROJECTION

UNLESS OTHERWISE SPECIFIED:
DIMENSIONS ARE IN INCHES
[SECONDARY IS IN MILLIMETERS]

TOLERANCES:
FRACTIONAL: ± 1/16"
ANGLE: ± 5°
.XX ± .03", .XXX ± .010
INTERPRET DIM AND TOL PER ASME 14.5M-1994

DESCRIPTION
FOOTREST FOLD DOWN

DRAWN

CHECKED

2821 Old Tree Dr
Lancaster, PA 17603
(717)394-2301

7220 15th St. E
Sarasota, FL 34243
(941)562-1927

PART NO.
SEE TABLE

REV

SCALE **1:1**

DO NOT SCALE DRAWING

SIZE **B**

SHEET **1 OF 1**

6

5

4

3

2

1

A

A