

6

5

4

3

2

1

D

D

C

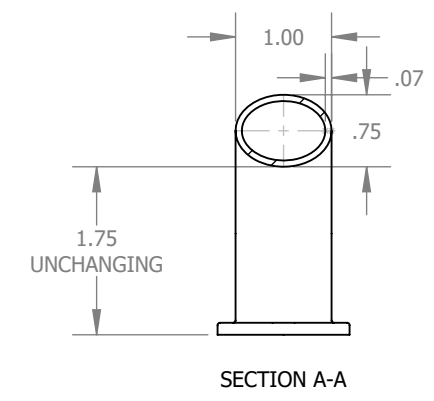
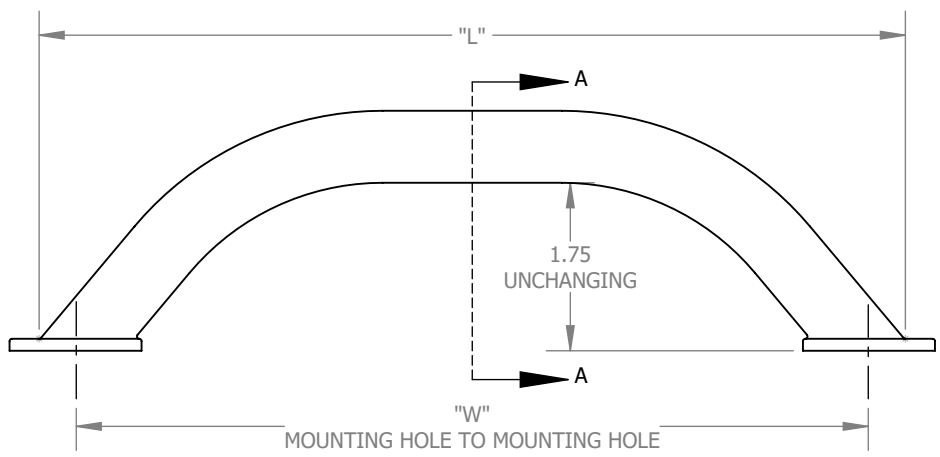
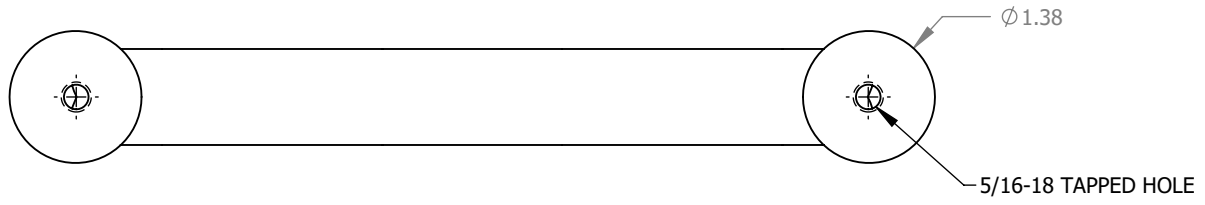
C



B

B

A

A



PROPRIETARY AND CONFIDENTIAL THE INFORMATION CONTAINED IN THIS DRAWING IS THE SOLE PROPERTY OF GG SCHMITT & SONS. ANY REPRODUCTION IN PART OR AS A WHOLE WITHOUT THE WRITTEN PERMISSION OF GG SCHMITT & SONS IS PROHIBITED.	THIRD ANGLE PROJECTION  UNLESS OTHERWISE SPECIFIED: DIMENSIONS ARE IN INCHES [SECONDARY IS IN MILLIMETERS] TOLERANCES: FRACTIONAL ± 1/16" ANGLE: ± 5° .XX ± .05", XXX ± .010 INTERPRET DIM AND TOL PER ASME 14.5M-1994	DESCRIPTION RAIL, GRAB W/PADS				
		PART NO. SEE TABLE			REV A	
DRAWN CONOR W	8/12/2021	SCALE 1:2	DO NOT SCALE DRAWING	SIZE A	SHEET 1 OF 1	

PART NUMBER	"L"	"W" = "L" - .75
63109	9"	8.25"
63112	12"	11.25"

6

5

4

3

2

1