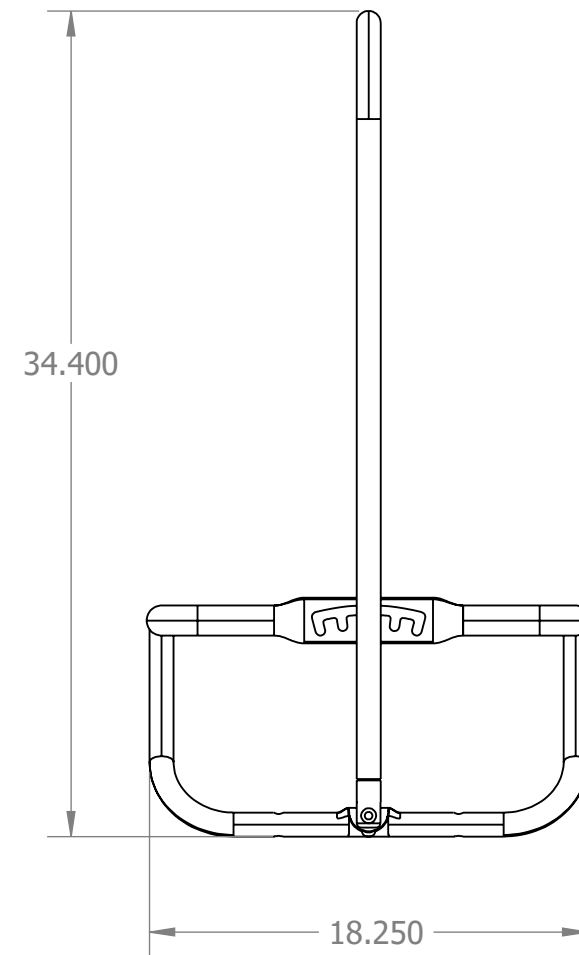
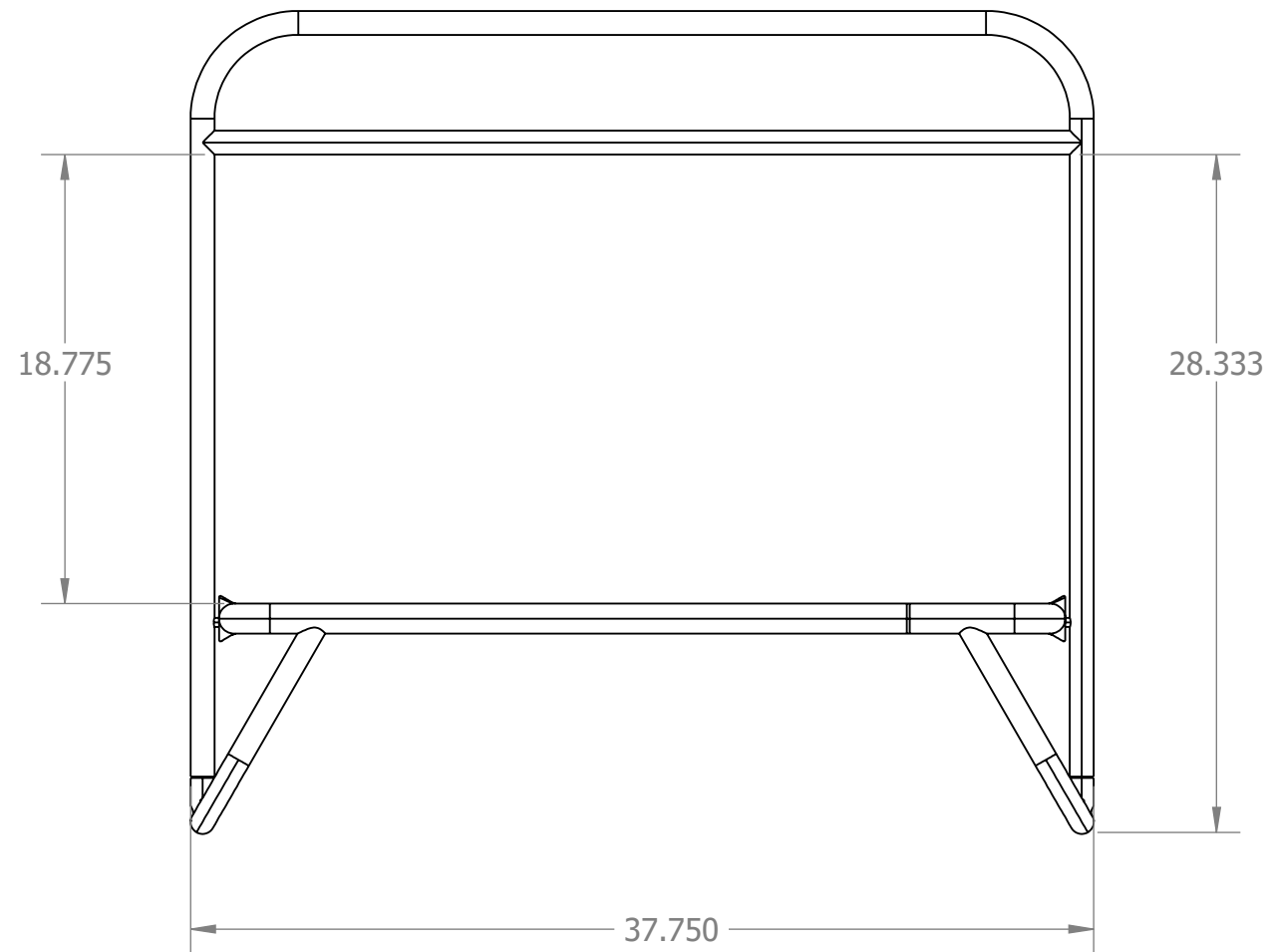
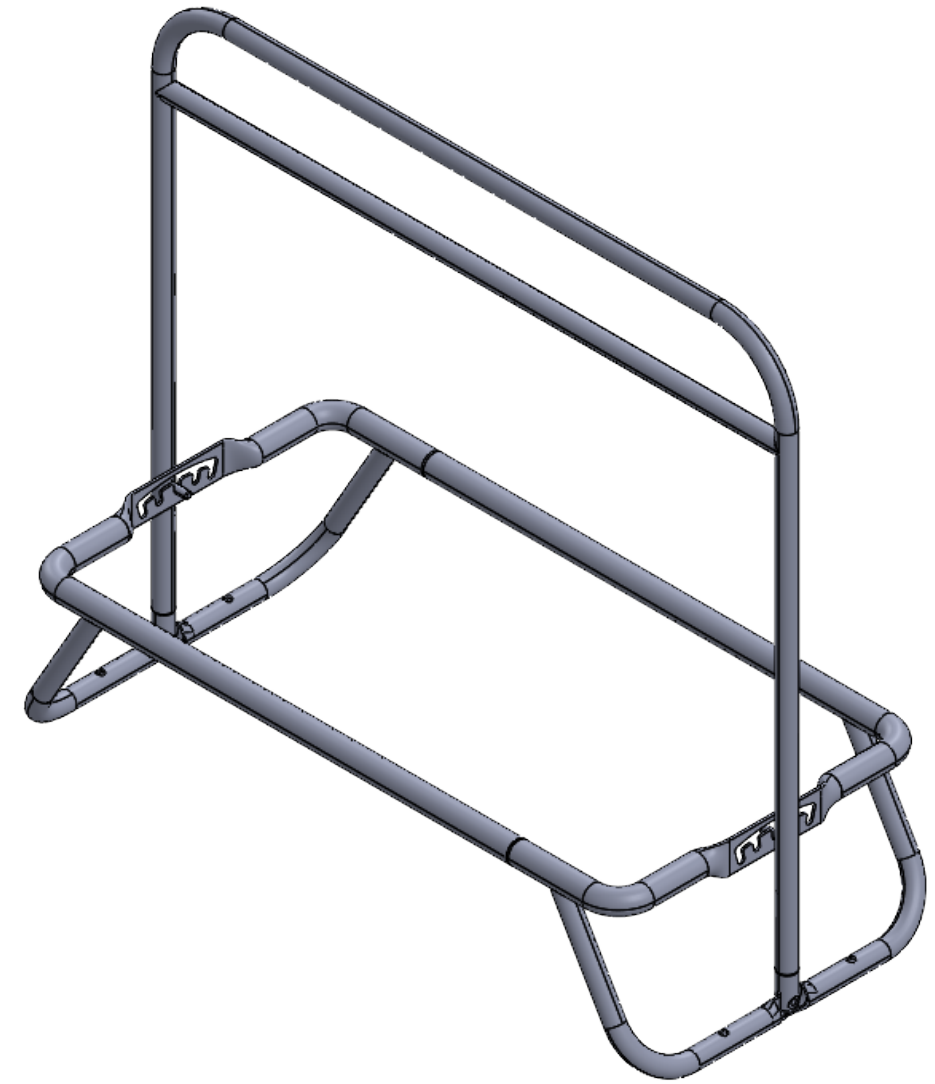
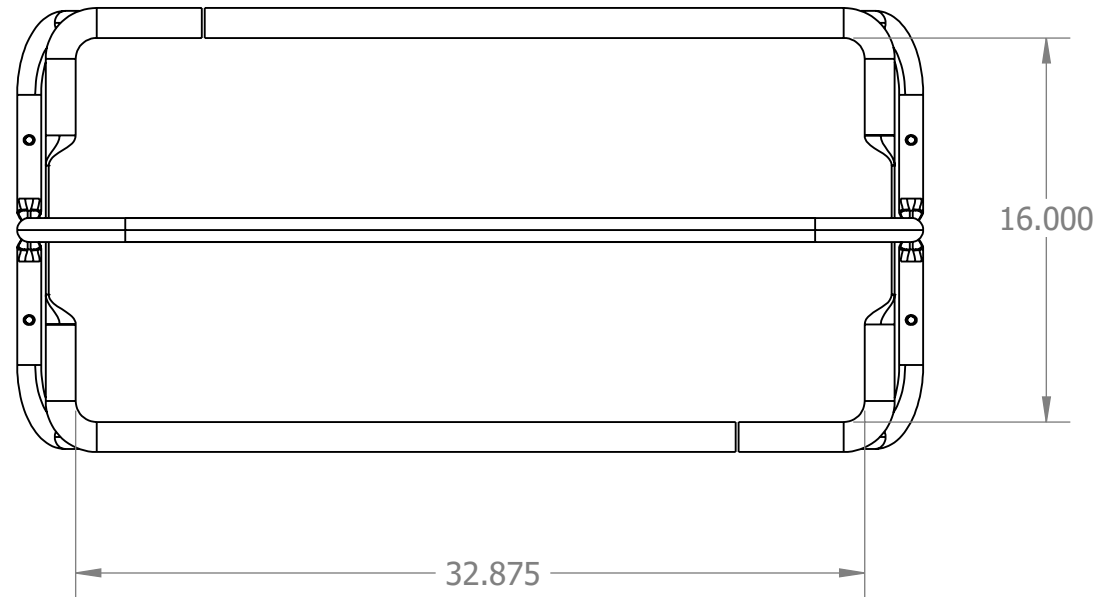




FINISH PRODUCT

CUSTOMER PRODUCT

COLOR



| | | | |
|---|----------------|---|------|
| STATUS | | | |
| TOLERANCES $\frac{1}{16}'' = \pm \frac{1}{16}''$ $.XXX'' = \pm .005''$ UNLESS OTHERWISE NOTED | | THIS DOCUMENT AND ANY OTHER INFORMATION ASSOCIATED WITH THIS DOCUMENT IS THE SOLE PROPERTY OF GG SCHMITT & SONS AND SHALL NOT BE COPIED OR DISTRIBUTED WITHOUT CONSENT. | |
| THIRD ANGLE  | |  | |
| DRAWN BY | | RELEASED BY | |
| REVISED BY | | ECN | |
| REVISION COMMENTS | | | |
| DESCRIPTION | | | |
| BASIC 100 CT LP SEAT | | | |
| MATERIAL | | SCALE | |
| T304 | | 1:8 | |
| FINISH | | SHEET | |
| POLISHED | | 1 OF 1 | |
| PROJECT | DRAWING NUMBER | CLASS | REV. |
| | 26538C.GG | | ANY |