

6

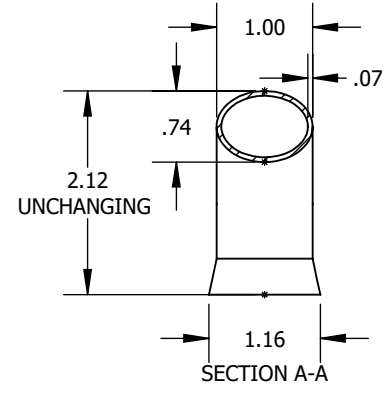
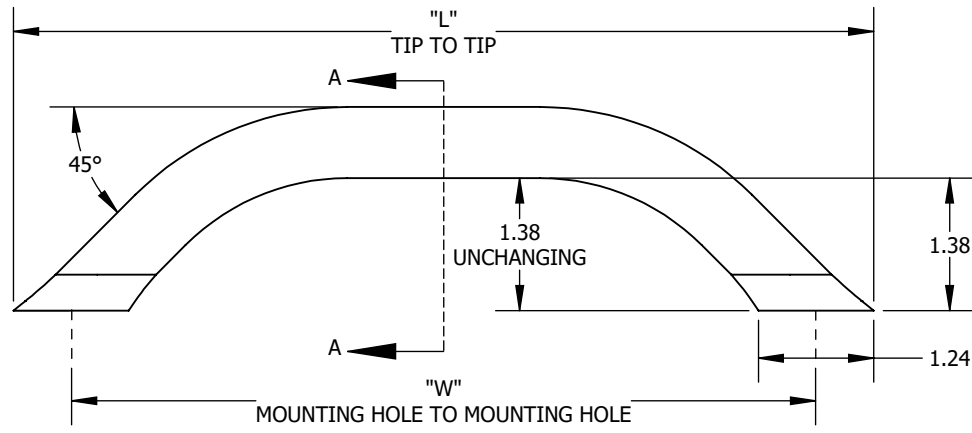
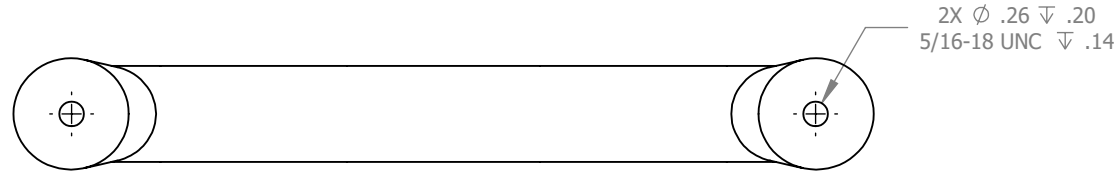
5

4

3

2

1



PART NUMBER	"L"	"W"="L"-1.25
22256-0-09	9"	7.75"
22256-0-12	12"	10.75"
22256-0-15	15"	13.75"
22256-0-18	18"	16.75"
22256-0-20	20"	18.75"
22256-0-24	24"	22.75"

PROPRIETARY AND CONFIDENTIAL
THE INFORMATION CONTAINED IN THIS DRAWING IS THE SOLE PROPERTY OF GG SCHMITT & SONS.
ANY REPRODUCTION IN PART OR AS A WHOLE WITHOUT THE WRITTEN PERMISSION OF GG SCHMITT & SONS IS PROHIBITED.

THIRD ANGLE PROJECTION

UNLESS OTHERWISE SPECIFIED: DIMENSIONS ARE IN INCHES [SECONDARY IS IN MILLIMETERS]
TOLERANCES:
FRACTIONAL ± 1/16"
ANGLE: ± 5°
XX ± .05", XXX ± .010
INTERPRET DIM AND TOL PER ASME 14.5M-1994

DESCRIPTION
GRAB FLARED ENDS 7/8 OVL

DRAWN	CONOR W	1/5/2022
CHECKED		

GG Schmitt & Sons
PART NO. **SEE TABLE**
SCALE **1:2**
DO NOT SCALE DRAWING
SIZE **A**
SHEET **1 OF 1**

6

5

4

3

2

1