

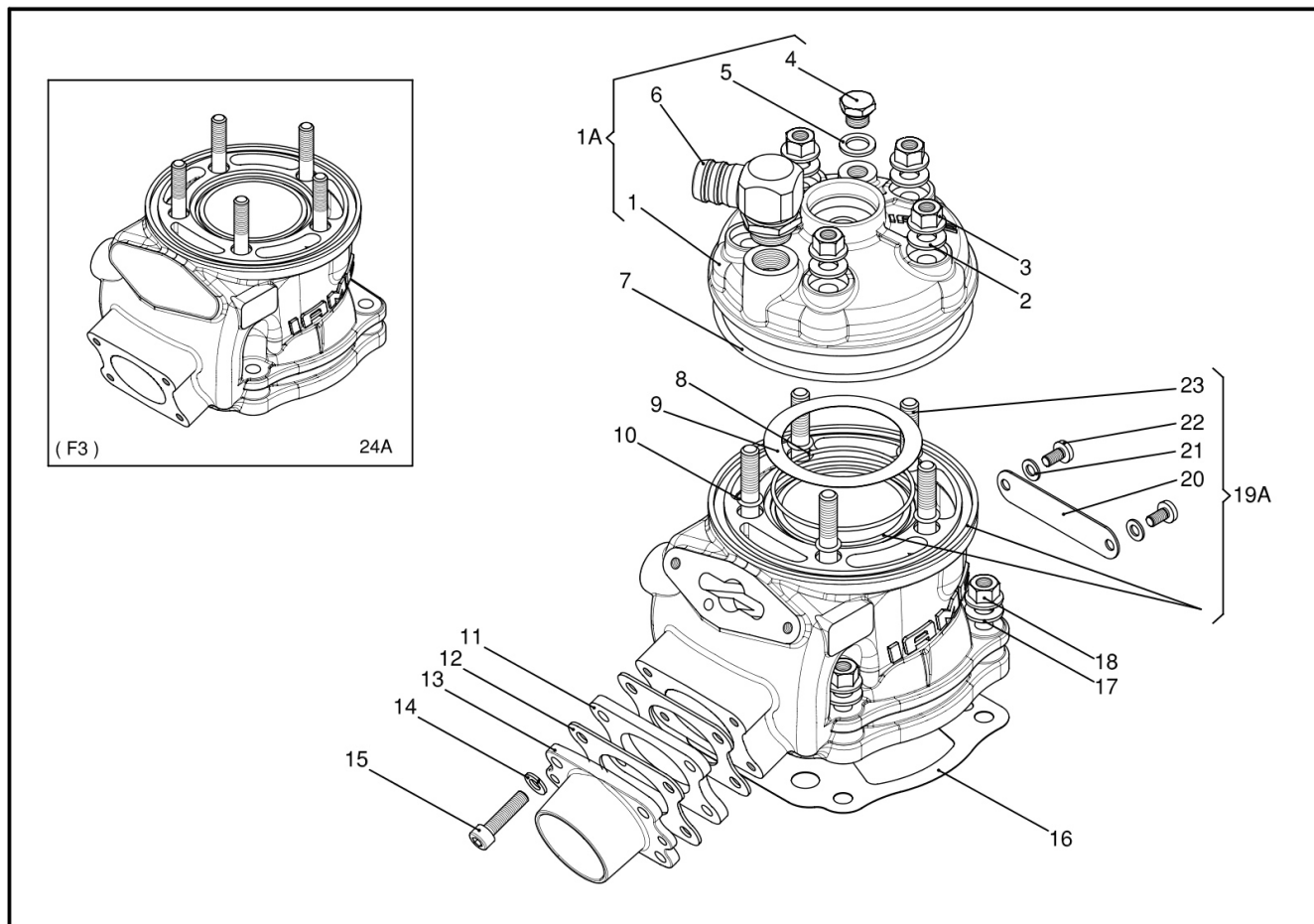
**IAME**

The heart of kart

**PARILLA - REEDSTER KF1**



# HEAD AND CYLINDER

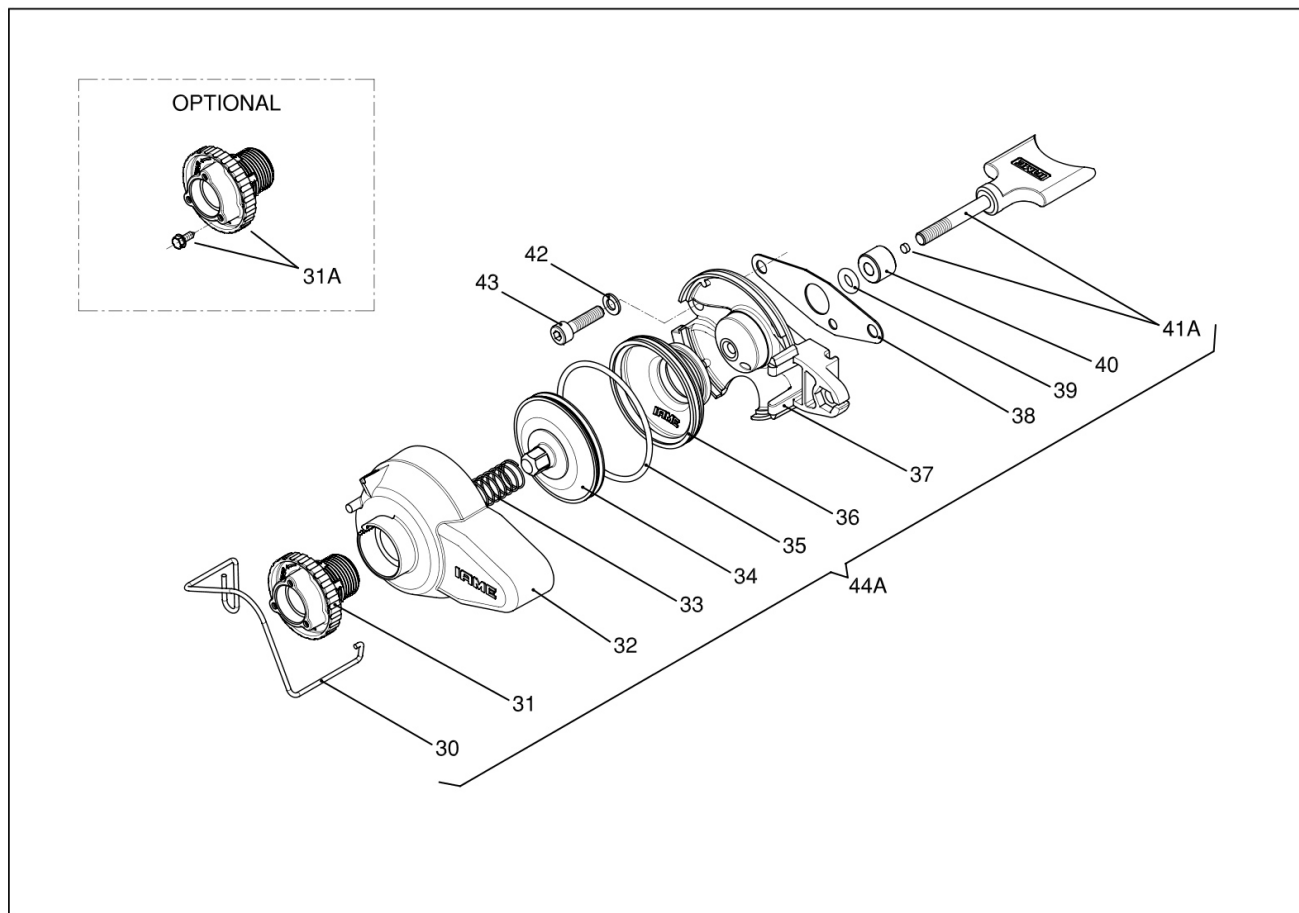


CAT-274

## RICAMBI / SPARES

POS	COD	DESCR
001	IFA-40154-C	CYL. HEAD&FITT. REEDS.F2'09
002	00303-K	KIT OF 20 HEAD WASHERS M8
003	00363-K	KIT 20 REEDSTER HEAD NUT
004	B-25840	TEMP. GAUGE PLUG
005	B-25845	TEMP. GAUGE PLUG GASKET
006	IFA-04401	ORIENTABLE COMPL.FITTING PIPE
007	IFA-40300	HEAD GASKET OR REEDSTER / XTR
008	IFA-42200	HEAD GASKET OR REEDSTER / XTR
009	IFA-40200-0.05	HEAD GASKET CU 0.05 REED/XTR
009	IFA-40200-0.10	HEAD GASKET CU 0.10 REEDS/XTR
010	B-25825	TIE-ROD GASKET OR
011	IFH-20500	EXHAUST SPACER REEDSTER
012	IFA-20500	EXHAUST PIPE GASKET REED/XTR
013	IFH-02000	EXHAUST PIPE FITTING REED/XTR
014	00331-K	KIT 20 EXHAUST WASHERS REEDSTE
015	00045-K	20 SCREWS M6X25 KIT
016	IFB-10450-0.1	CYL. GASKET 1/10 REEDSTER
016	IFB-10450-0.2	CYL. GASKET 2/10 REEDSTER
016	IFB-10450-0.3	CYL. GASKET 3/10 REEDSTER
016	IFB-10450-0.4	CYL. GASKET 4/10 REEDSTER
016	IFB-10450-0.5	CYL. GASKET 5/10 REEDSTER
017	00306-K	KIT 20 CYLINDER WASHERS REEDST
018	IFA-20300	CYL. UNDERSIZE NUT REED/XTR
019A	IFA-01053	REEDSTER CYLINDER F1/F2 '09
020	IFB-40500	REEDSTER PLATE
021	00301-K	KIT 20 WASHERS M5
022	00257-K	20 PLATE SCREWS KIT
023	IFA-20200	FIXING HEAD STUDBOLT REED/XTR

# VALVE GROUP

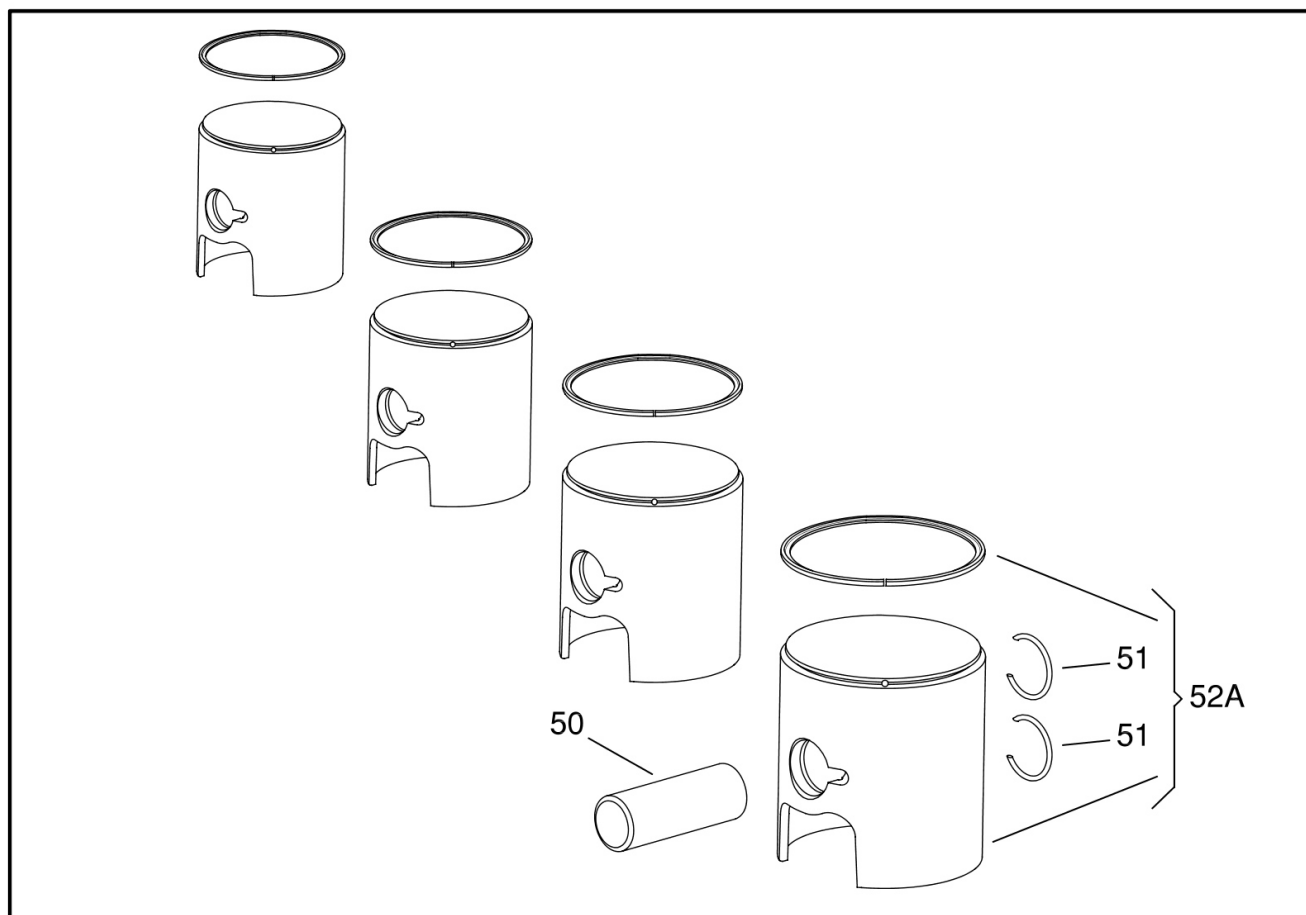


CAT-275

## RICAMBI / SPARES

POS	COD	DESCR
030	IFA-81200	VALVE COVER RETAINER KF1-2-4
031	IFA-81002	VALVE ADJUSTABLE SCREW'08
031A	IFA-81002A-K	VALVE POS.SENSOR KIT
032	IFA-80901	VALVE COVER'08 REEDSTER
033	IFA-80802	COMPRESSION PISTON SPRING
034	IFA-80601-C	'08 EXHAUST VALVE PISTONw/magn
035	IFA-80702	AN. SPRING F1/2/4 REED/XTR'09
036	IFA-80501	DIAPHRAGM REEDSTER
037	IFA-80401	VALVE BODY'08 REEDSTER
038	IFA-81100	VALVE WASHER KF1/F2
039	IFA-80300	VALVE OR F1/2/4 REED/XTR
040	IFA-80200	VALVE SPACER KF1-2-4
041	IFA-80101-C	SLIDE AND STUDBOLT'08 REEDSTER
042	00302-K	20 Cu WASHERS KIT
043	00042-K	20 VALVE FIXING SCREWS KIT
044A	IFA-08001	COMPLETE EXHAUST VALVE'08

# PISTON

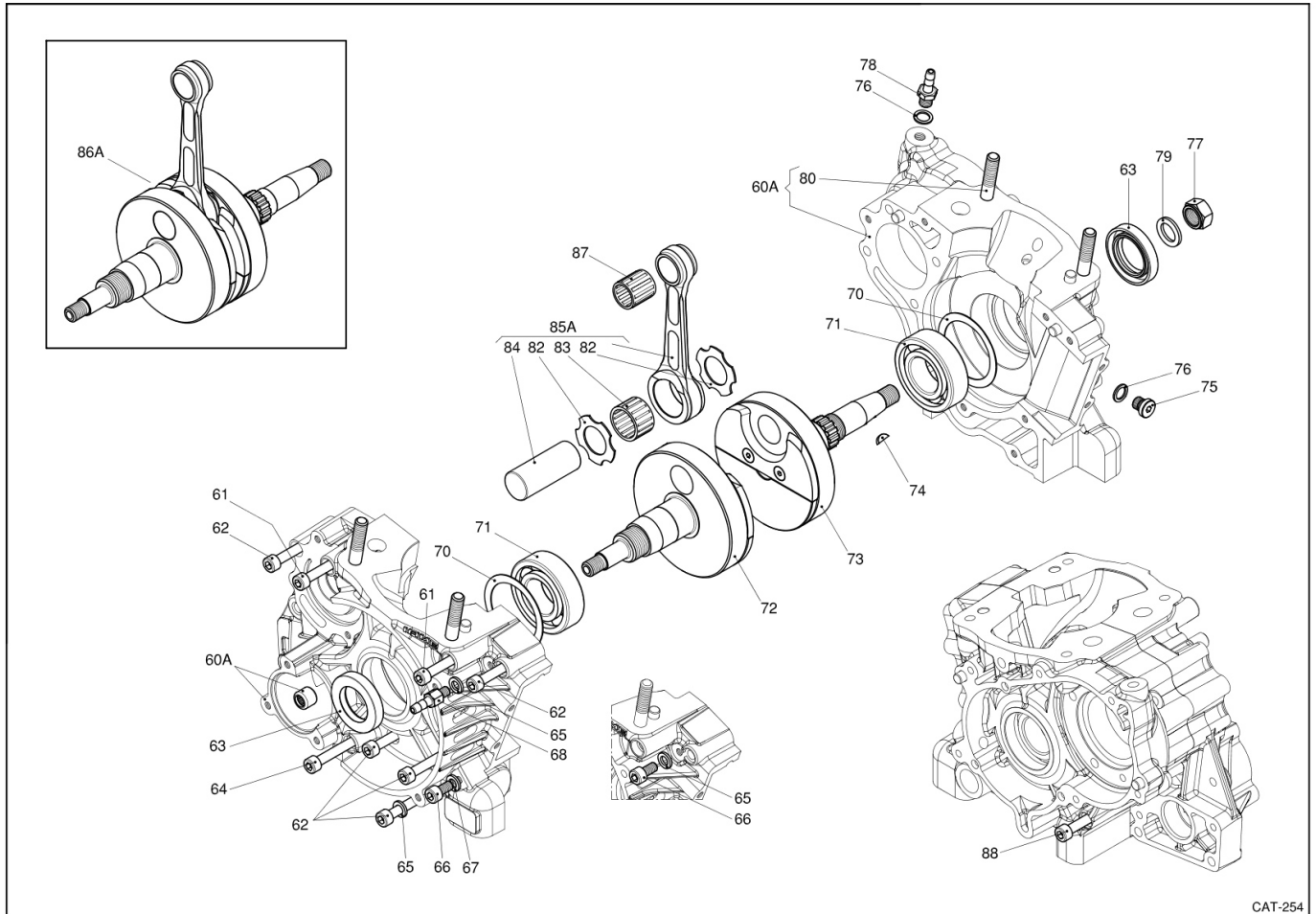


CAT-259

## RICAMBI / SPARES

POS	COD	DESCR
050	IFA-20950	PISTON PIN REEDSTER
051	IFA-21050	REEDSTER CIRCLIP
052A	IFA-20651-53.77CR	PISTON, REEDSTER 53.77r
052A	IFA-20651-53.77CV	PISTON, REEDSTER 53.77gr
052A	IFA-20651-53.79CR	PISTON, REEDSTER 53.79r
052A	IFA-20651-53.79CV	PISTON, REEDSTER 53.79gr
052A	IFA-20651-53.81CR	PISTON, REEDSTER 53.81r
052A	IFA-20651-53.81CV	PISTON, REEDSTER 53.81gr
052A	IFA-20651-53.83CR	PISTON, REEDSTER 53.83r
052A	IFA-20651-53.83CV	PISTON, REEDSTER 53.83gr
052A	IFA-20651-53.85CR	PISTON, REEDSTER 53.85r
052A	IFA-20651-53.85CV	PISTON, REEDSTER 53.85gr
052A	IFA-20651-53.87CR	PISTON, REEDSTER 53.87r
052A	IFA-20651-53.87CV	PISTON, REEDSTER 53.87gr
052A	IFA-20651-53.89CR	PISTON, REEDSTER 53.89r
052A	IFA-20651-53.89CV	PISTON, REEDSTER 53.89gr
052A	IFA-20651-53.91CR	PISTON, REEDSTER 53.91r
052A	IFA-20651-53.91CV	PISTON, REEDSTER 53.91gr

# CRANKCASE & CRANKSHAFT

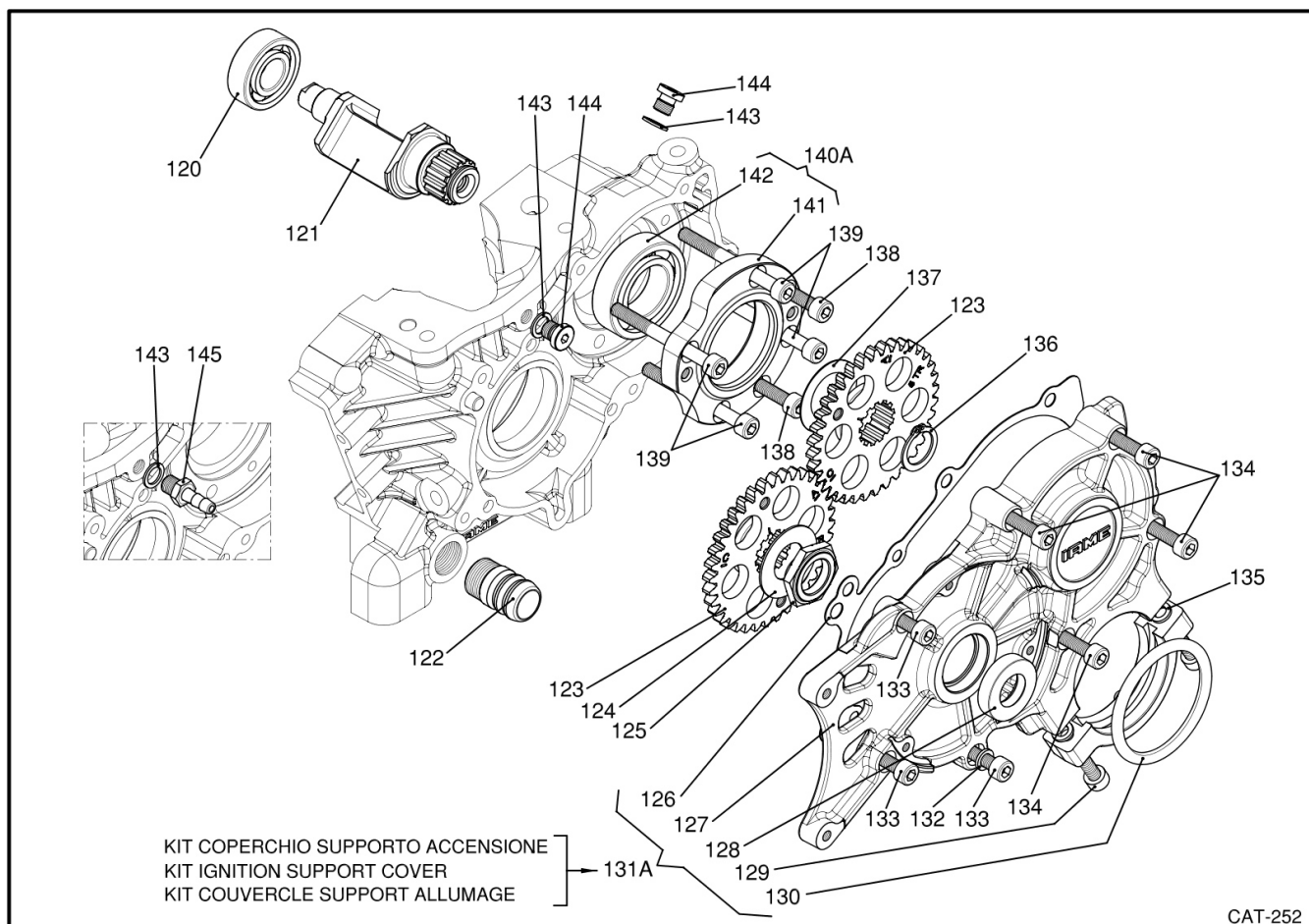


CAT-254

## RICAMBI / SPARES

POS	COD	DESCR
060A	IFB-01050-C	CRANKCASE W/ROLLER REEDSTER
061	00054-K	20 CRANKCASE SCREWS KIT
062	00049-K	KIT OF 20 ALLEN SCREWS 6x45
063	X30125425A	OIL SEAL MAGN./DRIVE SIDE
064	00053-K	20 CRANKCASE SCREWS KIT
065	00345-K	KIT 20 M6 Cu WASHERS
066	00059-K	20 FIXING CABLE SCREWS KIT
067	00302-K	20 Cu WASHERS KIT
068	IFG-50000	M6 PRESSURE FITTING
070	30404	STEEL SHIM 0.15
070	30407	STEEL SHIM 0.10
071	35396-A	BALL BEARING 6205 C4 NSK
072	IFC-20100	DR. S.HALF CRANKSH.REEDST'07
072	IFC-20150	DRIVE S.H.CRANKSHAFT REEDST'08
073	IFC-30100	HALF CRANKSH.MAGNETO SIDE'07
073	IFC-30150	MAGN.S.H.CRANKSHAFT REEDST '08
074	11715	SHAFT END/SPROCKET/MAGNETO KEY
075	X30125490	PRESSURE PLUG
076	B-71805	PRESSURE Cu FITT. GASKET
077	10535	SPROCKET AND MAGNETO NUT
078	D-95800	PRESSURE FITTING
080	IFA-20200	FIXING HEAD STUDBOLT REED/XTR
082	X30125436	SILVER BRONZE WASHER
083	X30125431	BIG END CAGE
084	X30125450	CRANKPIN 20x48.8
085A	IFC-50150-C	CONROD mm 104-pin 48.8 '07
085A	IFC-50151-C	CONROD mm 104-pin 48.8 '08
086A	IFC-00151	CRANKSHAFT REEDSTER '08
087	IFC-50350	SMALL END CAGE REEDSTER

# BALANCING SHAFT

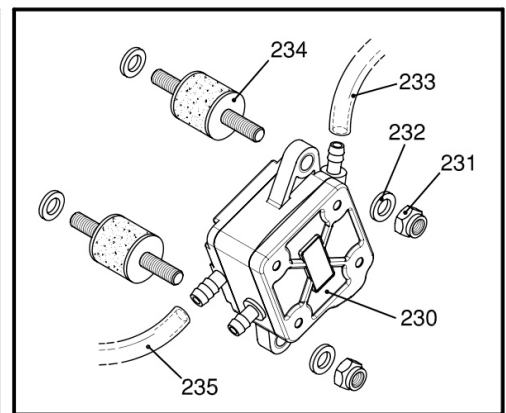
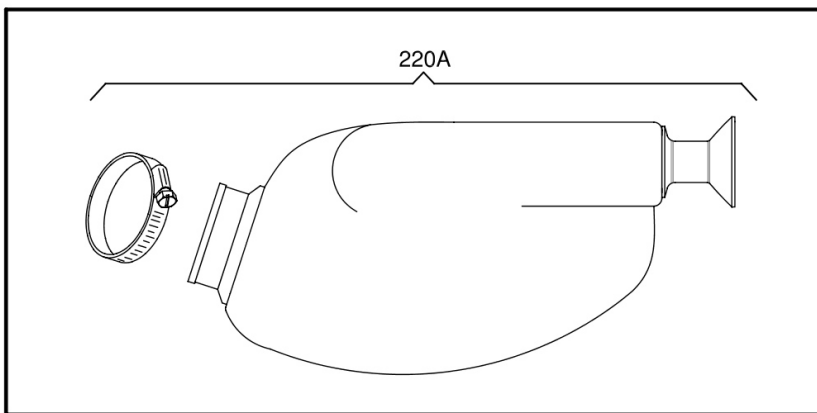
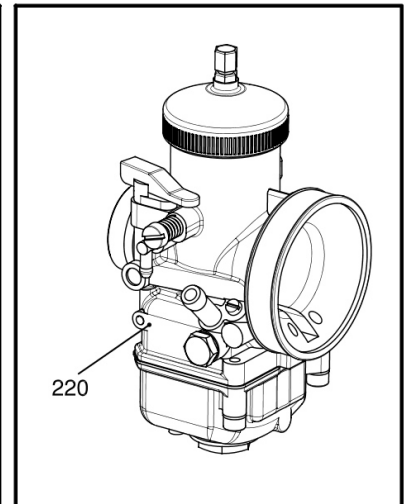
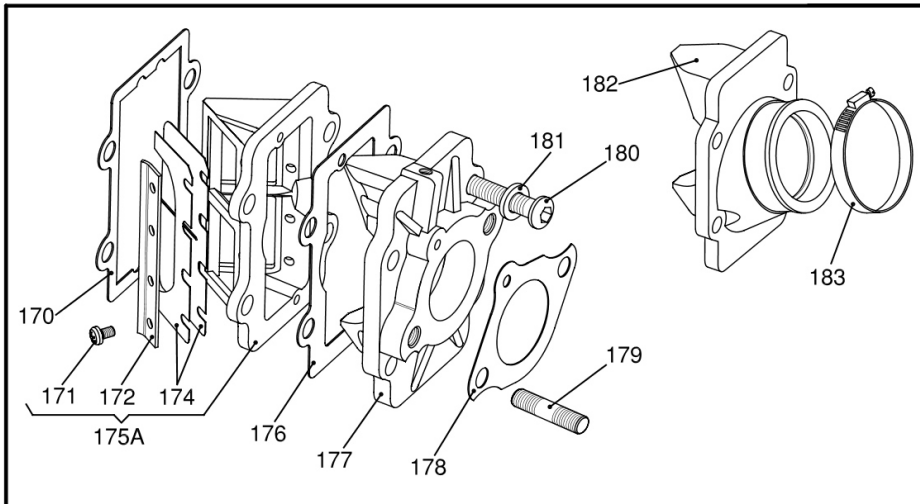


CAT-252

## RICAMBI / SPARES

POS	COD	DESCR
120	X30125745A	6202 BALL BEARING
121	IFC-80000	BALANCING SHAFT
122	IFA-40500	WATER PIPE FITT. KF1-2-3
123	IFC-80101	BALANCING SHAFT GEAR '08
124	IFC-80300	WASHER CONED SAFETY KF1-2-3
125	IFC-80200	LOCKING NUT KF1-2-3
126	IFB-41400A	COVER GASKET KF1-2-3
127	IFB-40400A	IGNITION SUP. COVER
128	IFB-40800	OIL SEAL KF1-2-3
129	00045-K	20 SCREWS M6X25 KIT
130	X30125853	DAMPENER OR
131A	IFB-40400A-C	KIT IGNITION SUP. COVER
132	00345-K	KIT 20 M6 Cu WASHERS
133	00044-K	KIT OF 20 ALLEN SCREWS 6x20
134	00046-K	KIT 20 SCREWS COVER 6x30
135	00302-K	20 Cu WASHERS KIT
136	X30125758	SEEGER SHAFT GEAR
137	IFC-80400	WASHER CONED SAFETY REEDSTER
138	00044-K	KIT OF 20 ALLEN SCREWS 6x20
139	00052-K	KIT OF 20 ALLEN SCREWS 6x60
140A	IFC-80500-C	BEARING SUPPORT KIT
141	IFC-80500	KF1-2 BEARING SUPPORT
142	X30125746A	6005 BALL BEARING
143	B-71805	PRESSURE Cu FITT. GASKET
144	X30125490	PRESSURE PLUG

# INLET

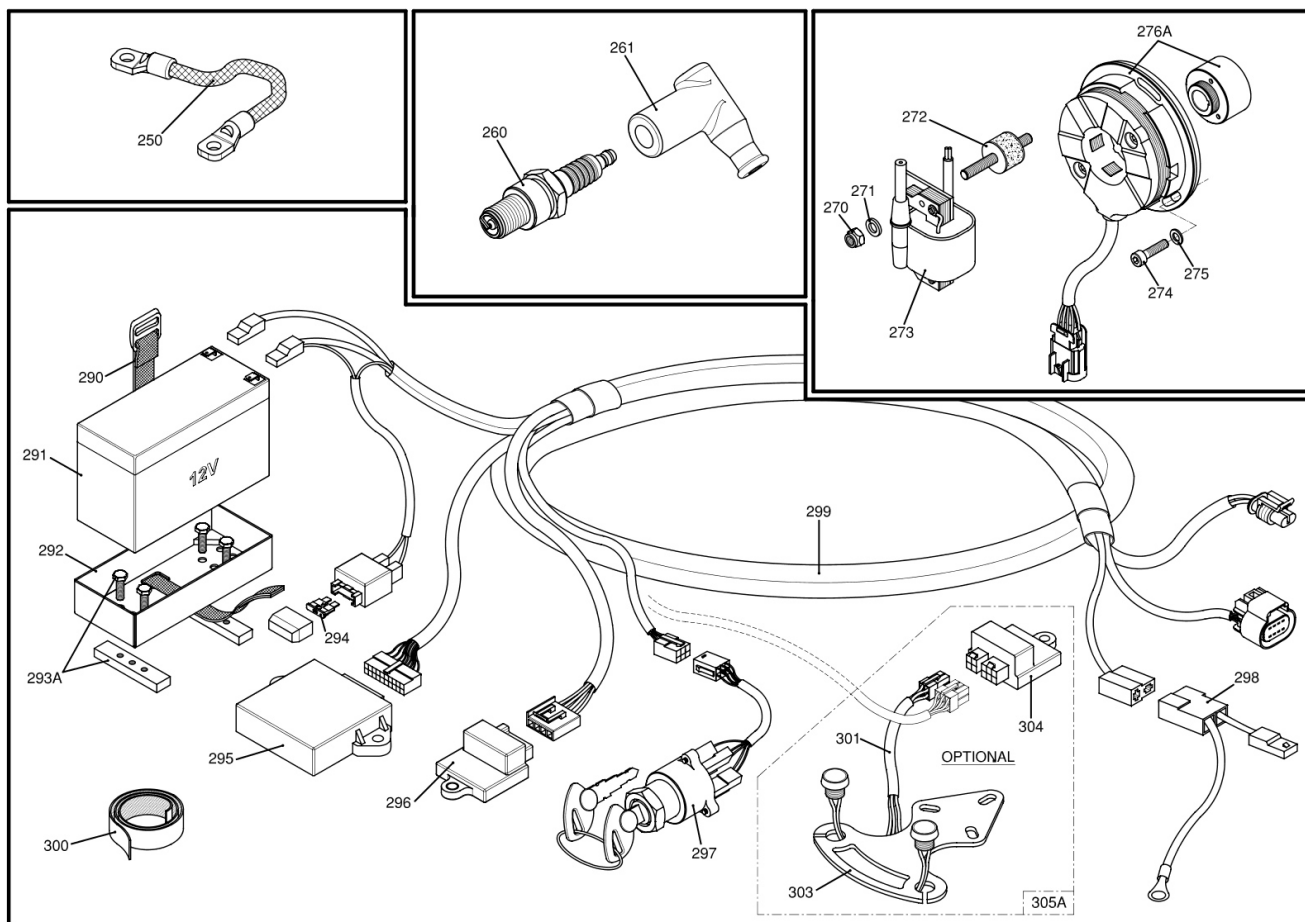


CAT-255

## RICAMBI / SPARES

POS	COD	DESCR
170	IFB-40850	CRANKCASE/MANIFOLD GASKET
171	10380	REEDSTER SCREW
172	IFG-20250	REEDSTER REEDS CLIP
174	IFG-20350-C	KIT 2 REEDS PETAL REEDST.0.26
175A	IFG-02050	REED GROUP REEDSTER
176	IFB-41150	REEDSTER CONVEYOR GASKET
177	IFB-41053	CONVEYOR REEDSTER KF1
178	IFG-42151	CARBURETOR GASKET REEDSTER KF1
179	F-40525	FIX CARB.STUDBOLT 6x30
180	00045-K	20 SCREWS M6X25 KIT
181	00302-K	20 Cu WASHERS KIT
220A	IFG-03000	INTAKE SILENCER KF1-2-3
235	IFG-31200	PRESSURE FITTING TUBE

# ELECTRONIC IGNITION



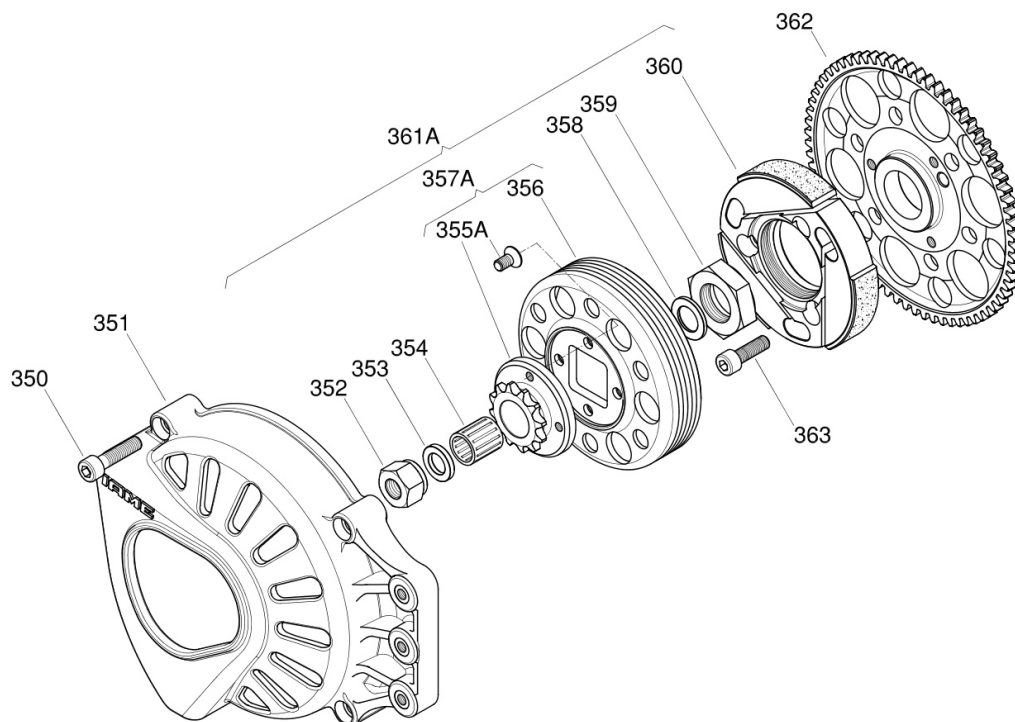
CAT-289

## RICAMBI / SPARES

POS	COD	DESCR
250	B-35805-A	COIL GROUND CABLE
260	10561	SPARK PLUG NGK BR9EG
260	10561-A	SPARK PLUG NGK BR10EG
261	10544	PVL SPARK CAP
270	00378-K	20 SELF LOCKING NUTS KIT M6
271	00302-K	20 Cu WASHERS KIT
272	B-35810	COIL DAMPENER PVL
273	IFE-03001A	COIL PVL '08 KF1-2-3
274	00031-K	KIT OF 20 ALLEN SCREWS 5x16
275	IFE-20900	LOCK WASHER - STATOR
276A	IFE-02001A	PVL IGNITION '08 KF1-2-3
290	A-60904A	FIXING STRIP FOR BATTERY
291	X30125900	SPARE PART FIAMM
292	X30125905	BATTERY SUPPORT
293A	X30125906-C	BATTERY SUPP.CLAMP W/SCREWS
294	X30125942	FUSIBLE 5A X30
295	IFE-05101-R	MINI POWER UNIT PVL KF1
296	IFE-05201A	RELAY PVL ' 08 KF1-2-3
297	IFE-05301	STARTER KEY ASSEMBLY PVL
298	IFE-05401	START.CABLE PVL'08 KF1-2-3
299	IFE-05001A	KIT CABLES W/CONNECT. PVL'08
300	X30125925	VELCRO FIXING STRAP
301	IFE-05302	WIRING START/STOP BUTTONS
303	A-61920	PSH BUTTONS FLASK
304	IFE-53002	CONTROL UNIT
305A	IFE-54000	PUSH BUTTON STARTING KIT



# CLUTCH GROUP



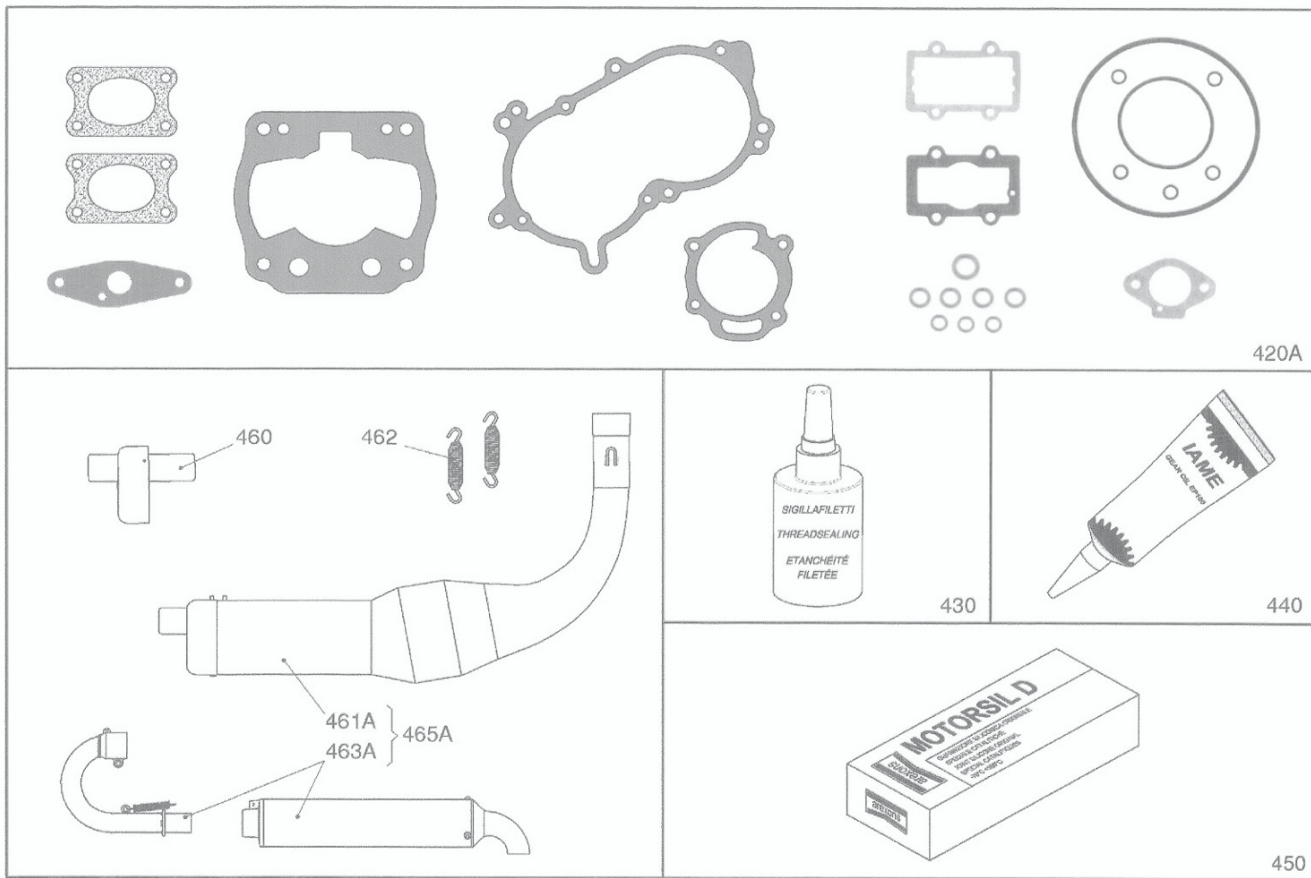
CAT-249/A

## RICAMBI / SPARES

POS	COD	DESCR
350	00045-K	20 SCREWS M6X25 KIT
351	IFF-23001	CLUTCH GUARD REEDSTER'08
352	D-75570	STARTER NUT TaG
353	D-75573	EXTERNAL WASHER
354	D-75598	CLUTCH ROLLER CAGE TaG
356	IFF-21000	REEDSTER DRUM
356	IFF-21001	REEDSTER DRUM '09
357A	IFF-210011-C	DRUM '09 W/SPROCKET z11
357A	IFF-210012-C	DRUM '09 W/SPROCKET z12
357A	IFF-210013-C	'09 DRUM W/SPROCKET z13
357A	IFF-21001-C	DRUM W/SPROCKET z11
357A	IFF-21002-C	DRUM W/SPROCKET z12
357A	IFF-21003-C	DRUM W/SPROCKETS z13
358	D-75565	THRUST INT.WASHER H=1,8mm
359	IFF-21300	'09 RING LOCKING NUT
359	X30125560	RING LOCKING NUT
360	IFF-20000	PADDED HUB KF1-2-3
360	IFF-20001	PADDED HUB '09 KF1-2-3
361A	IFF-020001-C	KF1-2-3 CLUTCH GROUPE z11
361A	IFF-020002-C	KF1-2-3 CLUTCH GROUPE z12
361A	IFF-020003-C	KF1-2-3 CLUTCH GROUP z13
361A	IFF-020011-C	KF1-2-3 CLUTCH GROUPE '09 z11
361A	IFF-020012-C	KF1-2-3 CLUTCH GROUPE '09 z12
361A	IFF-020013-C	KF1-2-3 CLUTCH GROUP '09 z13
362	IFI-30000	STARTER DRIV.WHEEL REEDS
362	IFI-30002	STARTER DRIV.WHEEL REEDS'09
363	00040-K	KIT OF 20 SCREWS M6 X 14
363	00161-K	KIT OF 20 HEX. SCREWS 6x12

# EXHAUST GROUP & GASKETS SET

SISTEMA SCARICO E SERIE GUARNIZIONI / EXHAUST SYSTEM & GASKETS SET  
 SYSTEME ECHAPPEMENT ET SERIE JOINTS.



420A

430

440

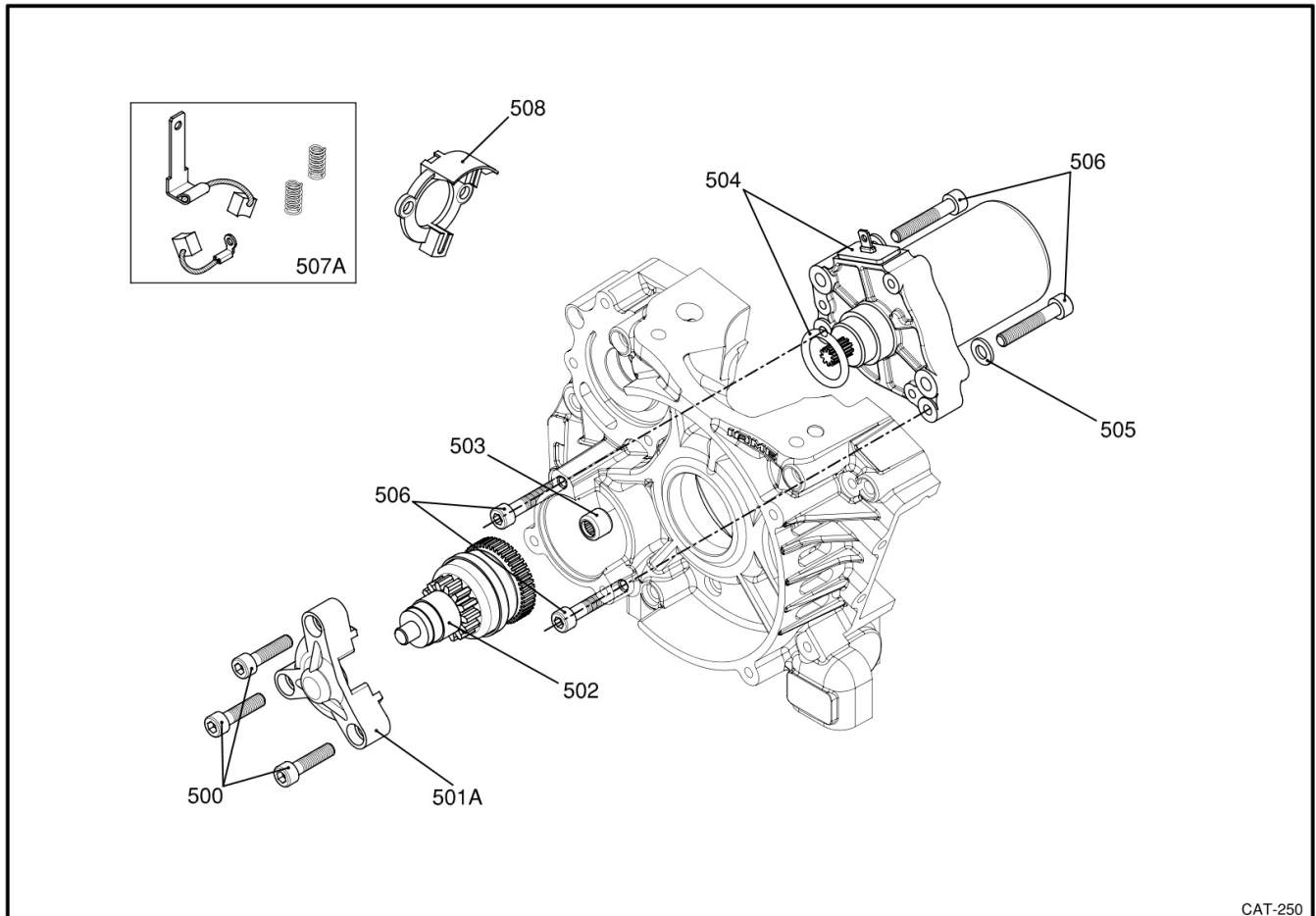
450

CAT-247

## RICAMBI / SPARES

POS	COD	DESCR
420A	IFZ-125990	F1/2 REEDSTER GASKETS KIT
430	00600	WATER PIPE FITTING SEAL
440	00605	KLUBER EP100
450	00602	LIQUID GASKET AREXON
460	10721-A	SILENCER END
461A	IFH-04000	EXHAUST SILENCER KF2
462	IFH-55100	FLEXIBLE SPRING KF1-2

# ELECTRIC STARTER GROUP

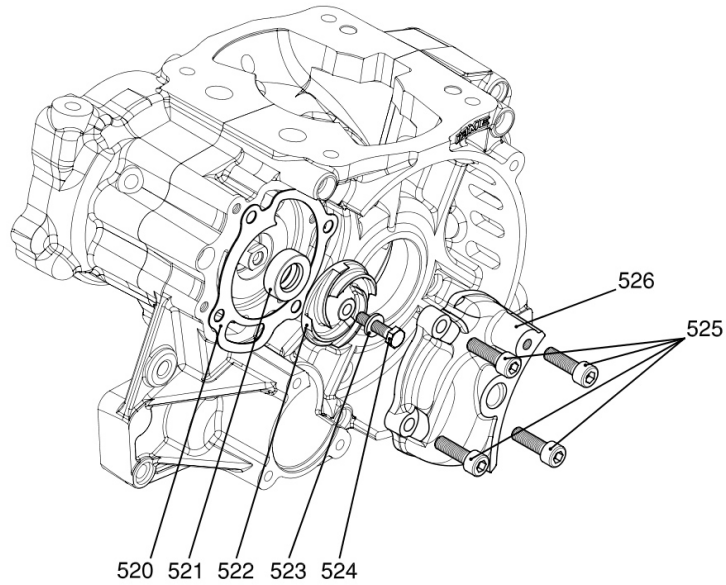


CAT-250

## RICAMBI / SPARES

POS	COD	DESCR
500	00045-K	20 SCREWS M6X25 KIT
501	IFE-60100-K	KF1-2-3 COUNTERSHAFT SUPP.
502	A-120855	COUNTERSHAFT TaG
503	A-60865	ROLLER CAGE TaG
504	A-120850	STARTER TaG
505	00302-K	20 Cu WASHERS KIT
506	00047-K	KIT OF 20 ALLEN SCREWS 6x35
507A	A-60852A-C	KIT OF 20 BRUSHES FOR STARTER
508	A-120852	BRUSHES SUPPORT

# PUMP GR.

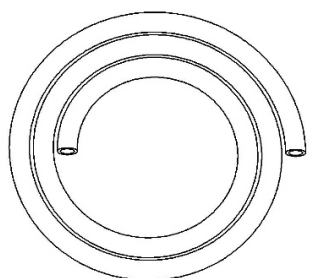


CAT-251

## RICAMBI / SPARES

POS	COD	DESCR
520	IFB-45100A	COVER GASKET PUMP
521	IFB-44800	OIL SEAL KF1-2-3
522	IFB-44901	WATER PUMP IMPELLER n.t.
523	00301-K	KIT 20 WASHERS M5
524	00155-K	KIT 20 INOX SCREWS
525	00044-K	KIT OF 20 ALLEN SCREWS 6x20
526	IFB-45000	REEDSTER PUMP GUARD

# WATER COOLING SYSTEM



n° 10

Fig. 550 A

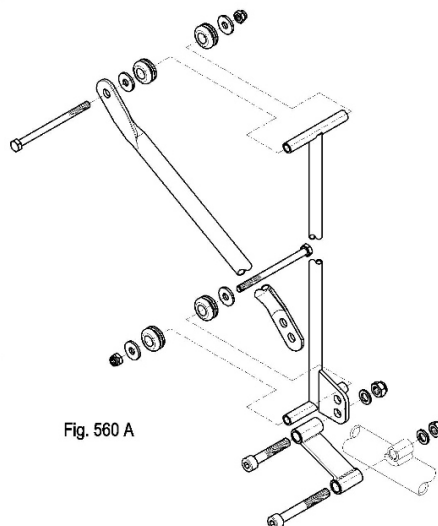


Fig. 560 A

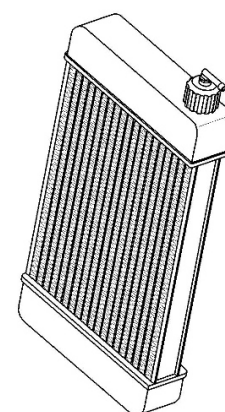


Fig. 570

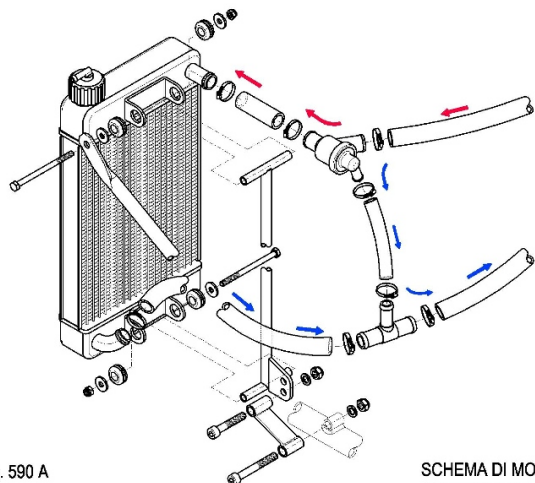


Fig. 590 A

IMPIANTO PER RAFFREDDAMENTO A LIQUIDO  
WATERCOOLED ENGINE DEVICE  
EQUIPEMENT REFROIDISSEMENT LIQUIDE

SCHEMA DI MONTAGGIO  
ASSEMBLING LAYOUT  
SCHEMA DE MONTAGE

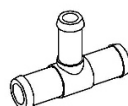


Fig. 571

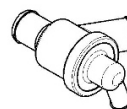


Fig. 572

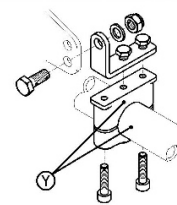


Fig. 580 A

DIAMETRI - DIAMETERS  
DIAMETRES

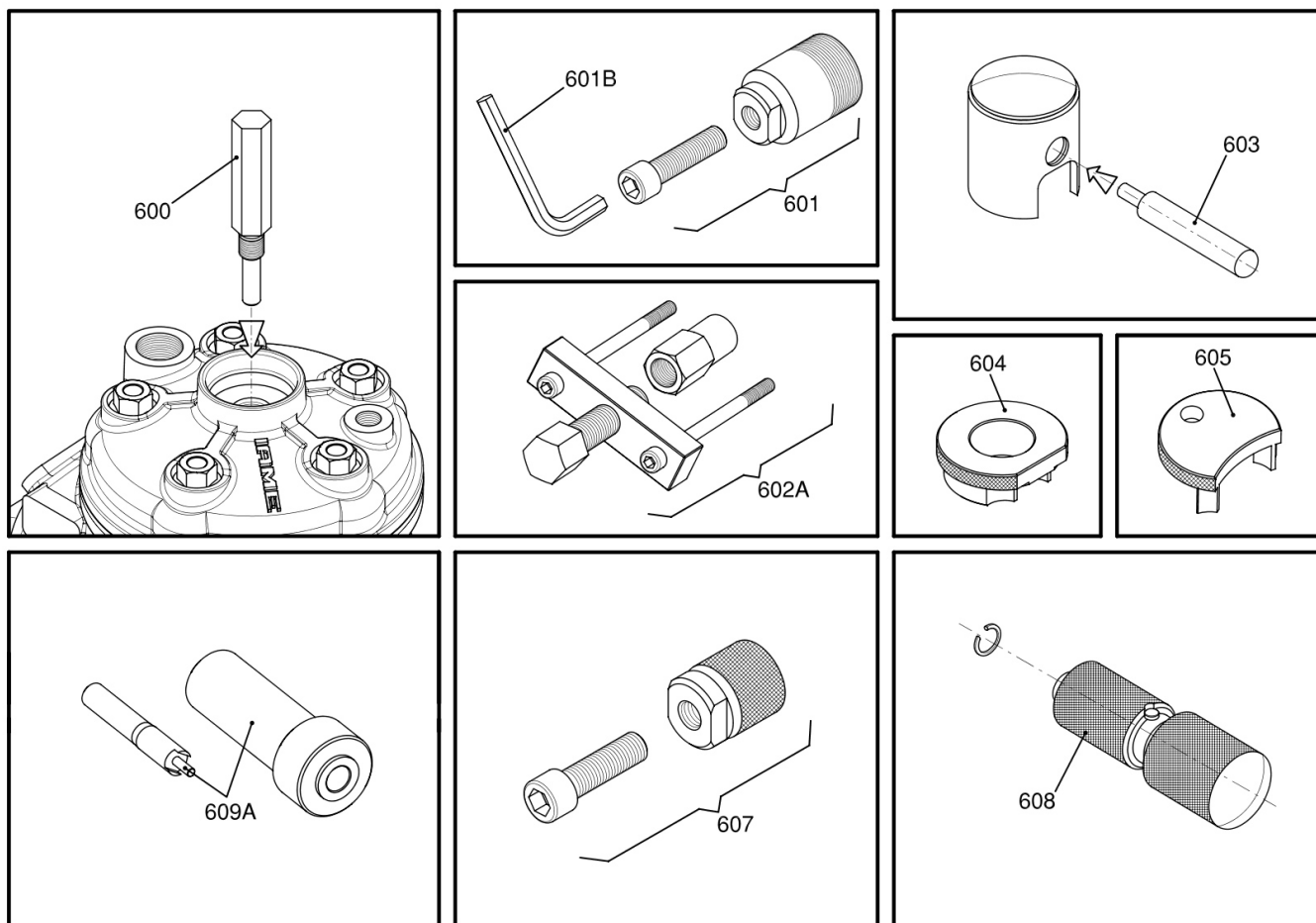
Y= 28mm : Kit n° T-8117-C  
Y= 30mm : Kit n° T-8117-C1  
Y= 32mm : Kit n° T-8117-C2

CAT-258

## RICAMBI / SPARES

POS	COD	DESCR
550A	IFI-50400-K	WATER PIPES KIT
560A	IFI-52300-K	RADIATOR SUPP.KIT KF1-2-3
560A	T-8135-C	RADIATOR LONG SUPP. KIT
570	IFI-05000	REEDSTER RADIATOR/XTR
570	T-8000B	RADIATOR L=410mm
571	IFI-51000	3 WAYS FITTING KF1-2-3
572	IFI-05900	3 WAYS THERMOSTAT KF1-2-3
580A	T-8117-C	RADIATOR CLAMP KIT mm28
580A	T-8117-C1	RADIATOR CLAMP KIT mm30
580A	T-8117-C2	RADIATOR CLAMP KIT mm32
590A	IFI-05000-K	COOLING KIT REEDSTER
590A	T-8000B-C	COOLING KIT REEDSTER

# PULLER & TOOLS

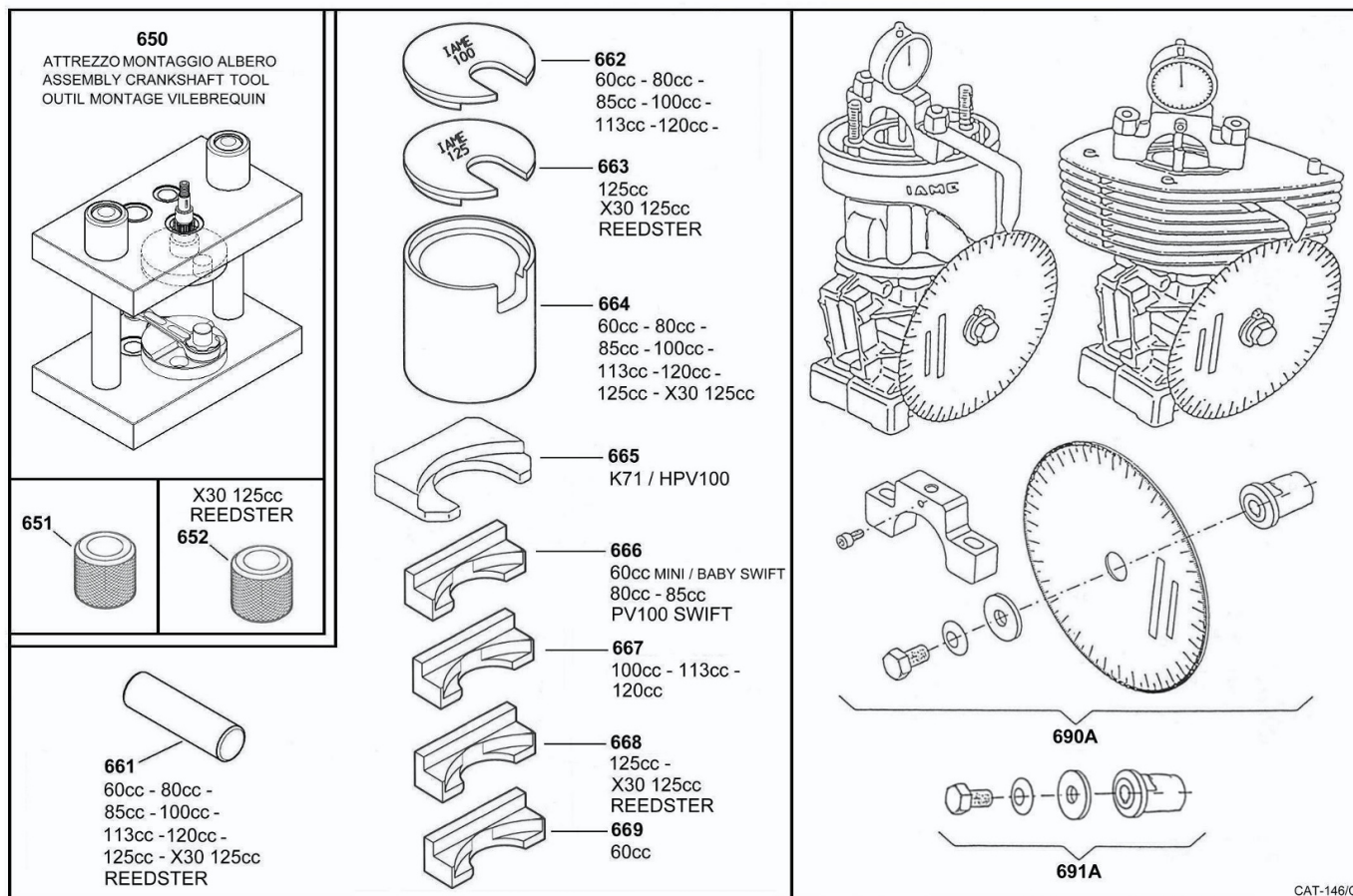


CAT-256

## RICAMBI / SPARES

POS	COD	DESCR
600	10271	PISTON STROKE LOCKER
601	10272-C	CLUTCH PULLER
601	ATT-026	CLUTCH HUB PULLER 2009
601/B	10159	CLUTCH PULLER WRENCH 12mm
602A	ATT-010	GEAR PULLER KF1-2-3
603	10200	PISTON PIN PUNCH 125cc
604	S884	STARTER DRIVE WHEEL HOLD. TOOL
605	ATT-008	GEAR LOCK TOOLS KF1-2-3
607	ATT-009	IGNITION PULLER KF1-2-3
608	ATT-006	15mm CIRCLIP ASSEM.TOOL
609A	ATT-016	WATER PUMP OIL SEAL ASSY TOOL

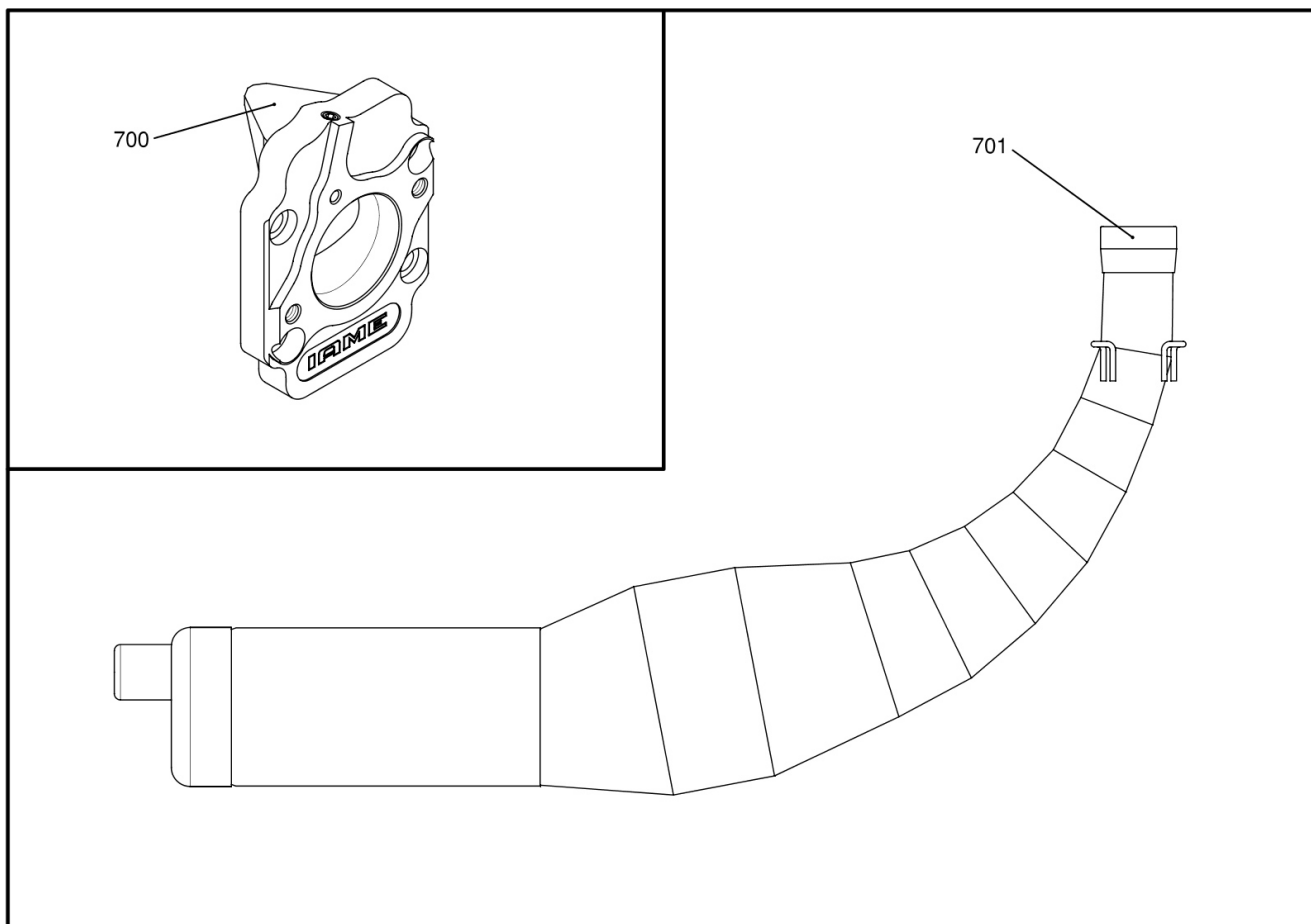
# Cranksh.Ass./Disass. Timing control group



## RICAMBI / SPARES

POS	COD	DESCR
650	10110A	ASS.CRANKSHAFT TOOL
652	10150A	CRANK-PIN BUSH mm20
661	10107	CRANK-PIN PULLER
663	10104A	CRANKSHAFT PLATE 125cc
664	10100	CRANK. DISASSEMBLING SUP.
668	10106	CRANKSHAFT INSERT 125cc
690A	10820A	TIMING GROUP TaG/REEDSTER
691A	ATT-014-C	COMPLETE TIMING GROUP ADAPTER

# OPTIONAL



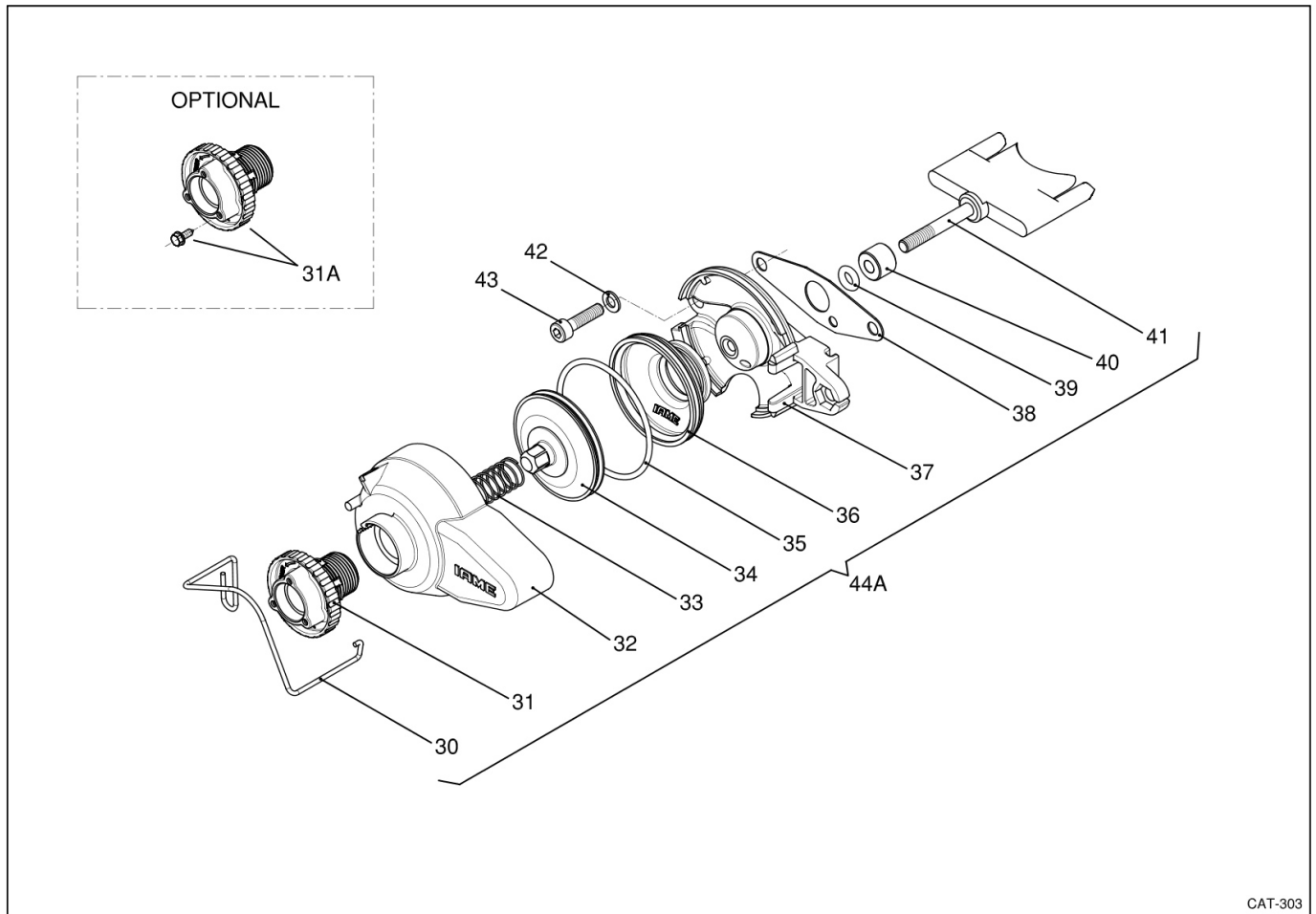
CAT-288

## RICAMBI / SPARES

POS	COD	DESCR
700	S1068	MILLED CONVEYOR KF1
701	IFH-04003-EX1	KF1 EXHAUST SILENCER - TEAM-1



# VALVE GROUP '09



CAT-303

## RICAMBI / SPARES

POS	COD	DESCR
030	IFA-81200	VALVE COVER RETAINER KF1-2-4
031	IFA-81002	VALVE ADJUSTABLE SCREW'08
031A	IFA-81002-K	VALVE POS.SENSOR KIT
032	IFA-80901	VALVE COVER'08 REEDSTER
033	IFA-80803	COMPR.PISTON SPRING '09
034	IFA-80602-C	'09 EXHAUST VALVE PISTONw/magn
035	IFA-80702	AN. SPRING F1/2/4 REED/XTR'09
036	IFA-80501	DIAPHRAGM REEDSTER
037	IFA-80401	VALVE BODY'08 REEDSTER
038	IFA-81100	VALVE WASHER KF1/F2
039	IFA-80300	VALVE OR F1/2/4 REED/XTR
040	IFA-80200	VALVE SPACER KF1-2-4
041	IFA-80102-C	SLIDE AND STUDBOLT'09
042	00302-K	20 Cu WASHERS KIT
043	00042-K	20 VALVE FIXING SCREWS KIT
044A	IFA-08003	COMPL. EXHAUST VALVE'09