

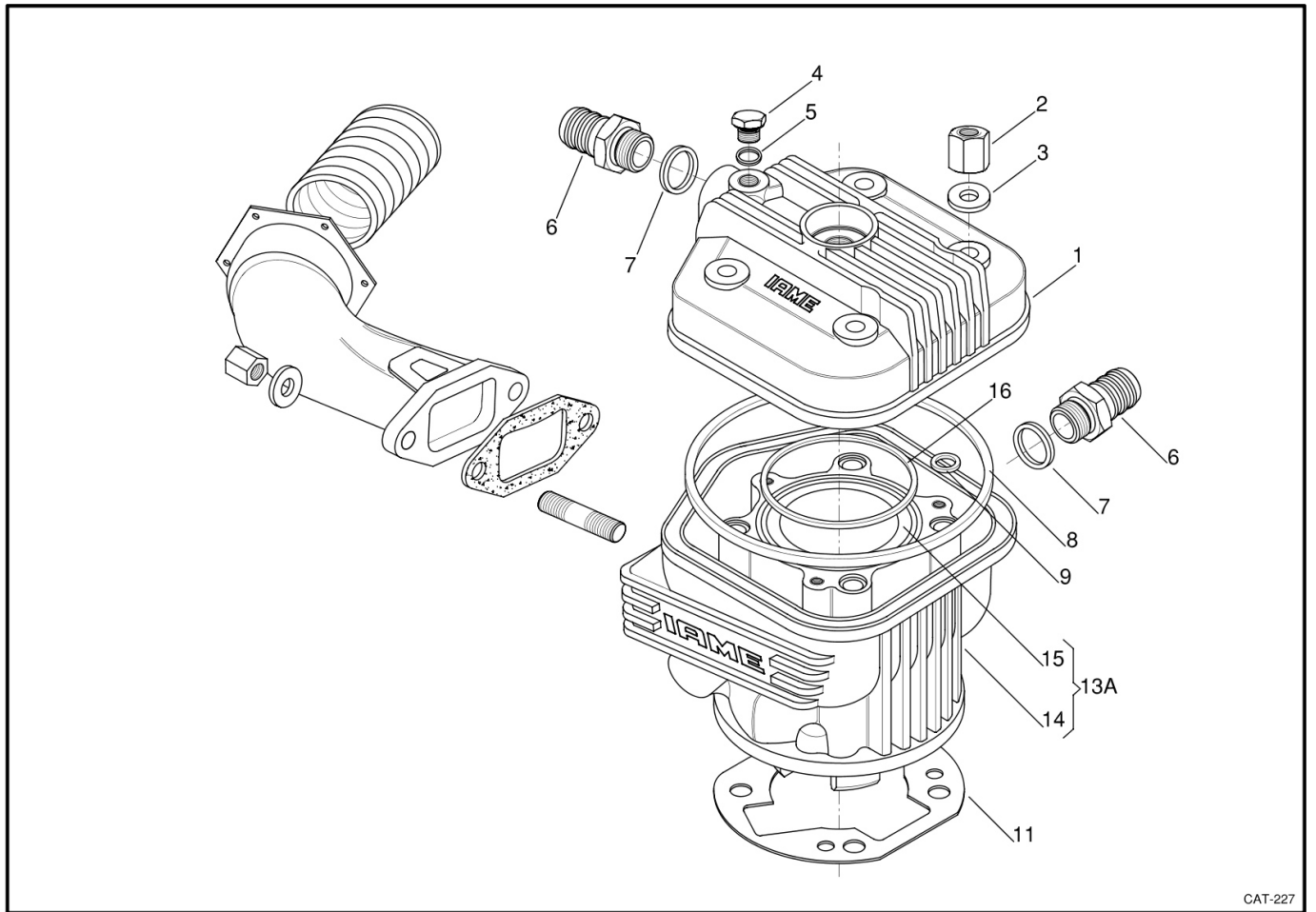
IAME

The heart of kart

PARILLA - DRAGON



HEAD AND CYLINDER

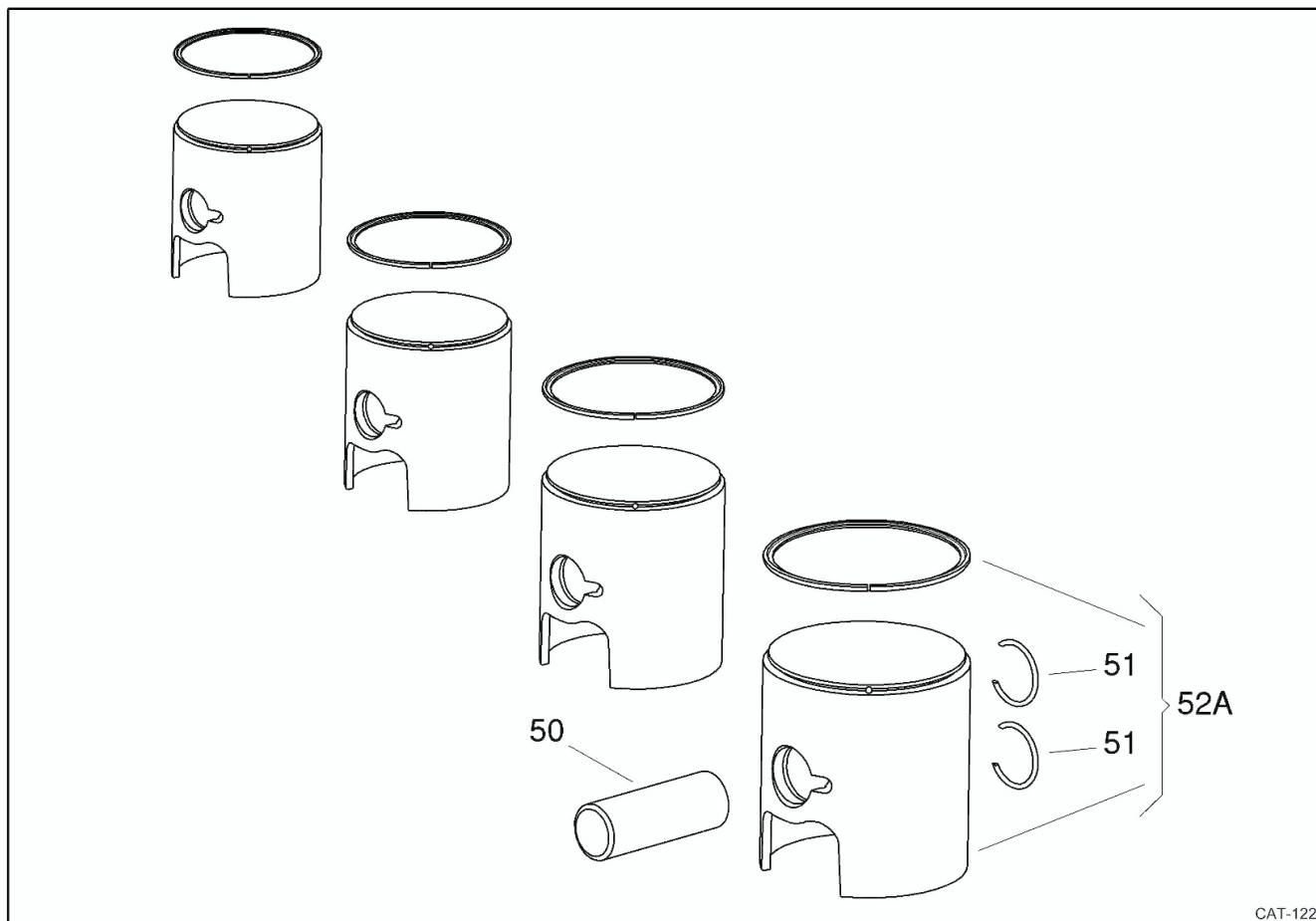


CAT-227

RICAMBI / SPARES

POS	COD	DESCR
001	IAA-40142	CYL. HEAD DRAGON 10.7cc
002	10350	HEAD NUT
003	10635	HEAD NUT WASHER H=3mm
004	B-25840	TEMP. GAUGE PLUG
005	B-25845	TEMP. GAUGE PLUG GASKET
006	B-25830A	WATER PIPE FITTING
007	B-25835	PIPE GASKET
008	F-38820	HEAD GASKET OR
009	B-25825	TIE-ROD GASKET OR
011	EBP-125045	CYL. GASKET 4/10 SUD-TOP/X30
011	EBP-125046	CYL.GASKET 2/10 SUD-TOP/X30
013A	IAA-01042	CYLINDER DRAGON-125
014	GBP-125012	CYL.BARREL SUD-125-TOP-RL
015	IAA-10242	CYL. LINER 125-DRAGON
016	D-37049	HEAD GASKET OR 3237

PISTON

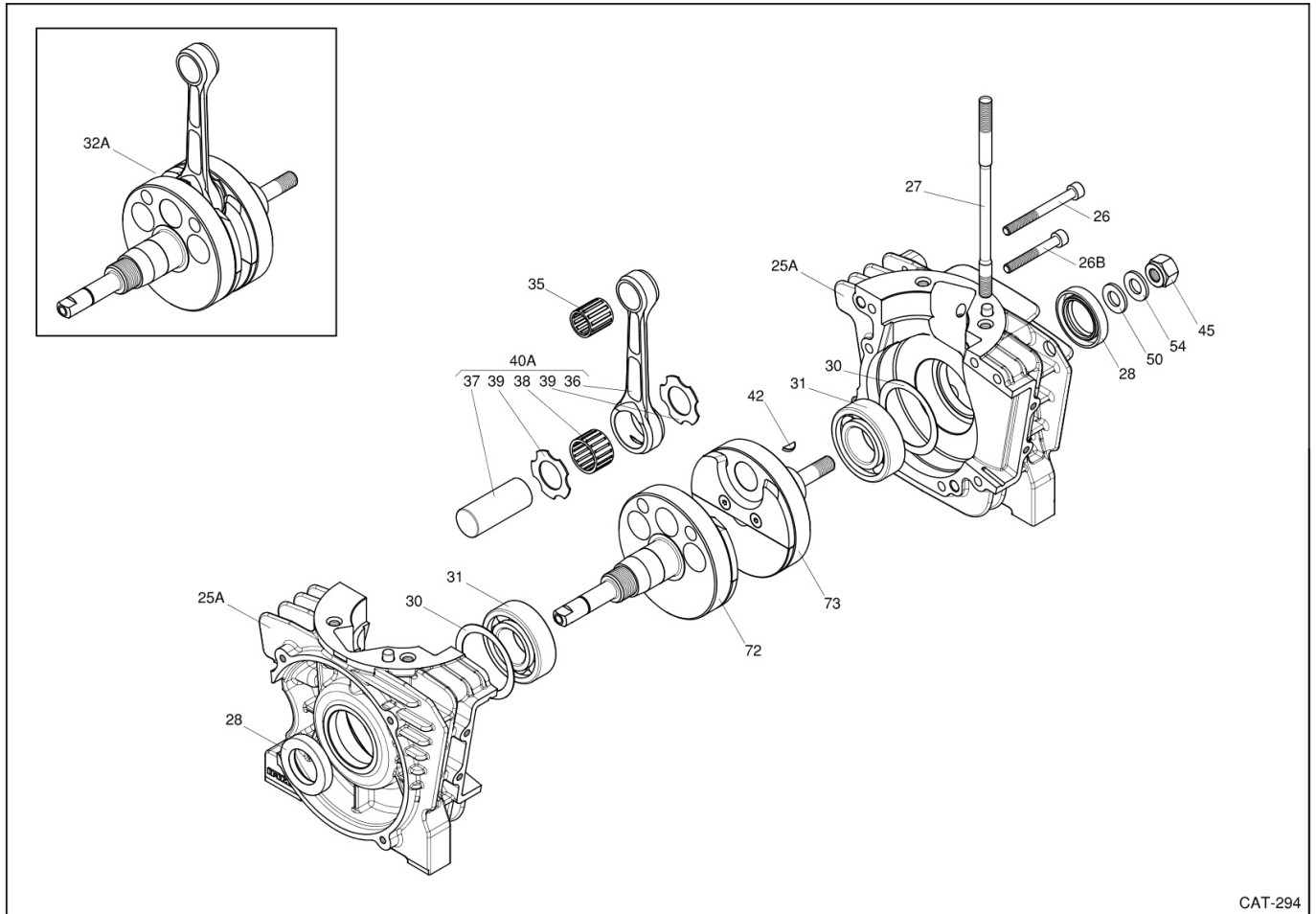


CAT-122

RICAMBI / SPARES

POS	COD	DESCR
050	IFA-20900	PISTON PIN XTR
051	10341-A	CIRCLIP W/OUT TAILS.370
052A	IFA-20600-53.89CR	PISTON, COMPL. XTR 53.89r
052A	IFA-20600-53.89CV	PISTON, COMPL. XTR 53.89g
052A	IFA-20600-53.91CR	PISTON, COMPL. XTR 53.91r
052A	IFA-20600-53.91CV	PISTON, COMPL. XTR 53.91g
052A	IFA-20600-53.93CR	PISTON, COMPL. XTR 53.93r
052A	IFA-20600-53.93CV	PISTON, COMPL. XTR 53.93v
052A	IFA-20600-53.97CR	
052A	IFA-20600-53.97CV	
052A	IFA-20600-54.01CV	
052A	IFA-20600-54.05CV	
052A	IFA-20600-54.09CV	
052A	IFA-20600-54.13CV	
052A	IFA-20600-54.17CV	

CRANKCASE & CRANKSHAFT

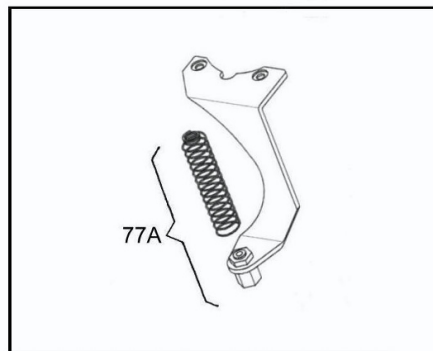
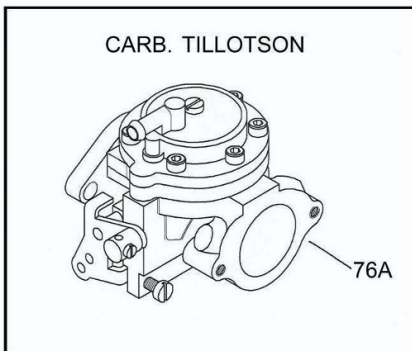
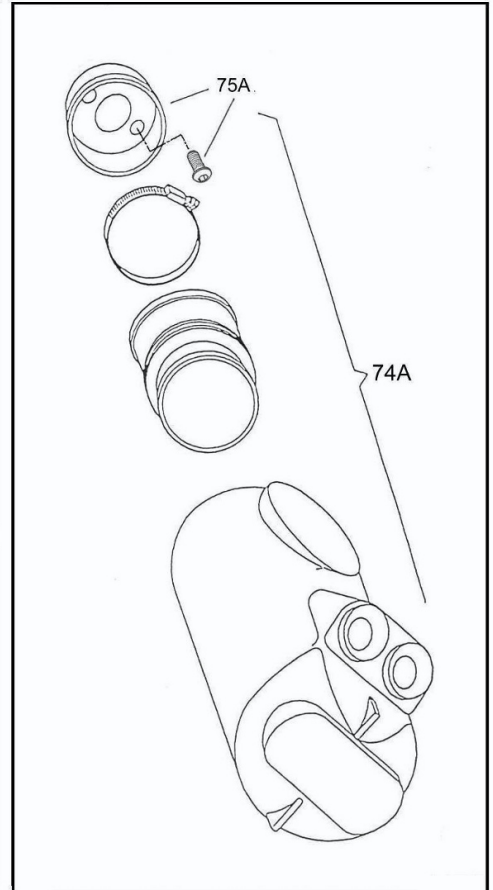
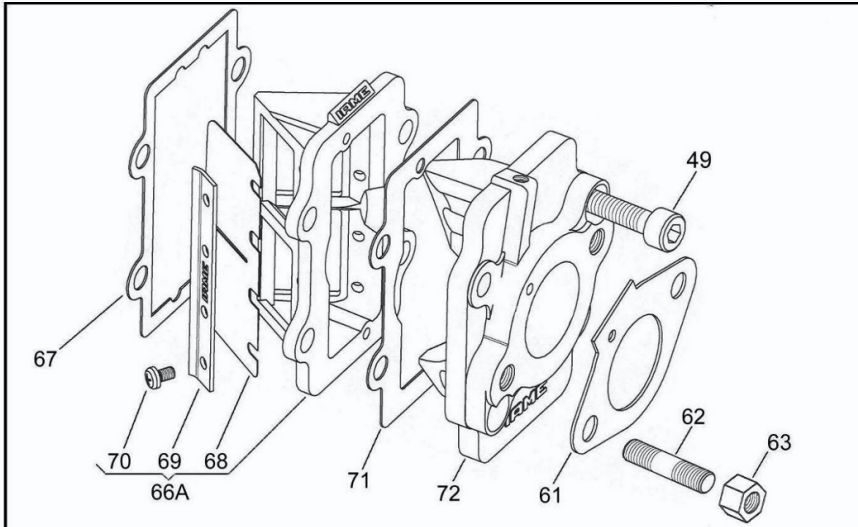


CAT-294

RICAMBI / SPARES

POS	COD	DESCR
025A	IAB-01041	CRANKCASE LEOPARD-USA MY'09
026	00051-K	KIT OF 20 ALLEN SCREWS 6x55
026B	00049-K	KIT OF 20 ALLEN SCREWS 6x45
027	B-25347	CYLINDER TIE-ROD 8x153
028	X30125425A	OIL SEAL MAGN./DRIVE SIDE
030	30404	STEEL SHIM 0.15
030	30407	STEEL SHIM 0.10
031	35396	BALL BEARING 6205-C4
032A	IAC-00142	CRANKSHAFT DRAGON MY'09
035	E-10440	SMALL END CAGE
036	IFC-50100	
037	IAC-40140	CRANKPIN DRAGON 20x47mm
038	X30125431	BIG END CAGE
039	X30125436	SILVER BRONZE WASHER
040A	IFC-50100-47	CONROD mm 102-pin 47
042	11715	SHAFT END/SPROCKET/MAGNETO KEY
045	00382	NUT M10x1
050	00305-K	KIT OF 20 WASHERS M10
054	00342-K	KIT 20 WASHERS -10,5x18x0,8
072	IAC-20141	HALFCR.DR.SIDE DRAG/LEOP MY'09
073	IAC-30141	HALFCR. IG.S. DRAG/LEOP MY '09

INLET

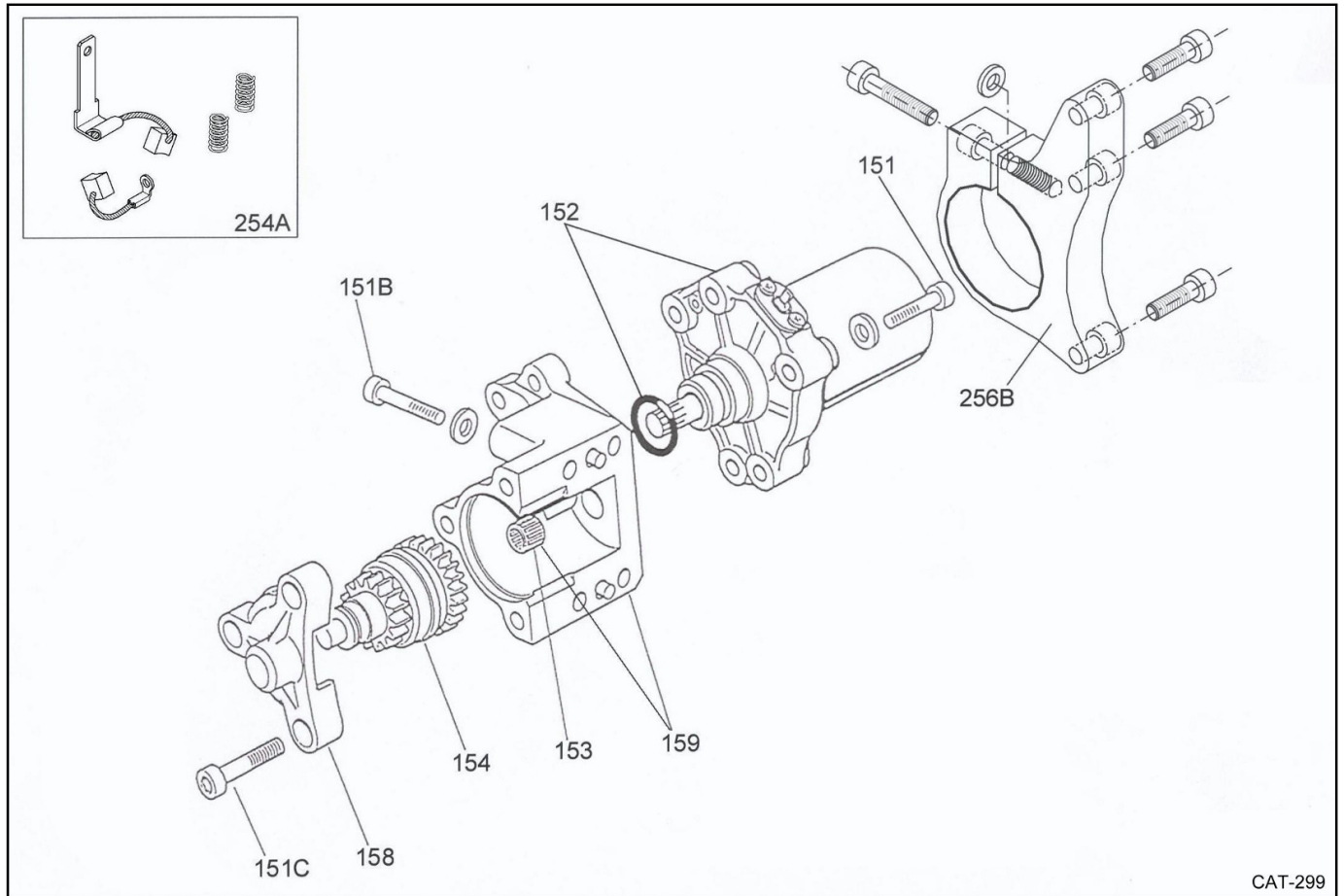


CAT-296

RICAMBI / SPARES

POS	COD	DESCR
049	00045-K	20 SCREWS M6X25 KIT
061	10360-A	CARBURETOR GASKET
062	10525	FIX.CARB.STUDBOLT 6x25
063	00351-K	20 HEXAGONAL NUTS KIT M6
066A	F-11830B-C	REEDS GROUP TOP
067	F-11810	REED GR.GASKET TOP-RL/X30
068	F-11840-C	KIT 2 TOP R.PETAL 0,24/0,25
068	F-11842-C	KIT 2 TOP R.PETAL 0.26/0.28
069	F-11845A	REED CLIPS
070	10380-K	KIT 20 HEAD.CROSS SCREW 3x5
071	F-11805	TOP CONVEYOR GASKET
072	X30125815A	CONVEYOR mm.28

ELECTRIC STARTER GROUP

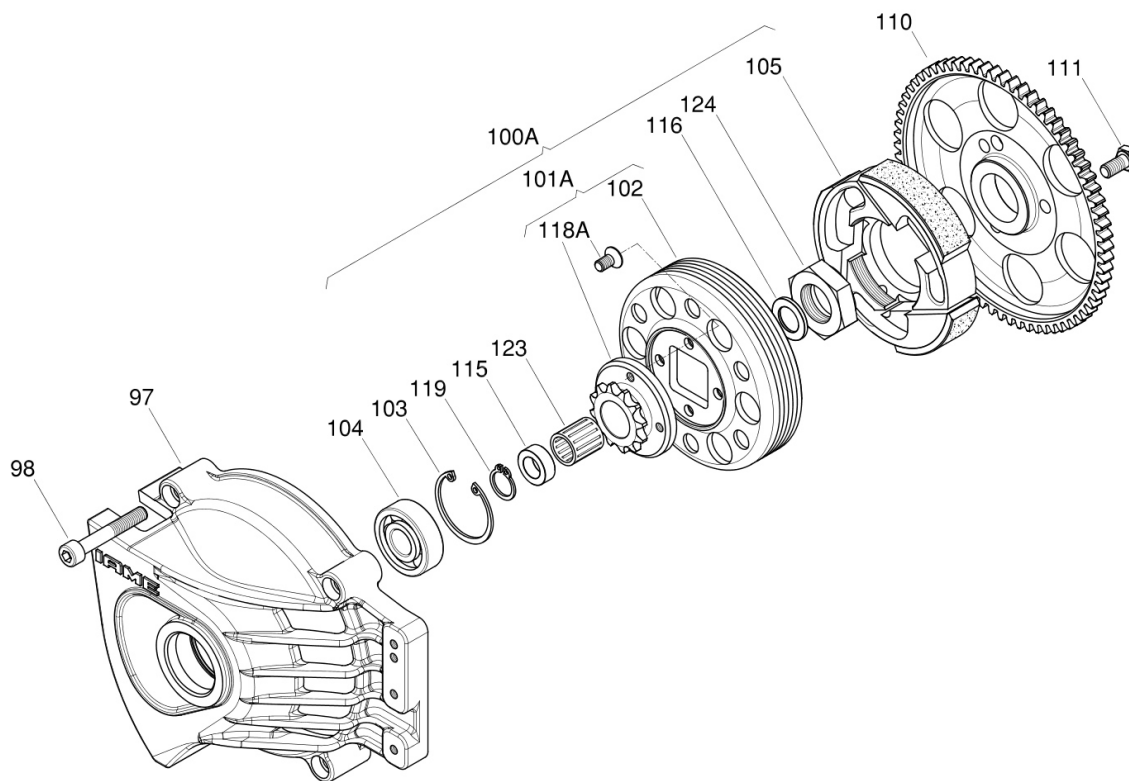


CAT-299

RICAMBI / SPARES

POS	COD	DESCR
151	00047-K	KIT OF 20 ALLEN SCREWS 6x35
151B	00049-K	KIT OF 20 ALLEN SCREWS 6x45
151C	00045-K	20 SCREWS M6X25 KIT
152	A-120850	STARTER TaG
153	A-60865	ROLLER CAGE TaG
154	A-120855	COUNTERSHAFT TaG
158	A-60870	COUNTERSHAFT SUPPORT, TaG
159	A-120860A-C	STARTER SUPPORT TaG W/ ROLLER
254A	A-60852A-C	KIT OF BRUSHES FOR STARTER
256B	A-125863-C	STARTER SUPPL. SUPPORT

CLUTCH GROUP

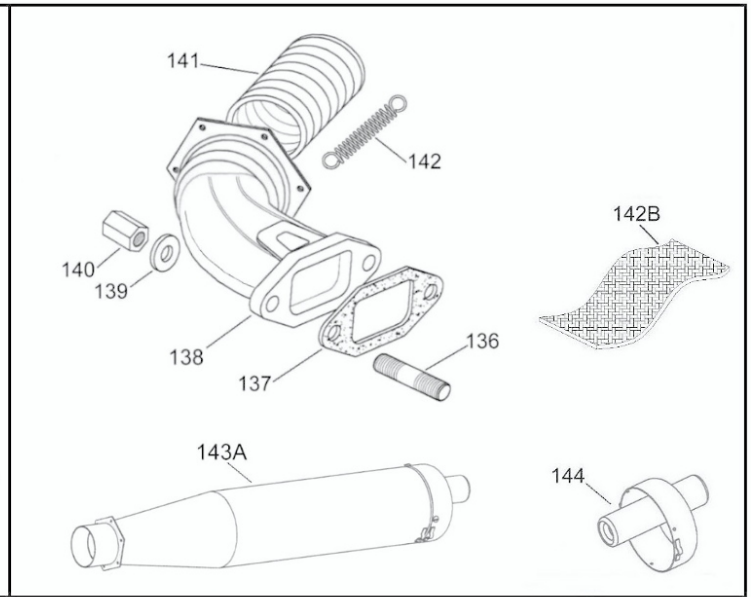
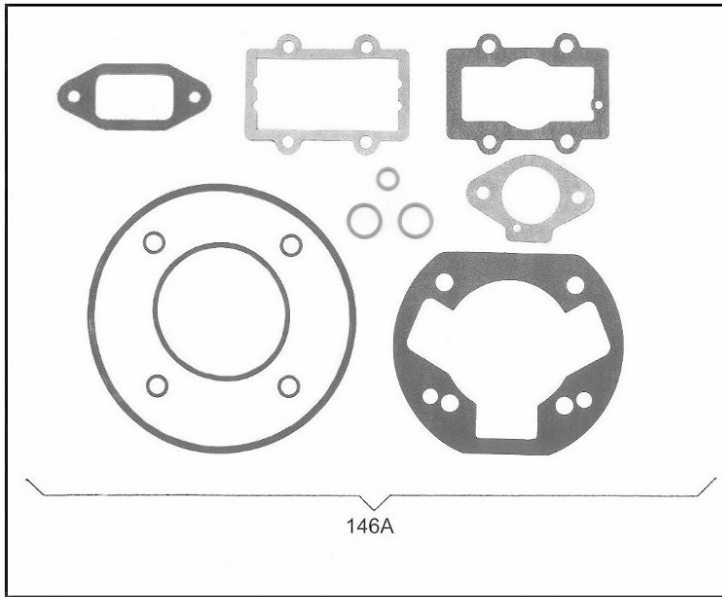


CAT-297

RICAMBI / SPARES

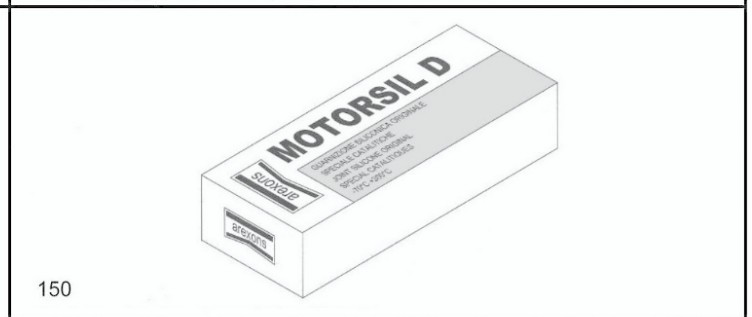
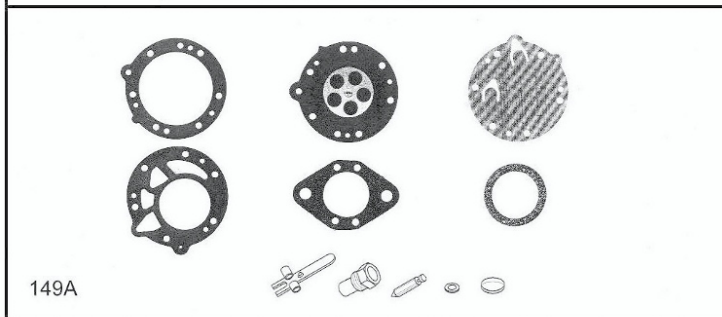
POS	COD	DESCR
097	IAF-23041	CLUTCH COVER DRAG/LEOP MY'09
098	00048-K	KIT OF 20 ALLEN SCREWS 6x40
100A	IFF-020001-C	KF1-2-3 CLUTCH GROUPE z11
102	IFF-21000	REEDSTER DRUM
103	IAU-00011	BALL BEARING SEEGER 32 x 1.2
104	IAB-20641	BALL BEARING 6201-2RSR-C4 SKF
105	IFF-20000	PADDED HUB KF1-2-3
110	IAI-30041	STARTER GEAR DRAG/LEOP MY'09
111	00161-K	KIT OF 20 HEX. SCREWS 6x12
115	G-100573	EXTERNAL WASHER PV100-MAXI/
116	D-75565	THRUST INT.WASHER H=1,8mm
118A	X30125554-C	SPROCKET z10 W/SCREWS
118A	X30125555-C	SPROCKET z11 W/SCREWS
118A	X30125556-C	SPROCKET z12 W/SCREWS REEDST.
118A	X30125557-C	SPROCKET z13 W/SCREWS
119	G-100571	SEEGER RING 12x1
123	D-75598	CLUTCH ROLLER CAGE TaG
124	X30125560	RING LOCKING NUT

EXHAUST GROUP & GASKETS SET



KIT CARB. TILLOTSON HL - TILLOTSON HL CARB KIT

GUARNIZIONE LIQUIDA - LIQUID SEAL - JOINT LIQUIDE

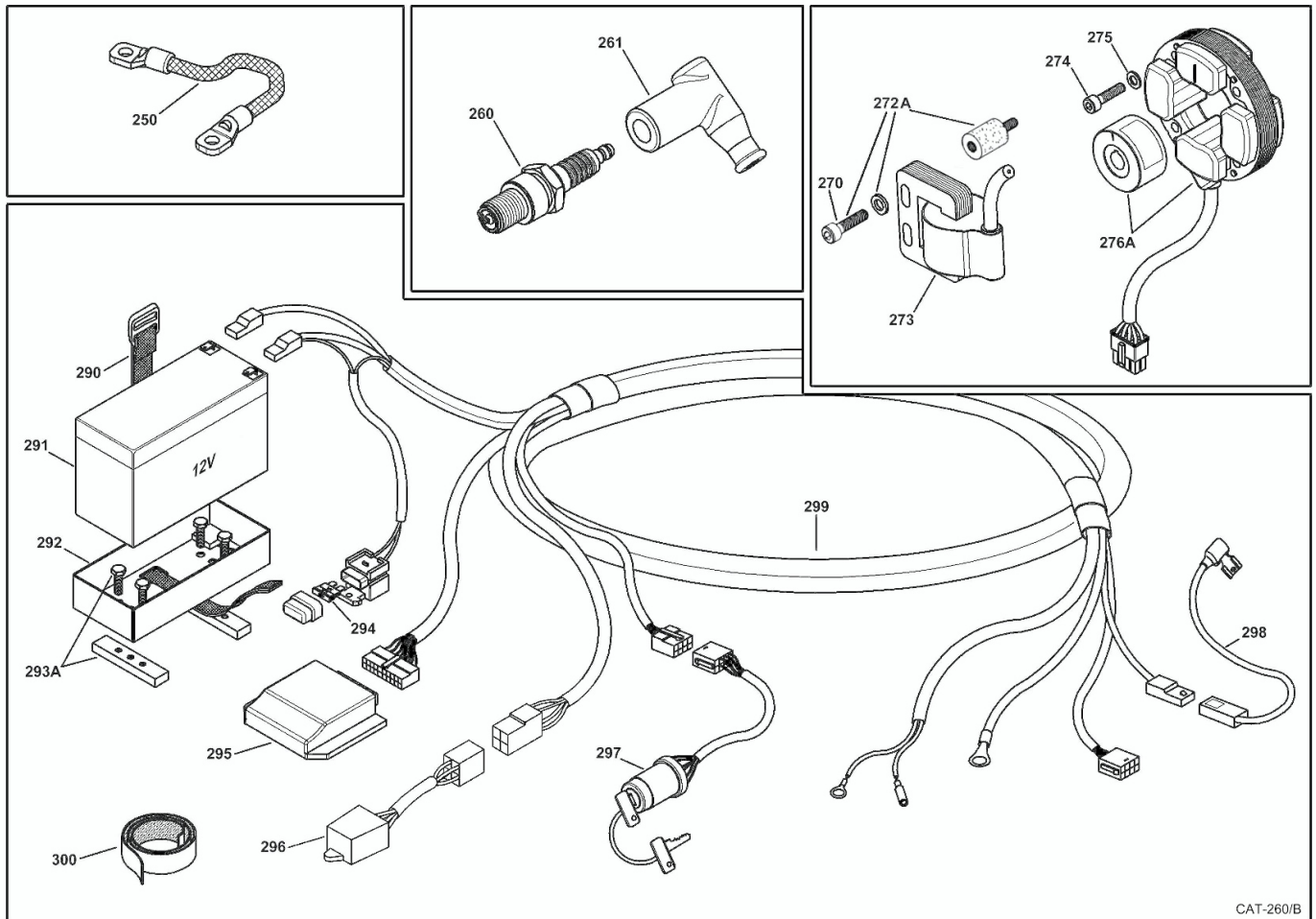


CAT-298

RICAMBI / SPARES

POS	COD	DESCR
136	B-75355	EXHAUST STUDBOLT 8x36
137	B-75360	EXHAUST GASKET
138	G-100365A	EXHAUST PIPE PV100-SWIFT'06
139	00332-K	KIT OF 20 ELAST.WASHERS M8
140	B-71662	8mm EXHAUST NUT
141	10711-B	FLEXIBLE L=13 cm.
142	10785	FLEXIBLE SPRING
142B	A-60735	FIBER STRIP FOR FLEX
146A	IAZ-125991	GASKET SET - DRAGON
150	00602	LIQUID GASKET AREXON

IGNITION AND ELECTRONIC DEVICE



RICAMBI / SPARES

POS	COD	DESCR
250	B-35805-A	COIL GROUND CABLE
260	10561-A	SPARK PLUG NGK BR10EG
261	10544	PVL SPARK CAP
270	00032-K	KIT OF 20 ALLEN SCREWS 5x20
272A	A-125520-C	COIL DAMPENER KIT
273	X30125955	SELETTRA COIL K
274	00034-K	KIT OF 20 ALLEN SCREWS 5x25
275	00301-K	KIT 20 WASHERS M5
276A	X30125950A	SELETTRA K IGNITION
290	A-60904A	FIXING STRIP FOR BATTERY
291	X30125900	SPARE PART FIAMM
292	X30125905	BATTERY SUPPORT
293A	X30125906-C	BATTERY SUPP.CLAMP W/SCREWS
294	X30125942	FUSIBLE 5A X30
295	X30125930AS	MINI POWER UNIT TYPE A
296	IFE-05200	STARTER RELAY n.t.
297	X30125936-C	STARTER KEY ASSEMBLY
298	A-60934A	STARTER CABLE
299	IFE-05000	KIT CABLES W/CONNECT.
300	X30125925	VELCRO FIXING STRAP

WATER COOLING SYSTEM

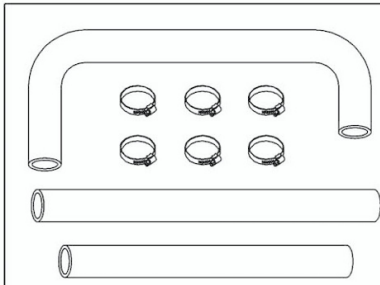


Fig. 550A
Kit n° T-8301A-C

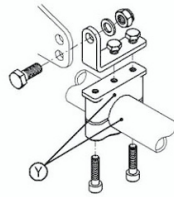


Fig. 555A

DIAMETRI - DIAMETERS
DIAMETRES

Y= 28mm : Kit n° T-8117-C
Y= 30mm : Kit n° T-8117-C1
Y= 32mm : Kit n° T-8117-C2

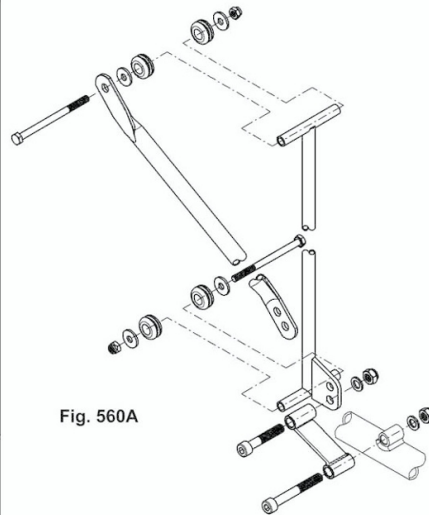


Fig. 560A

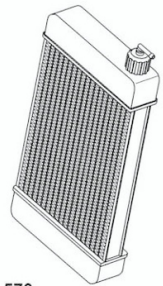
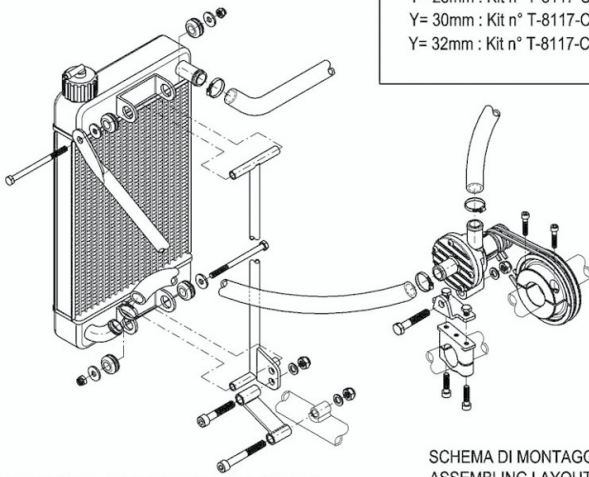


Fig. 570



Fig. 590A



IMPIANTO PER RAFFREDDAMENTO LIQUIDO
WATERCOOLED ENGINE DEVICE
EQUIPEMENT REFROIDISSEMENT LIQUIDE

SCHEMA DI MONTAGGIO
ASSEMBLING LAYOUT
SCHEMA DE MONTAGE

NOTE

Il gruppo POMPA comprende il SUPPORTO, la PULEGGIA e gli ANELLI di gomma.

The PUMP group includes CLAMP, PULLEY and rubber RINGS.

Le groupe POMPE comprend le SUPPORT, la POULIE et les COURROIES.

DIAMETRI - DIAMETERS - DIAMETRES

K=30mm + W=30mm : Kit n° T-8202-C

K=30mm + W=35mm : Kit n° T-8202-C1

K=30mm + W=40mm : Kit n° T-8202-C2

K=32mm + W=40mm : Kit n° T-8202-C3

K=32mm + W=35mm : Kit n° T-8202-C4

K=30mm + W=50mm : Kit n° T-8202-C5

K=32mm + W=50mm : Kit n° T-8202-C6

K=32mm + W=30mm : Kit n° T-8202-C7

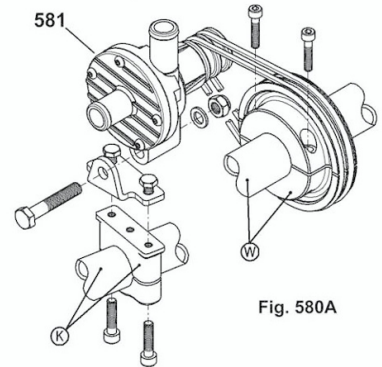


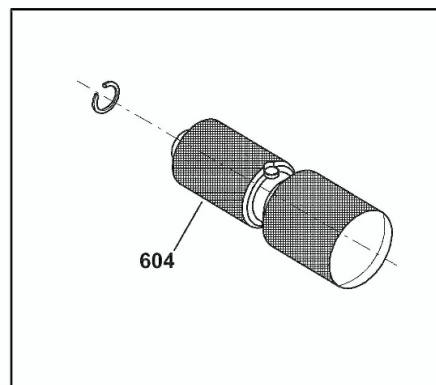
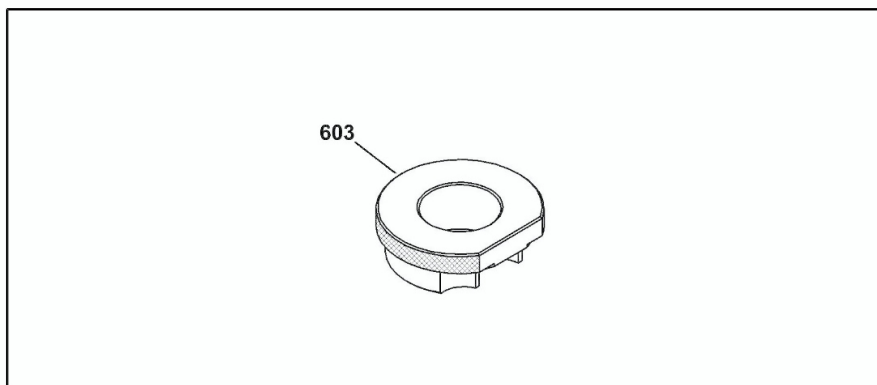
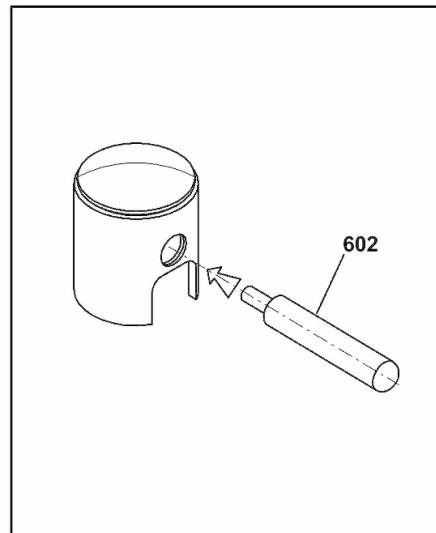
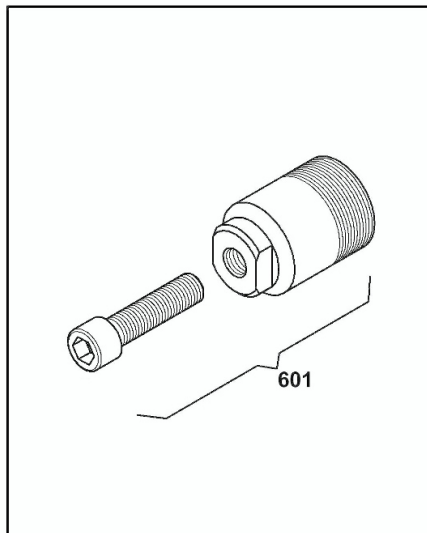
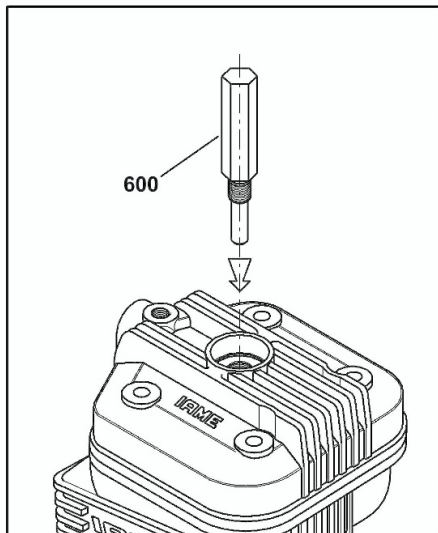
Fig. 580A

CAT-244/A

RICAMBI / SPARES

POS	COD	DESCR
550A	T-8301A-C	COMPLETE PIPE KIT n.t.
555A	T-8117-C	RADIATOR CLAMP KIT mm28
555A	T-8117-C1	RADIATOR CLAMP KIT mm30
555A	T-8117-C2	RADIATOR CLAMP KIT mm32
560A	T-8133-C	RADIATOR SUPPORT KIT
570	T-8000A	RADIATOR
580A	T-8202-C	PUMP GROUP mm30/30
580A	T-8202-C1	PUMP GROUP mm 30/35
580A	T-8202-C2	PUMP GROUP mm30/40 nt
580A	T-8202-C3	PUMP GROUP mm32/40
580A	T-8202-C4	PUMP GROUP mm 32/35
580A	T-8202-C5	PUMP GROUP mm 30/50
580A	T-8202-C6	PUMP GROUP mm32/50
580A	T-8202-C7	PUMP GROUP mm 32/30
581	T-8202	WATER PUMP n.t.
590A	T-8400-C	THERMOSTAT 50° COMPL.

PULLER & TOOLS

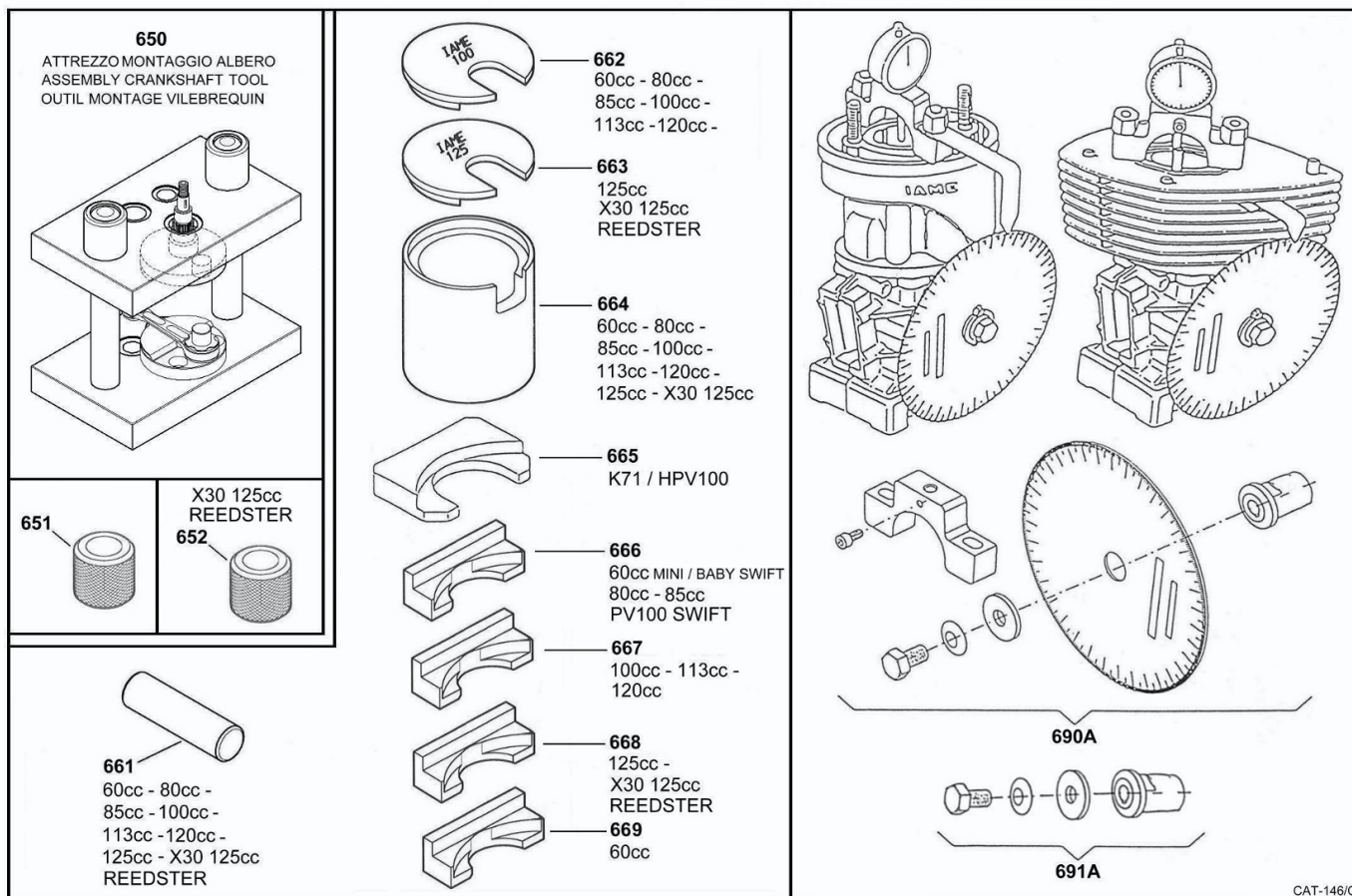


CAT-229

RICAMBI / SPARES

POS	COD	DESCR
600	10271	PISTON STROKE LOCKER
601	10272-C	CLUTCH PULLER
602	10200	PISTON PIN PUNCH 125cc
603	S884	STARTER DRIVE WHEEL HOLD. TOOL
604	10120	CIRCLIP ASSEMBLING TOOL

Cranksh.Ass./Disass. Timing control group



RICAMBI / SPARES

POS	COD	DESCR
650	10110A	ASS.CRANKSHAFT TOOL
652	10150A	CRANK-PIN BUSH mm20
661	10107	CRANK-PIN PULLER
663	10104A	CRANKSHAFT PLATE 125cc
664	10100	CRANK. DISASSEMBLING SUP.
668	10106	CRANKSHAFT INSERT 125cc
690A	10820A	TIMING GROUP TaG/REEDSTER
691A	10828-C	TAG COMPLETE TIMING GROUP