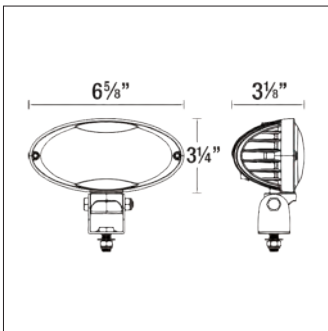


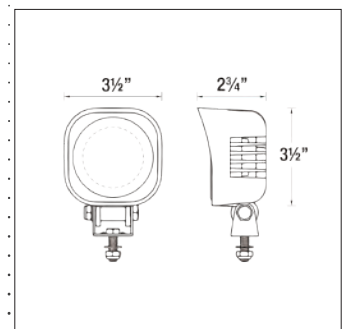
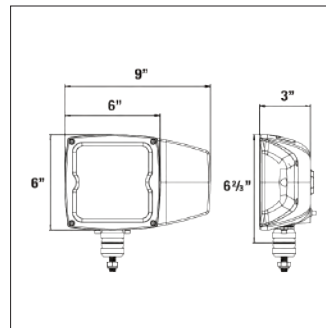


# PERFORMANCE LIGHTS LAMPES DE PERFORMANCE



**New Product Supplement  
Supplement des Nouveaux Produits**

**September 2018  
Septembre 2018**



## LED Snow Plow Lights (SAE/DOT Compliant LED Headlight)

6" x 6" (+3")

High Beam: **3,600 Lumens** | Low Beam: **1,800 Lumens**  
Heated Lens

Part No.	Function	Voltage	Amp Draw	Optimal Penetration	Pkg
<b>LWP6600</b>	High Beam / Low Beam / Turn Signal / Park	12V - 30V	High Beam: 3.2 @ 12V Low Beam: 1.6 @ 12V	High Beam: 1,600 ft Low Beam: 980 ft	Retail Box



Can be mounted on horizontal or vertical surface  
Deutsch Connectors (both female & male mating connectors)

- Lamp Dimension : 6" H x 6" W (+3" with turn signal light) x 3" D
- LED diode rated life: 50,000 hours (per manufacturer specifications)
- High UV resistant polyester powder coated black aluminum housing
- Tempered Glass lens
- Pressure relief vent

EMC IP67

**NOTE: Product comes with one Turn Signal Light that can be mounted left, right or top**

LEGAL ON ROAD USE

## Portable LED Lamp with Rechargeable Battery

For Off-Road Applications

6.25" x 6.25"

**1,300 Lumens**

Part No.	LED	Beam Pattern	Optimal Penetration	Pkg
<b>LWR4420</b>	20W COB	Wide Flood	250 ft	Retail Box

**LWR4420-M** - Magnetic Mount Lamp (LWR4420 + MA3000 magnet)

**LWS4020** - Additional Battery

**LWS2010** - Additional UL Certified AC/DC adaptor

**LWS2020** - Additional Car Charger



LWR4420



LWR4420-M

Dimmable LED Lamp with Power Reserve Indicator  
Detachable rechargeable battery + charger included  
Removable battery can be used as power bank to power USB devices  
Multi-position frame

- Lamp Dimension : 6.25" W x 6.24" L x 10" H
- LED diode rated life: 40,000 hours (per manufacturer specifications)
- Cast aluminum frame & ABS body
- Tempered Glass lens
- **Adjustable power setting extends battery life up to 12 hours**
- Battery can be charged using car charger or 110V AC/DC adaptor (**both included**)
- Battery Charging Time: 5 Hours
- Lamp can be operated while charging

CE IP65 RoHS

COB LED

3.5" x 3.5"

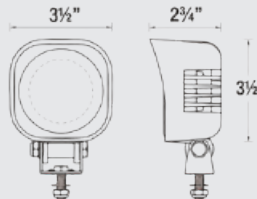
2,800 Lumens

Part No.	LED	Beam Pattern	Voltage	Amp Draw	Optimal Penetration	Pkg
LW1332	25W COB	Wide Flood	12V - 30V	2.0 @ 12V	350 ft	Color Box

COB LED for uniform light spread

- Lamp Dimension : 3-1/2" W x 3-1/2" H x 2-3/4" D
- LED diode rated life: 20,000 hours (per manufacturer specifications)
- High UV resistant polyester powder coated black aluminum housing
- Polycarbonate lens
- Adjustable stainless steel mounting bracket

EMC CISPR25 Class 3 IP68 & IP69K RoHS



4" x 4.75"

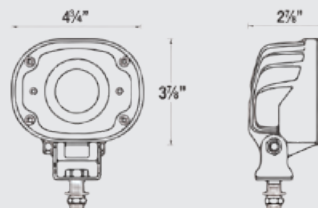
4,200 Lumens

Part No.	LED	Beam Pattern	Voltage	Amp Draw	Optimal Penetration	Pkg
LW1542	35W COB	Wide Flood	12V - 30V	3.0 @ 12V	425 ft	Color Box

COB LED for uniform light spread

- Lamp Dimension : 4-3/4" W x 3-7/8" H x 2-7/8" D
- LED diode rated life: 20,000 hours (per manufacturer specifications)
- High UV resistant polyester powder coated black aluminum housing
- Polycarbonate lens
- Adjustable stainless steel mounting bracket
- Pressure relief vent

EMC CISPR25 Class 3 IP68 & IP69K RoHS



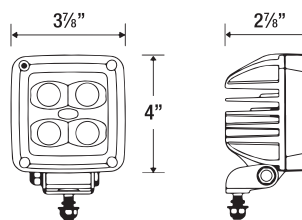
4" x 4"

4,000 Lumens

Part No.	LED	Beam Pattern	Voltage	Amp Draw	Optimal Penetration	Pkg
LW4432	4 x 10W	Wide Flood	12V - 30V	2.5 @ 12V	425 ft	Color Box

- Lamp Dimension : 3-7/8" W x 4" H x 2-7/8" D
- LED diode rated life: 20,000 hours (per manufacturer specifications)
- High UV resistant polyester powder coated black aluminum housing
- Polycarbonate lens
- Adjustable stainless steel mounting bracket

EMC CISPR25 Class 3 IP68 & IP69K RoHS



COB LED

4.75" x 4"

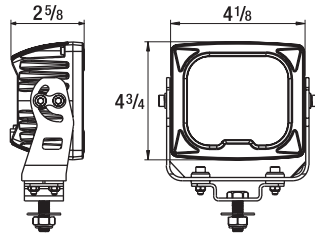
5,400 Lumens



Part No.	LED	Beam Pattern	Voltage	Amp Draw	Optimal Penetration	Pkg
	36 x 1.2W	Flood	9V - 36V	3.5 @ 12V	650 ft	Color Box

**LW4422** - Flood Lamp with Polycarbonate Lens

**LW4422H** - Flood Lamp with Auto ON/OFF Heated Lens (Tempered Glass)



**Electronic Thermal Management to prevent light from overheating**  
**Built-In Deutsch Connectors (both female & male mating connectors)**

- Lamp Dimension : 4-3/4" W x 4-1/8" H x 2-5/8" D
- LED diode rated life: 50,000 hours (per manufacturer specifications)
- High UV resistant polyester powder coated black aluminum housing
- Adjustable shock absorbing stainless steel mounting bracket
- Pressure Relief Vent

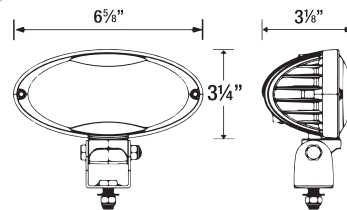
EMC CISPR25 Class 5 IP68 & IP69K

3.25" x 6.5"

2,880 Lumens



Part No.	LED	Beam Pattern	Voltage	Amp Draw	Optimal Penetration	Pkg
<b>LW2732</b>	8 x 5W	Wide Oval Flood	12V - 30V	3.0 @ 12V	300 ft	Color Box



- Lamp Dimension : 6-5/8" W x 3-1/4" H x 3-1/8" D
  - LED diode rated life: 20,000 hours (per manufacturer specifications)
  - High UV resistant polyester powder coated black aluminum housing
  - Polycarbonate lens
  - Adjustable stainless steel mounting bracket
  - Pressure relief vent
  - Built-in Sealed Connector (9006)
- Made to retrofit JDM Ref: RE573609

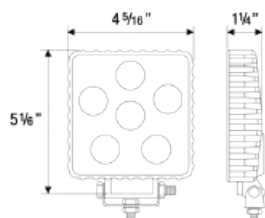
EMC CISPR25 Class 3 IP68 & IP69K RoHS

5" x 4.25"

1,440 Lumens



Part No.	LED	Beam Pattern	Voltage	Amp Draw	Optimal Penetration	Pkg
<b>LW4252</b>	6 x 3W	Flood	10V - 30V	1.3 @ 12V	270 ft	Box



- Lamp Dimension : 4-5/16" W x 5-1/8" H x 1-1/4" D
- LED diode rated life: 30,000 hours (per manufacturer specifications)
- High UV resistant polyester powder coated black aluminum housing
- Acrylic lens
- Adjustable stainless steel mounting bracket

EMC IP67 RoHS

4.25" Round

1,755 Lumens

Part No.	LED	Beam Pattern	Voltage	Amp Draw	Optimal Penetration	Pkg
<b>LW4222-M</b>	9 x 1.5W OSRAM	Wide Flood	10V - 30V	1.2 @ 12V	500 ft	Box

Cigarette Adapter  
Magnetic Base Mount

- Lamp Dimension : 4-1/4" Dia x 4-7/8" H (5-5/8" H w/ magnet) x 1-5/8" D
- LED diode rated life: 30,000 hours (per manufacturer specifications)
- High UV resistant polyester powder coated black aluminum housing
- Polycarbonate lens

EMC IP67 RoHS



Magnetic Mounts

4.5" x 6"

2,900 Lumens

Part No.	LED	Beam Pattern	Voltage	Amp Draw	Optimal Penetration	Pkg
<b>LW6042-M</b>	15 x 1.5W OSRAM	Flood	10V - 30V	2.1 @ 12V	500 ft	Box

Cigarette Adapter  
Magnetic Base Mount

- Lamp Dimension : 6" W x 4-1/2" H (5-1/4 H w/ magnet) x 1-1/2" D
- LED diode rated life: 30,000 hours (per manufacturer specifications)
- High UV resistant polyester powder coated black aluminum housing
- Polycarbonate lens

EMC IP69K RoHS

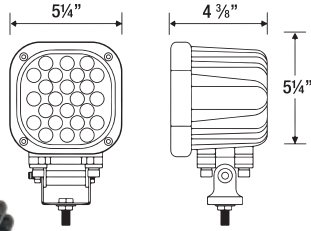


5.25" x 5.25"

7,800 Lumens



Part No.	LED	Beam Pattern	Voltage	Amp Draw	Optimal Penetration	Pkg
<b>LW5542</b>	24 x 5W	Wide Flood	12V - 60V	6.5 @ 12V	450 ft	Color Box



**Built-In Deutsch Connectors (both female & male mating connectors)**  
**Adjustable shock absorbing stainless steel mounting bracket**

- Lamp Dimension : 5-1/4" W x 5-1/4" H x 4-3/8" D
- LED diode rated life: 20,000 hours (per manufacturer specifications)
- High UV resistant polyester powder coated black aluminum housing
- Polycarbonate lens
- Pressure relief vent

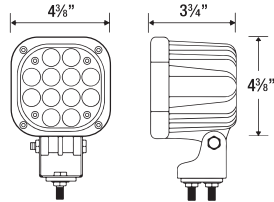
EMC    CISPR25 Class 3    IP68 & IP69K    RoHS

4.25" x 4.25"

4,800 Lumens



Part No.	LED	Beam Pattern	Voltage	Amp Draw	Optimal Penetration	Pkg
<b>LW4442</b>	12 x 5W	Wide Flood	12V - 60V	3.5 @ 12V	350 ft	Color Box



**Built-In Deutsch Connectors (both female & male mating connectors)**  
**Heavy duty dual bolt system**

- Lamp Dimension : 4-3/8" W x 4-3/8" H x 3-3/4" D
- LED diode rated life: 20,000 hours (per manufacturer specifications)
- High UV resistant polyester powder coated black aluminum housing
- Polycarbonate lens
- Adjustable stainless steel mounting bracket
- Pressure relief vent

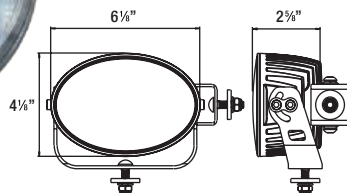
EMC    CISPR25 Class 3    IP68 & IP69K    RoHS

4" x 6"

6,600 Lumens



Part No.	LED	Beam Pattern	Voltage	Amp Draw	Optimal Penetration	Pkg
<b>LW2642</b>	6 x 10W	Flood	12V - 60V	3.9 @ 12V	800 ft	Color Box



**Electronic Thermal Management to prevent light from overheating**  
**Built-In Deutsch Connectors (both female & male mating connectors)**

- Lamp Dimension : 6-1/8" W x 4-1/8" H x 2-5/8" D
- LED diode rated life: 50,000 hours (per manufacturer specifications)
- High UV resistant polyester powder coated black aluminum housing
- Polycarbonate lens
- Adjustable stainless steel mounting bracket
- Pressure relief vent

EMC    CISPR25 Class 4    IP68 & IP69K

5.25" x 5.25"

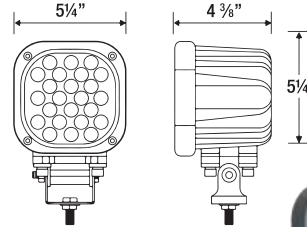
7,800 Lumens

Part No.	LED	Beam Pattern	Voltage	Amp Draw	Optimal Penetration	Pkg
LW5543	24 x 5W	Spot	12V - 60V	6.5 @ 12V	1,500 ft	Color Box

**Built-In Deutsch Connectors (both female & male mating connectors)**  
**Adjustable shock absorbing stainless steel mounting bracket**

- Lamp Dimension : 5-1/4" W x 5-1/4" H x 4-3/8" D
- LED diode rated life: 20,000 hours (per manufacturer specifications)
- High UV resistant polyester powder coated black aluminum housing
- Polycarbonate lens
- Pressure relief vent

EMC CISPR25 Class 3 IP68 & IP69K RoHS



4.25" x 4.25"

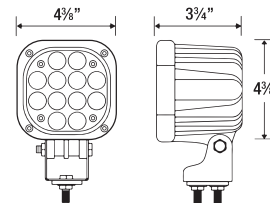
4,800 Lumens

Part No.	LED	Beam Pattern	Voltage	Amp Draw	Optimal Penetration	Pkg
LW4443	12 x 5W	Spot	12V - 60V	3.5 @ 12V	1,100 ft	Color Box

**Built-In Deutsch Connectors (both female & male mating connectors)**  
**Heavy duty dual bolt system**

- Lamp Dimension : 4-3/8" W x 4-3/8" H x 3-3/4" D
- LED diode rated life: 20,000 hours (per manufacturer specifications)
- High UV resistant polyester powder coated black aluminum housing
- Polycarbonate lens
- Adjustable stainless steel mounting bracket
- Pressure relief vent

EMC CISPR25 Class 3 IP68 & IP69K RoHS



**Auxiliary High Beam Lamp (ECE R-112 Approved Driving Lamp)**

4" x 6"

6,600 Lumens

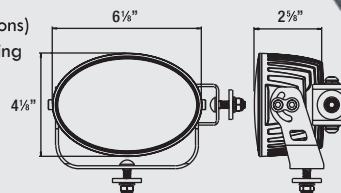
Part No.	LED	Beam Pattern	Voltage	Amp Draw	Optimal Penetration	Pkg
LW2643	6 x 10W	Spot	12V - 60V	3.9 @ 12V	2,050 ft	Color Box

**Auxiliary High Beam Lamp - meets standards of European Union Regulation ECE R-112 for Legal in Canada highway use**

**Electronic Thermal Management to prevent light from overheating**  
**Built-In Deutsch Connectors (both female & male mating connectors)**

- Lamp Dimension : 6-1/8" W x 4-1/8" H x 2-5/8" D
- LED diode rated life: 50,000 hours (per manufacturer specifications)
- High UV resistant polyester powder coated black aluminum housing
- Polycarbonate lens
- Adjustable stainless steel mounting bracket
- Pressure relief vent

EMC CISPR25 Class 4 IP68 & IP69K



**LEGAL ON ROAD USE**



“Bringing Lights to the Next Level”



**RGB LEDs are red, blue and green LEDs**

By combining the 3 colours and the use of a controller, there are endless possibilities of colour combinations and light patterns. RGB Light can be set to music rhythm.



**Easy to Use Controller**



Remotely operated by IOS or Android smartphone via Bluetooth and “LedBle” App

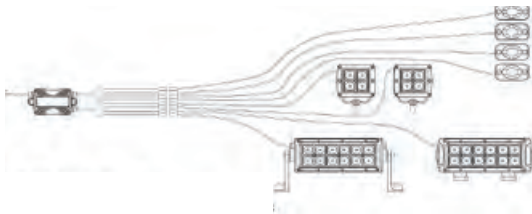


Figure 1 & 2: Operate multiple lamps using a single controller

**RGB Mini Lamp**  
Colour changing mini LED lamp



**Square LED Work Lamp with RGB LEDs**  
Dual Function:  
Flood / Spot White Beam; or  
RGB Colour Changing Beam



**Double Row LED Light Bars with RGB LEDs - 8" L to 52" L**

Dual Function:  
Flood/Spot Combo White Beam or RGB Colour Changing Beam



## Double Row LED Light Bars



Part No.	Length	Lumens	LEDs	Beam	White Beam Optimal Penetration#	Amp Draw
<b>RGB90705</b>	8"	2,280	18W (12 x 1.5W OSRAM) + RGB LEDs	Spot	1,400 ft	2 @ 12V
<b>RGB91305</b>	14"	4,560	36W (24 x 1.5W OSRAM) + RGB LEDs	Flood/Spot	1,750 ft	4 @ 12V
<b>RGB92105</b>	22"	7,600	60W (40 x 1.5W OSRAM) + RGB LEDs	Flood/Spot	2,200 ft	6 @ 12V
<b>RGB93105</b>	32"	11,400	90W (60 x 1.5W OSRAM) + RGB LEDs	Flood/Spot	2,600 ft	9 @ 12V
<b>RGB94105</b>	42"	15,200	120W (80 x 1.5W OSRAM) + RGB LEDs	Flood/Spot	2,800 ft	12 @ 12V
<b>RGB95205</b>	52"	19,760	144W (96 x 1.5W OSRAM) + RGB LEDs	Flood/Spot	3,000 ft	21 @ 12V

# calculated per ANSI/NE MA FL-1

- ♦ Lamp Dimension without mounting brackets : 3-1/8" H x 2-5/8" D Stud Size : 8mm
- ♦ White LED diode rated life : 30,000 hours (*per manufacturer specifications*)
- ♦ Aluminium housing in black high UV resistant polyester powder coated body, Polycarbonate Lens
- ♦ Pressure Relief Vent
- ♦ Dual Mount System : Side Brackets included, Bottom Brackets sold separately (Part No. LWM5010)  
Adjustable Mounts allow for Flexible Aiming of Beam. Bottom mount channel allows mounting at any point.
- ♦ Each light bar comes with 2 wires : 1.5 ft wire with sealed connector for use with Plug & Go Harness (PT1802 & PT1822) & 12 ft wire with sealed connector for use with RGB Controller (RGB-CR04 & RGB-CR08)  
18 ft Plug & Go Harness with in dash on/off Switch, Relay & Fuse available & sold separately  
PT1802 for RGB90705, RGB91305, RGB92105 & RGB93105. PT1822 for RGB94105 & RGB95005
- ♦ IP69K RoHS 10V to 30V applications
- ♦ Tamper proof hardware kit available & sold separately (Part No. LWM9090)

*Extension wire may be required. Please make sure you have sufficient wire for your particular application. (See Pg.11)*

**SCORCH RGB series with Plug & Go Harness (PT1802 or PT1822) also available. When ordering light bar with harness included, please add "K" after part number - RGB9xx05K.**

### LED Performance Lights

3" x 3.25"

1,080 Lumens .

4 x 3W CREE LEDs + RGB LEDs

Part No.	Beam	Voltage	Amp Draw	White Beam Optimal Penetration	Pkg
<b>RGB0302</b>	Flood	12V - 30V	1.0 @ 12V	500 ft	Box
<b>RGB0303</b>	Spot	12V - 30V	1.0 @ 12V	850 ft	Box



- ♦ Lamp Dimension : 3-1/4" W x 3" H (3-1/2" H mounted) x 3-1/4" D Stud Size : 8mm
- ♦ White LED diode rated life : 30,000 hours (per manufacturer specifications)
- ♦ High UV resistant polyester powder coated black aluminium housing, Polycarbonate Lens
- ♦ Multiple positions mounting brackets with hardware
- ♦ Each lamp comes with 2 wires : 1.5 ft wire for white beam and 12 ft wire with sealed connector for use with RGB Controller (RGB-CR04 & RGB-CR08)
- ♦ Reverse voltage protection. Hi/Low voltage input protection.
- ♦ Corrosion protection tested to ASTM B117 standard. IP67 RoHs 10V to 30V applications

*Extension wire may be required. Please make sure you have sufficient wire for your particular application. (See Pg.11)*

#### Mini RGB Lamp (RGB Rock Lamp)

Part No.	Beam	Voltage	Amp Draw	Pkg
<b>RGB3017P</b>	RGB	12V - 30V	0.1 @ 12V	Retail Bag
<b>RGB3017-4</b>	Package of 4 x RGB3017			Box
<b>RGB3017-4K</b>	Package of 4 x RGB3017 + 1 x RGB-CR04 Controller			Box



- ♦ Lamp Dimension : 3-1/16" W x 1-3/4" H x 1/2"D
- ♦ Diecast aluminium housing, Polycarbonate Lens
- ♦ Surface screw mount. Corrosion protection tested to ASTM B117 standard.
- ♦ 12 ft wire with sealed connector for use with RGB Controller (RGB-CR04 & RGB-CR08)
- ♦ Reverse voltage protection IP69K RoHs 10V to 30V applications

**RGB rock lamps mounted in wheel wells are not covered by warranty.**

#### Polycarbonate Covers for RGB Lamps

Part No	Color	Part No	Color	For Use with	Pkg
<b>LWCR906-BKP</b>	Black	<b>LWCR906-CRP</b>	Clear	RGB90705	Bag
<b>LWCR906-2BKP</b>	Black	<b>LWCR906-2CRP</b>	Clear	RGB91305	Bag
<b>LWCR9068-3BKP</b>	Black	<b>LWCR9068-3CRP</b>	Clear	RGB92105	Bag
<b>LWCR9086-4BKP</b>	Black	<b>LWCR9086-4CRP</b>	Clear	RGB93105	Bag
<b>LWCR908-5BKP</b>	Black	<b>LWCR908-5CRP</b>	Clear	RGB94105	Bag
<b>LWCR9086-7BKP</b>	Black	<b>LWCR9086-7CRP</b>	Clear	RGB95205	Bag
<b>LWCR0300-BKP</b>	Black	<b>LWCR0300-CRP</b>	Clear	RGB0302 & RGB0303	Bag

## Accessories for RGB Lights

### RGB Controllers & Extension Cables



Part No.	Description	Pkg
<b>RGB-CR04</b>	RGB Controller for 4 Lamps - 40" overall length, IP67	Box
<b>RGB-CR08</b>	RGB Controller for 8 Lamps - 40" overall length, IP67	Box
<b>RGB-W06</b>	6.6 ft RGB Extension Wire with Connectors	Bag
<b>RGB-W10</b>	10.5 ft RGB Extension Wire with Connectors	Bag



### Suggested Kits

Kit Part No.	Lamp Kit consisting of:
<b>RGBK-4B **</b>	2 x RGB0302 Flood Lamps 1 x RGB90705 1 x RGB-CR04 Controller 1 x PT1802 Harness
<b>RGBK-4C **</b>	2 x RGB0302 Flood Lamps 1 x RGB91305 1 x RGB-CR04 Controller 1 x PT1802 Harness
<b>RGBK-4D **</b>	2 x RGB0302 Flood Lamps 1 x RGB92105 1 x RGB-CR04 Controller 1 x PT1802 Harness

Kit Part No.	Lamp Kit consisting of:
<b>RGBK-8A **</b>	4 x RGB3017 RGB Rock Lamps 2 x RGB0302 Flood Lamps 1 x RGB91305 1 x RGB95205 1 x RGB-CR08 Controller 1 x PT1802 Harness 1 x PT1822 Harness
<b>RGBK-8B **</b>	4 x RGB3017 RGB Rock Lamps 2 x RGB0302 Flood Lamps 1 x RGB-CR08 Controller

**\*\* Extension wire may be required.**  
Please make sure you have sufficient wire for your particular application.