

# 3800 H4

- combination drive light E-approved, SAE and ASAE
- high/low beam, pilot light, turn signal and repeater
- available in right hand traffic and left hand traffic



**ABL**

**OE Approved**  
Heavy Duty Lighting Product



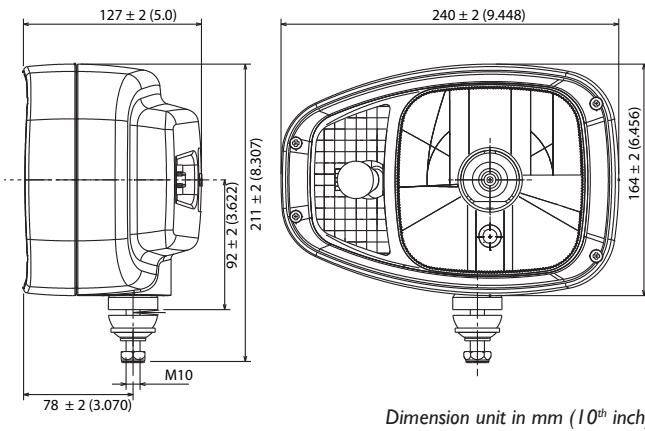
# 3800 H4

The 3800 H4 combination drive light is SAE/ECE approved for on-road and off-road vehicles. Along with numerous mounting operations, this light incorporates a moisture-eliminating breather, pilot light, and an optional side repeater.

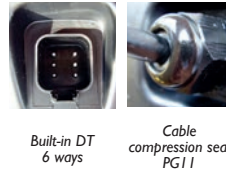
## Specifications

Bulb	H4 - PV21 and W5W
Light pattern	ECE R112 High / Low Beam ECE R6 Turn Signal and repeater ECE R7 Pilot Light SAE FMVSS108 ANSI/SAE S279.14
Voltage	12V, 24V
Intensity	2,92 Amp @ 24V (Low Beam)
Water Tightness	IP 66 - IP 69K
Operating Temp	-40°C to +85°C
Salt Spray	ISO 9227
Housing	black fibre reinforced plastic
Lens	hardened glass lens

## Dimensions



## Connection



## Mounting

